

# P R E F A C E

1. This Parts Catalog carries Yanmar crawler back-hoe Vio20-2.

2. Parts catalog history

	Parts catalog NO.	Published	Remarks
1st edition	000Y00K3760	Oct., 2000	Disuse old edition
1st revised	000Y00K3761	Sep., 2001	Disuse old edition
2nd revised	000Y00K3762	Oct., 2003	

3. Model name

SECTION	Column	Model name	M/#	Manufactured
I (Vehicle)	(A)	Vio20-2 C(JP)	20501~	2000/7~
	(B)	Vio20-2 P(JP)		
	(D)	Vio20-2 P(EX)		
II (Engine)	(A)	3TNE74-ENBV	N04801~	2000/5~

(Note) C:Cabin spec. P:Canopy spec. JP:Japan EX:export except U. S. A. & Australia

4. Your understanding is asking that this parts catalog is not a technical data manual setting forth as servicing procedures, This parts catalog is using simplified illustration. Be sure to use Yanmar Genuine Parts in your maintenance servicing of Yanmar products. Be careful not to use the simple parts available in the market, otherwise their use in repairing causes such as an early breakage, for instance.

## How to read this Parts Catalog.

1. Parts mentioned in Parts Catalog may not necessarily be standard equipping parts
2. Parts change may be made without prior notice.
3. Form of this Parts Catalog.

REF.	LEV.	PARTS No.	DESCRIPTION	QTY						I	R
				(A)	(B)	(C)	(D)	(E)	(F)		
1		729595-51390	FUEL INJECTION PUMP		1	1	1	1	1		
1-1	1	729595-51391	FUEL INJECTION PUMP	1	1	1	1	1	1	N	1
		(A=E00185) (B=E00200)									
3	2	26022-060162	SCREW M 6X16	9	9	9	9	9			
1 3-1	2	26022-060162	SCREW M 6X16	4	4	4	4	4		K	
		(A=E00156) (B=E00156) (C=E00156) (D=E00156) (E=E00156)									
4	2	129470-51040	CAMSHFT	9	9	9	9	9			
5	2	122710-51050	BEARING. ROLLER	9	9	9	9	9			
6	2	129470-51060	RETAINER	9	9	9	9	9			

Remarks	
(1)	BOOST COMPENSATOR TYPE. OPTIONAL PART. TO E#00155 (4JH-DT, 4JH-DTZ)

### ①Ref. No.

The Ref. No. in the list may not be in accordance with the Ref. No. on illustration.

(Ex.) illustration No. List heed No.

1 1 (Before change) → 1-1 (After change)

When interchangeable symbol N, and k, illustrations for the new parts are sometimes omitted.

### ②Lev. (Level)

Indication and Meaning of Level

Level Hereunder is given the relation among the number of number (1,2,3) the level and the nominal parent-child relationship.

1 ---- Parent parts (Assembly parts)

2 ---- Child parts included in " 1 " (Semi-Assembly parts, component parts of Assembly parts.)

3 ---- Child parts included in " 2 ", Grand-child parts in terms of " 1 ".

(Component parts of Semi-Assembly parts.)

Note) A parts of non-sale parts are illustrated but not listed.


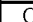


### ③Change Mark

Change Mark " I " is given to the part for which a design change was made at this time.

The design change was not shown in the last published Parts Catalog.

### ④Interchangeability Mark

In the case where a part change took place, one of the following interchangeability marks is indicated for that part

Symbol	Interchangeability	Contents note
N	Old ←  New	New Part is interchangeable for Old Part but not interchangeable conversely.
Q	Old ←  New	New Part is not interchangeable for Old Part but interchangeable conversely.
R	Old ←  New	New Part is interchangeable for Old Part and vice versa.
S	Old ←  New	New Part is not interchangeable for Old Part and vice versa.
W		Part newly added.
Z		Part discontinued.
F		Not interchangeable single part but interchangeable by set of the related parts.
K		Changed only in quantity used.

### ⑤Effective Machine No.

When a part is changed, Effective Machine No. of a Model for which the part is applicable is indication

In each column of (A)-(F).

Product Symbol	Product No.	Product Symbol	Product No.
C	Clutch No, Compressor No,	M	Machine No,
D	Drive No,	T	Tractor No,
E	Engine No,	Note 1)※	Date

Note 1) Date may follow the symbol in some cases. (Ex.) ※1996.01

Note 2) As far as engine models shown by " XXX " are concerned, the modification of the parts could not be Predicted or the engine models themselves could not be identified.

Note 3) (A=E/#00185) means that the design change on the part has been effective for the model at the, column (A) (in the case, for 4JH-DT) on and from E/#(Engine Serial Number) 00185

### ⑥Remarks Mark

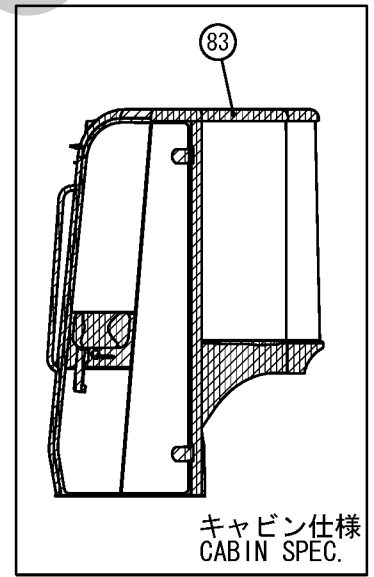
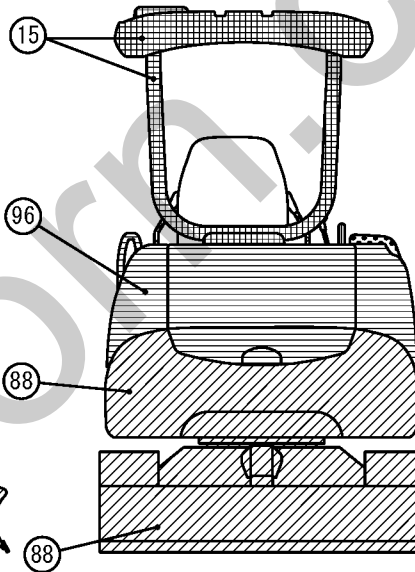
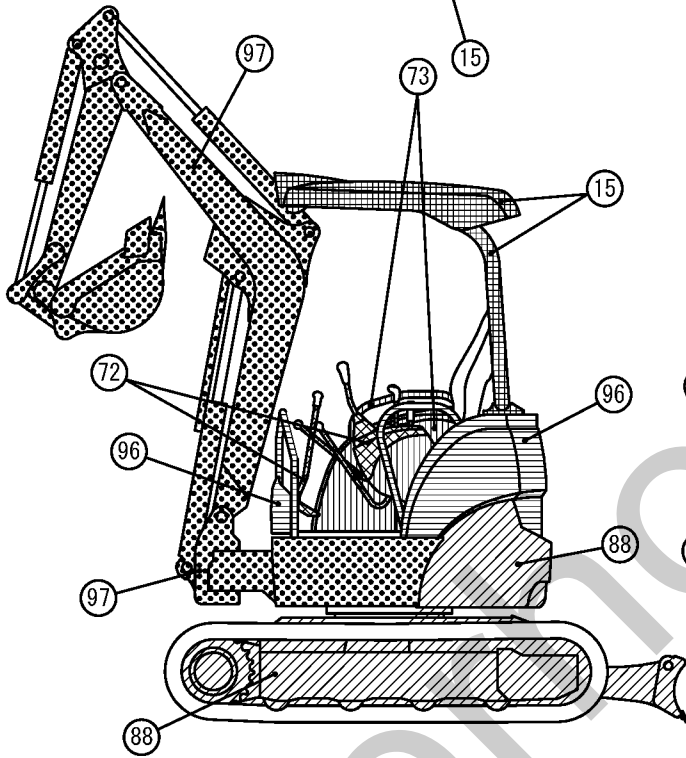
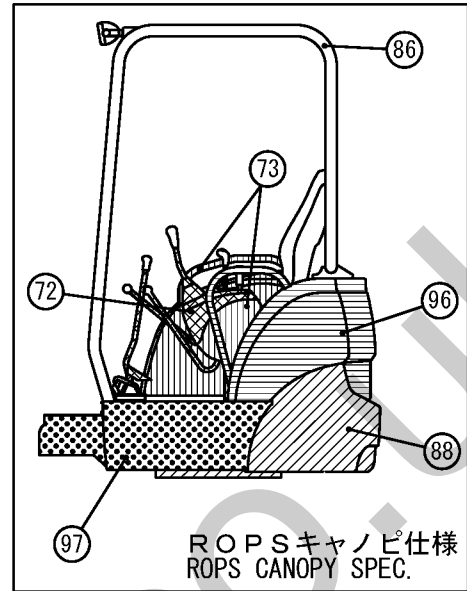
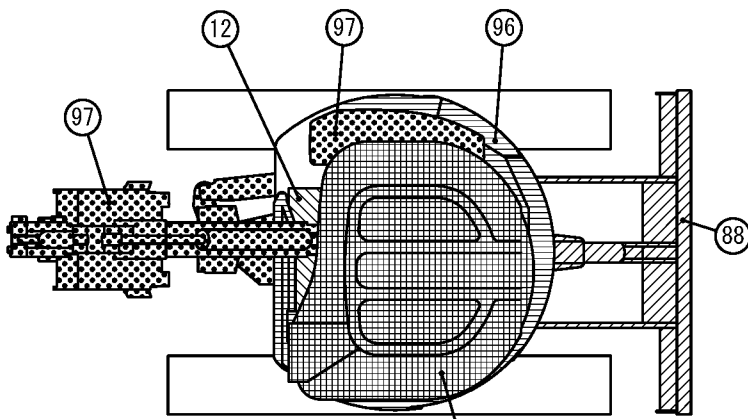
Figures or alphabets (Symbols) are entered in the remark column.

The comments (remarks) on the pertinent parts are indicated in the lower part of the list by the same symbols a those stated above.

# SPECIFICATIONS

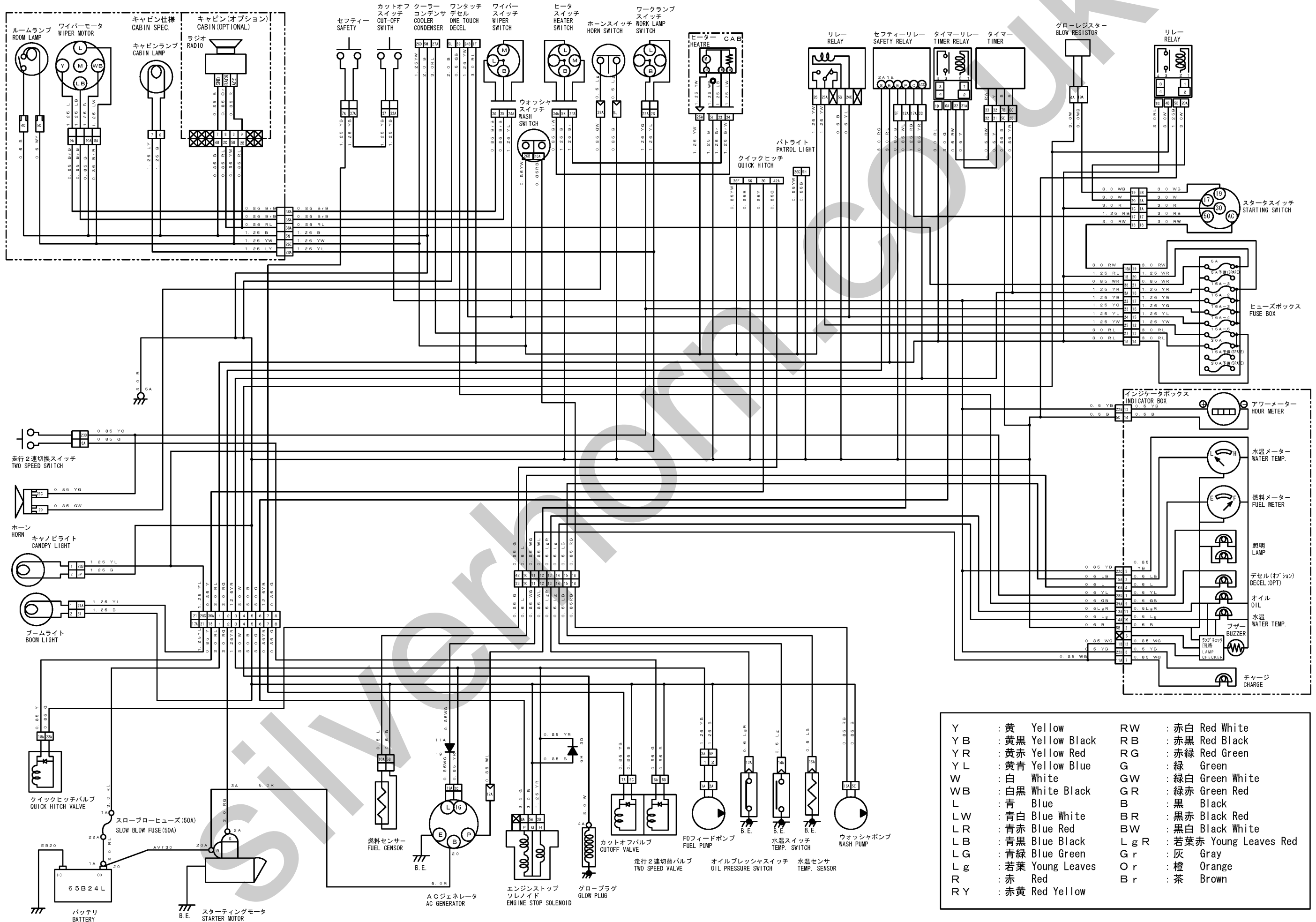
Name		YANMAR CRAWLER BACKHOE					
Model		Vio20-2					
Specification		IRON CRAWLER			RUBBER CRAWLER		
		CANOPY	CABIN		CANOPY	CABIN	
Engine	Model	3TNE74-ENBV					
	Bore × Stroke	74 × 78					
Dimensions	Transport length	mm	3865				
	Transport width	mm	1380				
	Transport height	mm	2340	2460	2340	2460	
Std. bucket capacity		m <sup>3</sup>	0.066				
Std. bucket width (Outside)		mm	490				
Max. digging depth		mm	2300 (W/BLADE2480)				
Max. cutting height		mm	4080	3850	4080	3850	
Max. dump height		mm	2800	2590	2800	2590	
Max. reach at ground level		mm	4140				
Min. swing radius (Swing)		mm	1600 (1360)	1760 (1500)	1600 (1360)	1760 (1500)	
Boom swing angle		degree	Left47 · Right75				
Max. digging force (Std. bucket)		kN (kgf)	18.6 (1800)				
Travel speed (High/Low)		km/h	4.4/2.2				
Swing speed		min <sup>-1</sup> (rpm)	9.5				
Average ground pressure (Std. shoe)		kPa (kgf/cm <sup>2</sup> )	24.7 (0.25)	26.2 (0.27)	24.7 (0.25)	26.2 (0.27)	
Track shoe width (Std.)		mm	250				
Blade	Width × height	mm	1380 × 285				
	Raise (Up/Down)	mm	370/340				
Machine mass		kg	1960	2100	1960	2100	
Battery		65B24L/12V, 40Ah (5Hr)					

# 本機塗装色 VEHICLE PAINTED COLOR

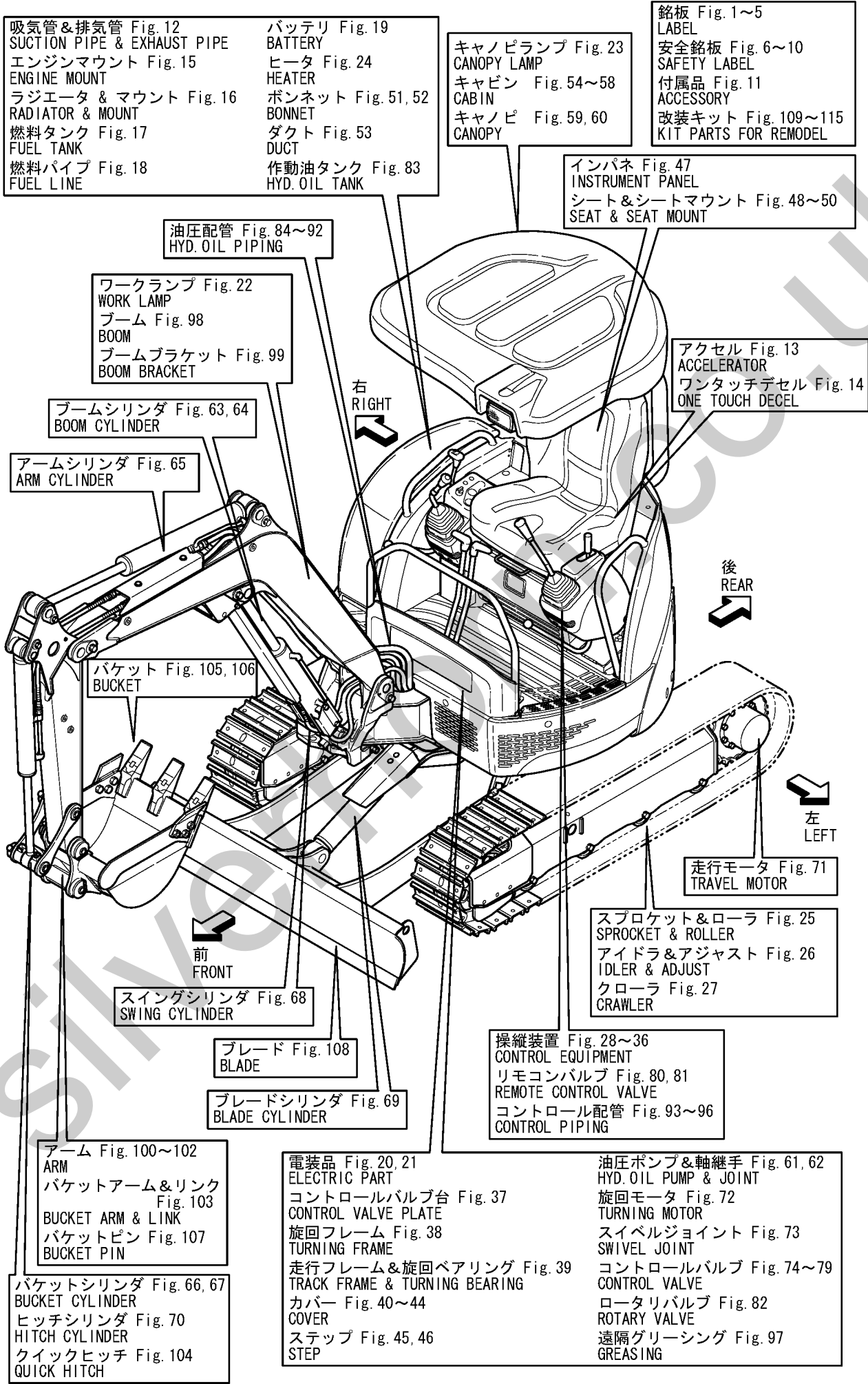


色区分 Color Code	表示 Desc- ription	塗装色 Painted Color	マンセル記号 Munsel No.	塗料部品番号 (Paint Part No.)		
				16L缶 (16L Can)	4L缶 (4L Can)	スプレー (SPRAY)
88		ヤンマー新ディーブグリーン YANMAR New Deep Green	0. 6B2. 2/4. 2	981101-09588	977620-40880	977620-30881
97		ヤンマーピーコックグリーン YANMAR Peacock Green	3. 85B65. 31/9. 15	981101-09597	977620-40970	977620-30971
96		ヤンマーシトラスグリーン YANMAR Citrus Green	4. 84GY8. 42/6. 99	981101-09599	977620-40990	977620-30991
72		ヤンマーダークオリーブグレー YANMAR Dark Olive Gray	5. 39Y2. 92/0. 78	-----	977620-40720	TOR-90460003
15		ナチュラルホワイト Natural White	1. 38GY7. 15/0. 48	-----	-----	977620-30301
73		ヤンマーウォームグレー YANMAR Warm Gray	7Y5. 3/0. 8	-----	-----	TOR-90450003
12		ヤンマーブラック YANMAR Black	4. 90PB0. 08/0. 41	-----	TOR-91220001	TOR-90220003
86		ヤンマー新グレイッシュグリーン YANMAR New Grayish Green	2. 62BG4. 76/2. 87	981101-09616	977620-40860	977620-30861
83		ヤンマーグレイッシュグリーン YANMAR Grayish Green	2. 14G 4. 87/1. 52	981101-09615	977620-40830	977620-30N41

# 配線図 WIRING DIAGRAM



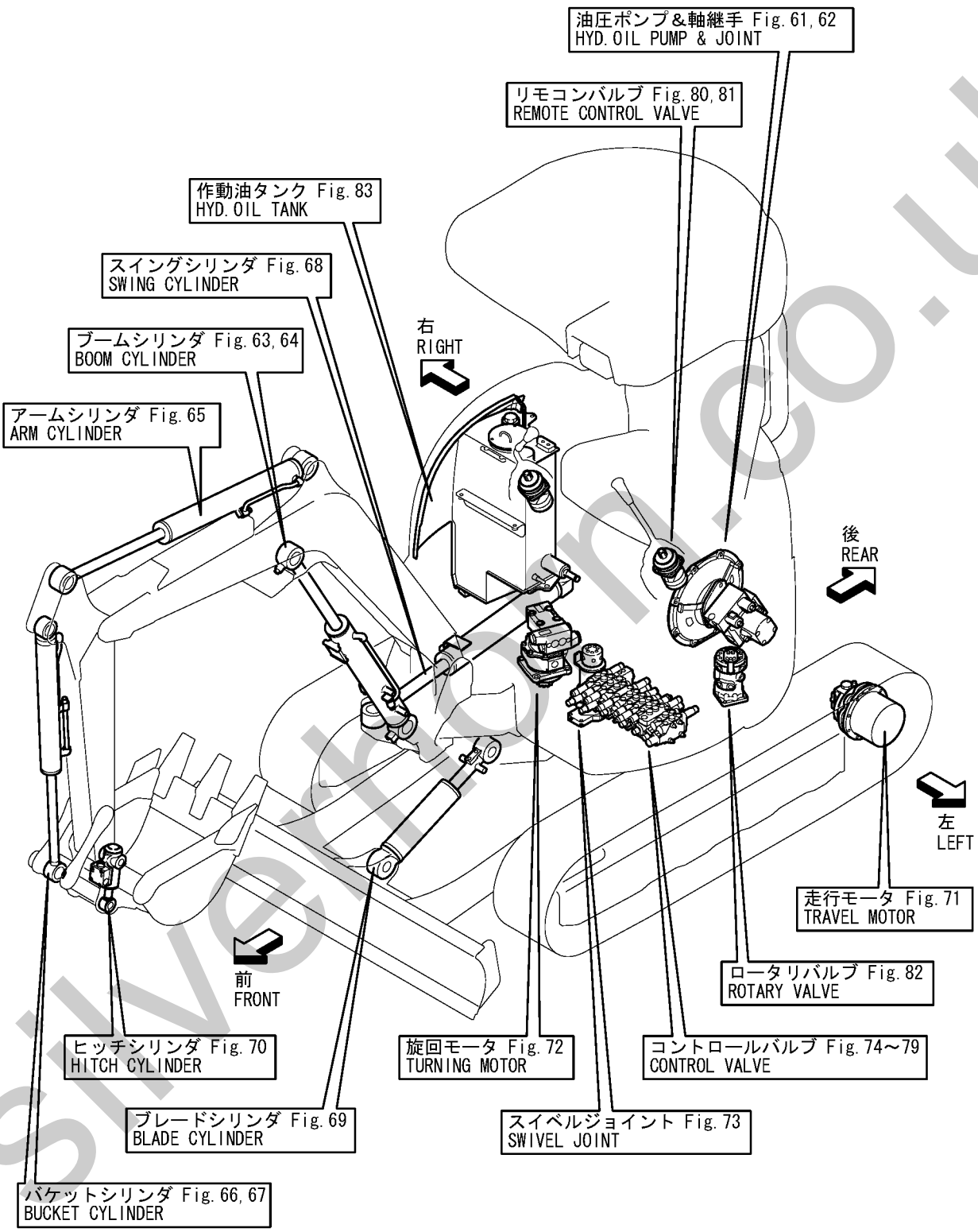
絵目次 ( 1 ) . . . . . 主要部分  
 PICTURESQUE INDEX (1) . . . . . MAIN PARTS

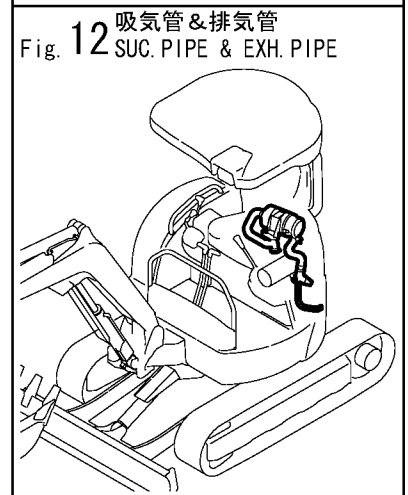
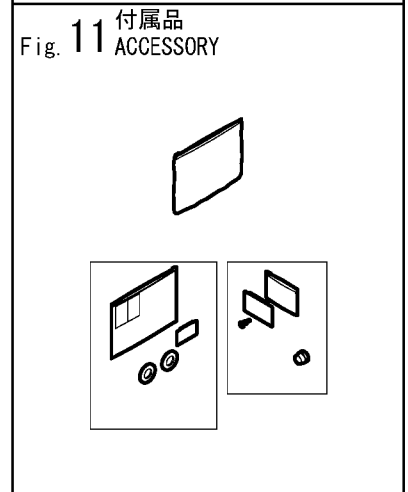
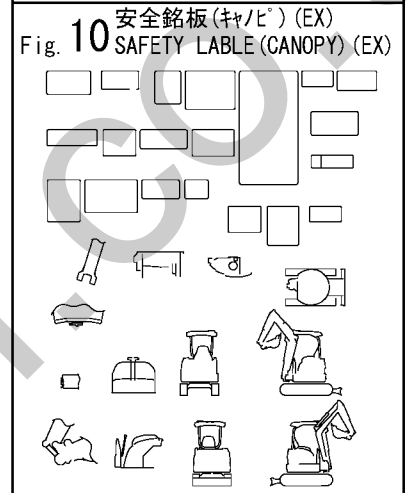
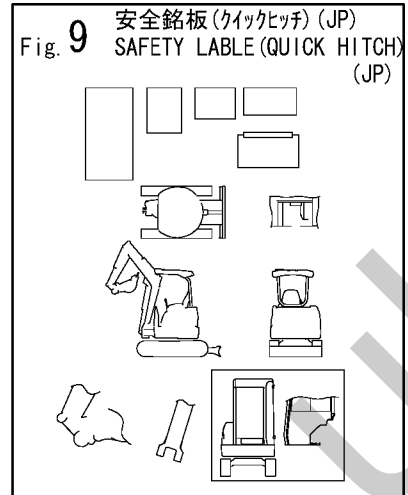
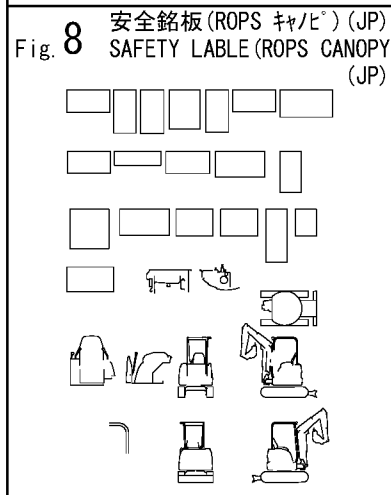
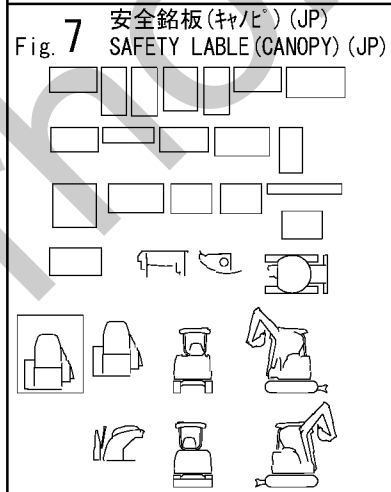
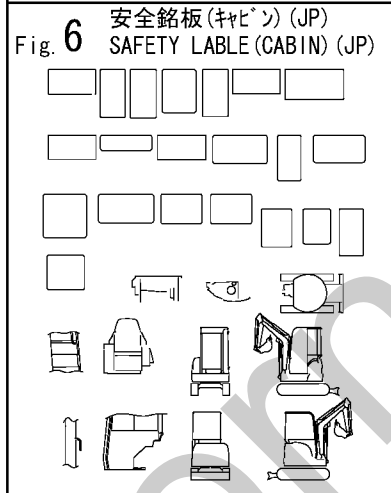
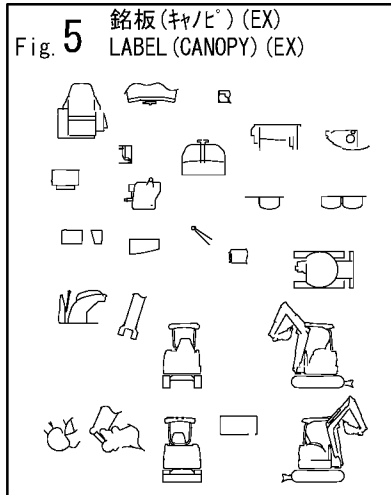
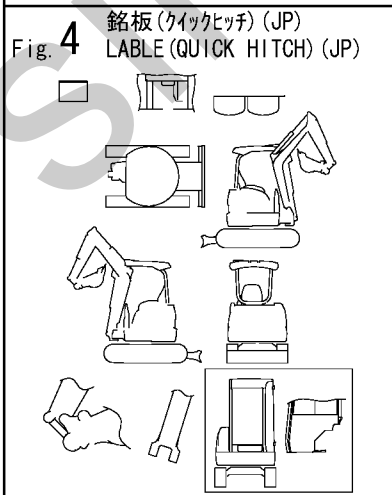
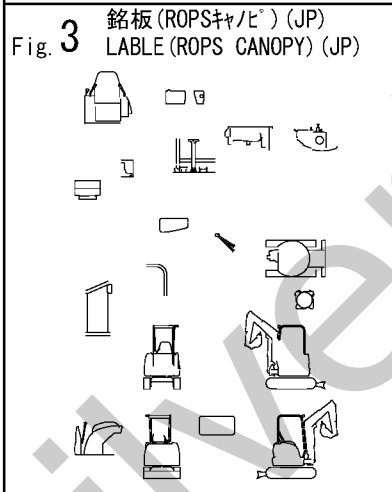
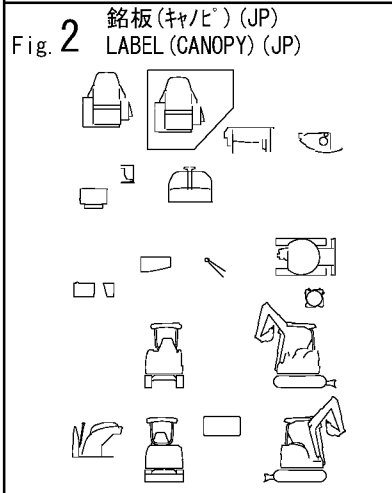
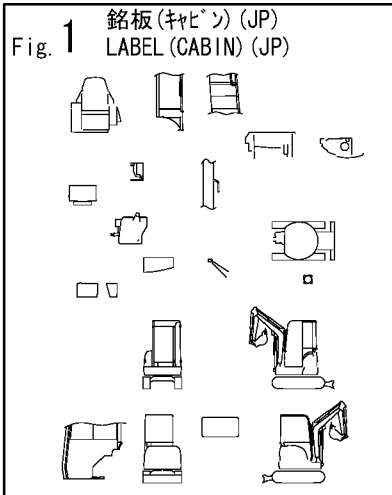


# 絵目次 ( 2 ) . . . . . 油圧関係 PICTURESQUE INDEX (2) . . . . . HYDRAULIC SECTION

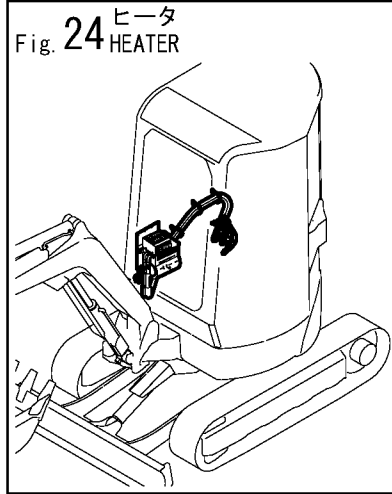
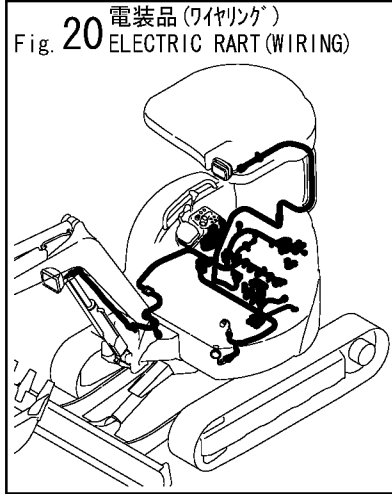
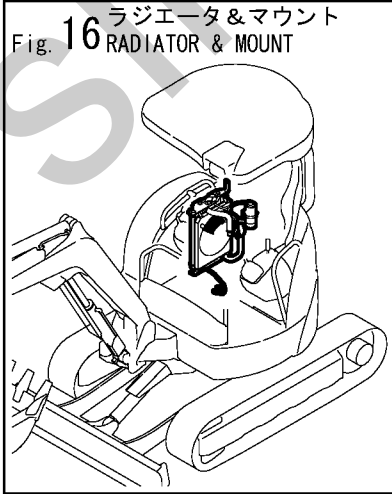
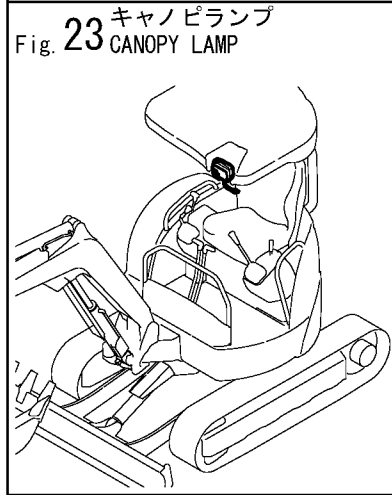
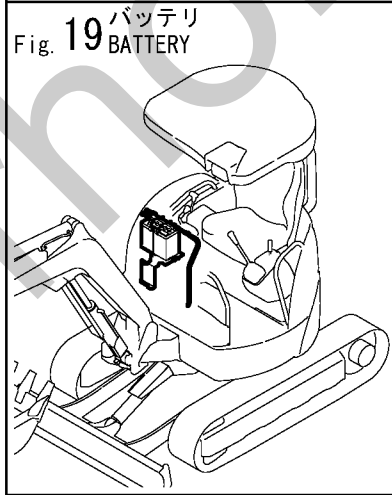
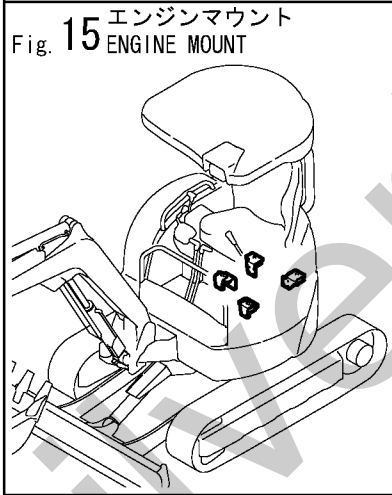
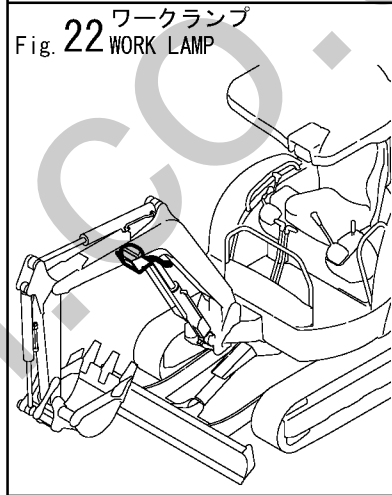
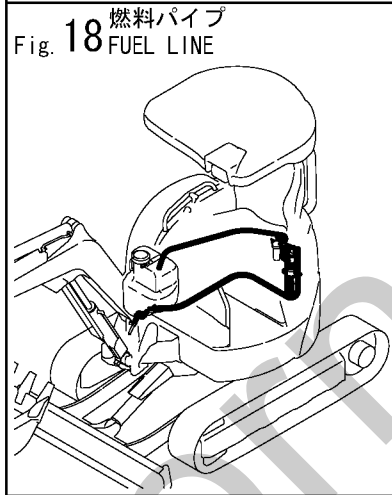
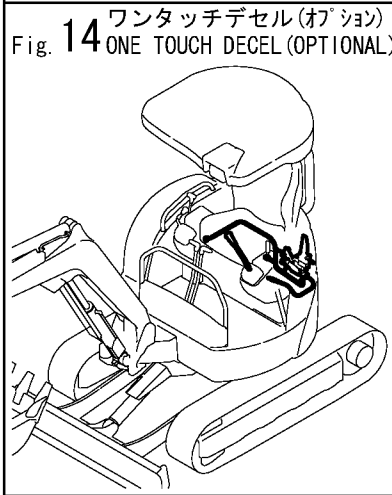
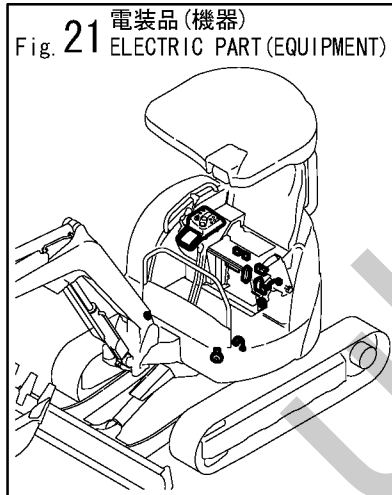
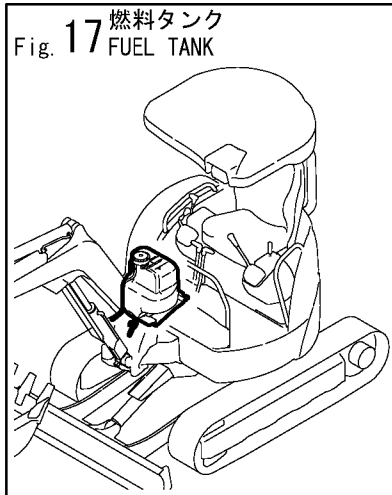
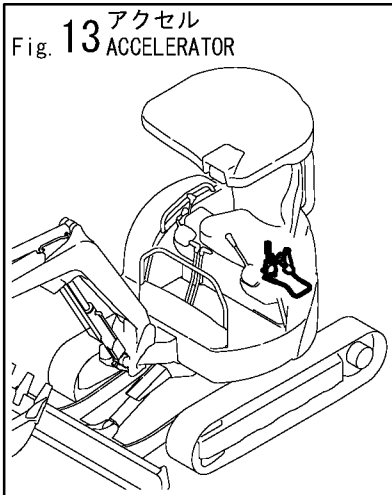
油圧配管 Fig. 84~92  
HYD. OIL PIPING

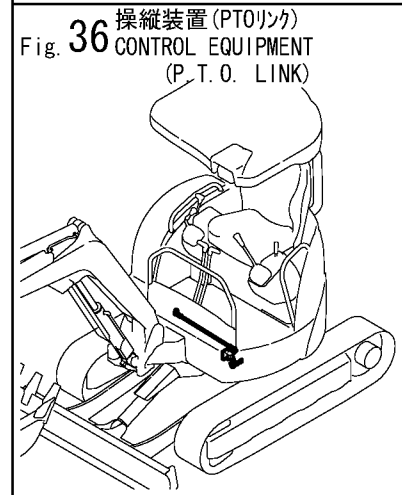
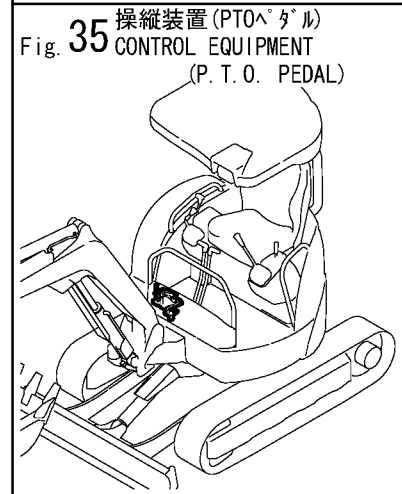
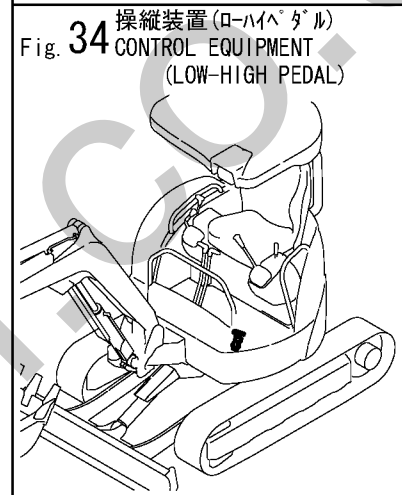
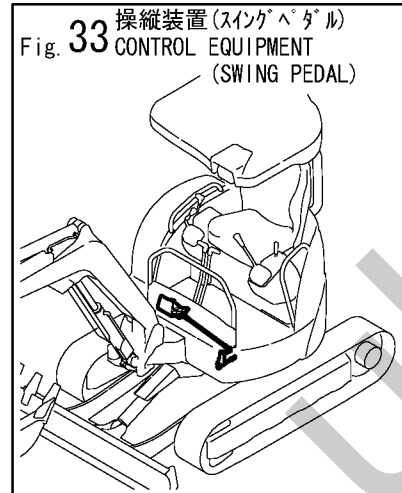
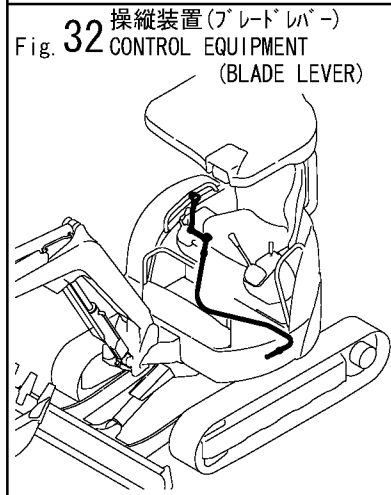
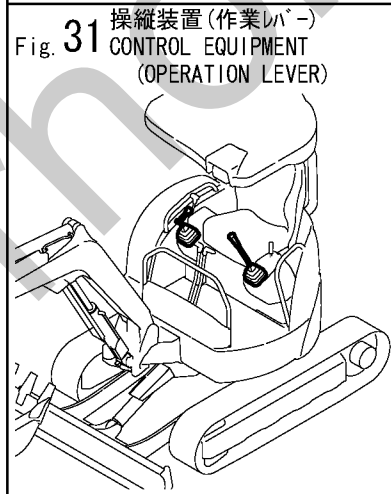
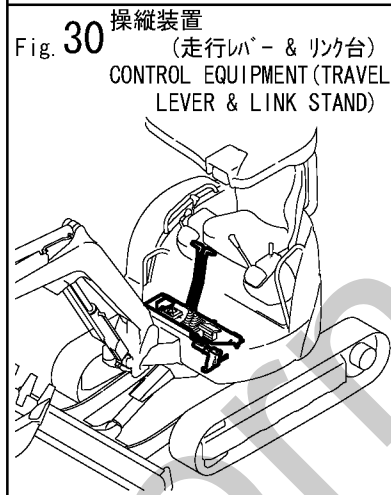
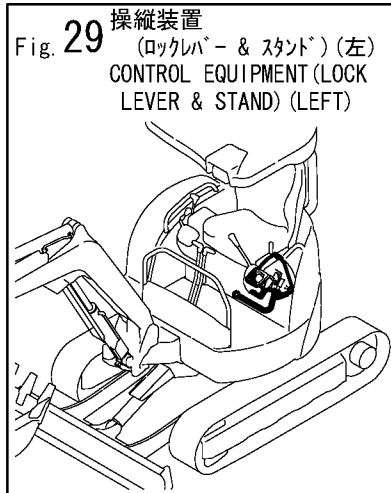
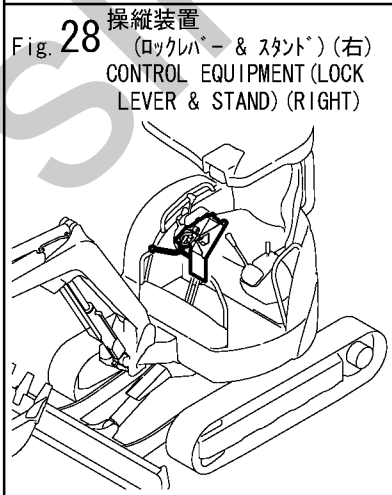
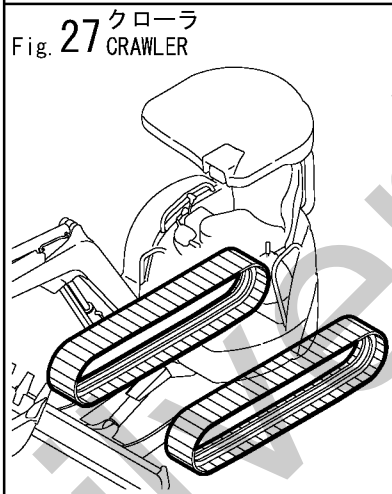
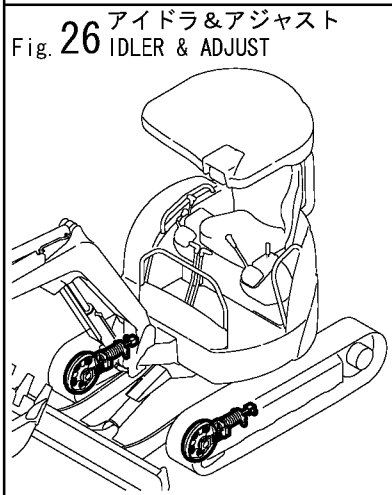
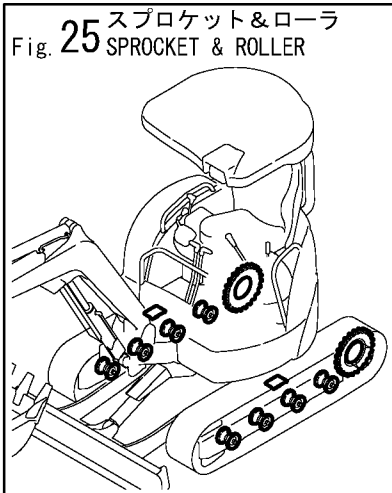
コントロール配管 Fig. 93~96  
CONTROL PIPING

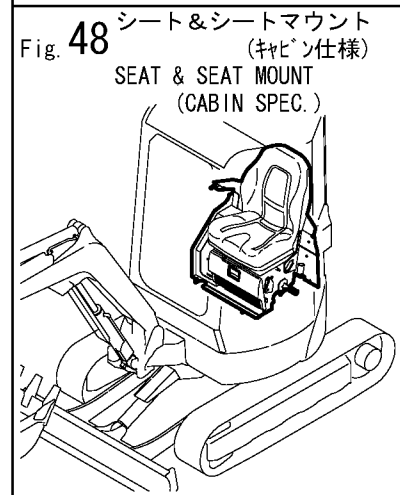
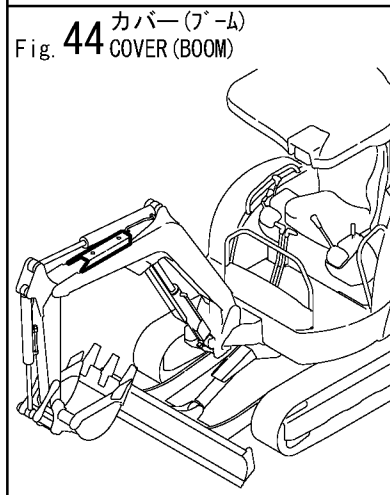
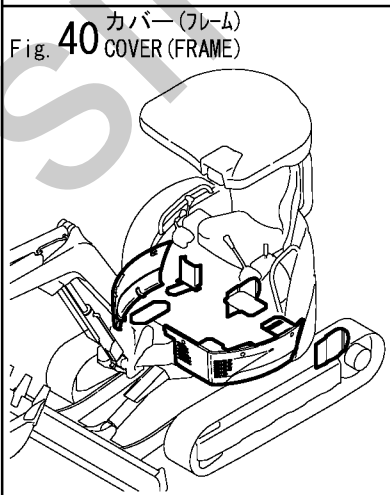
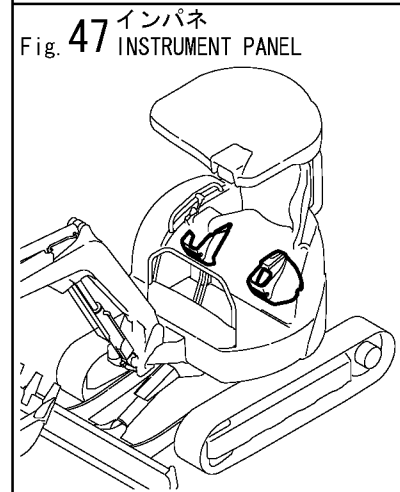
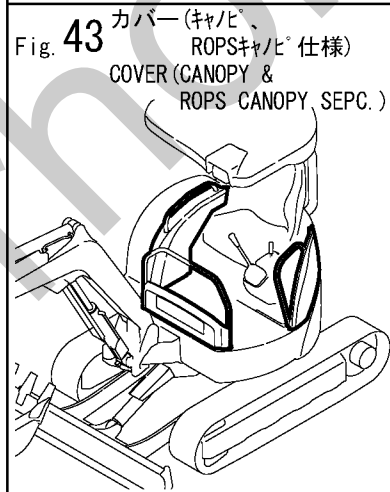
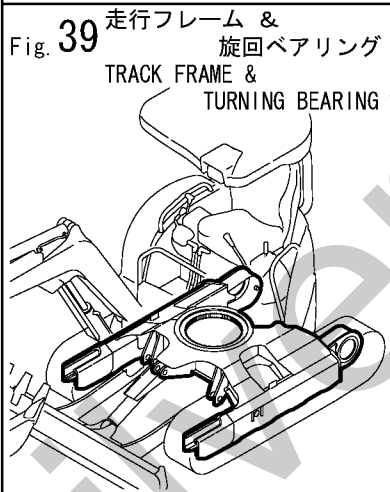
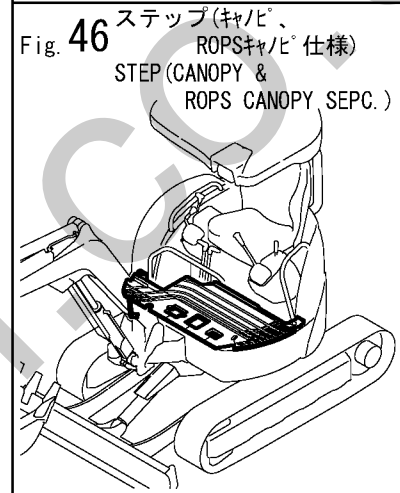
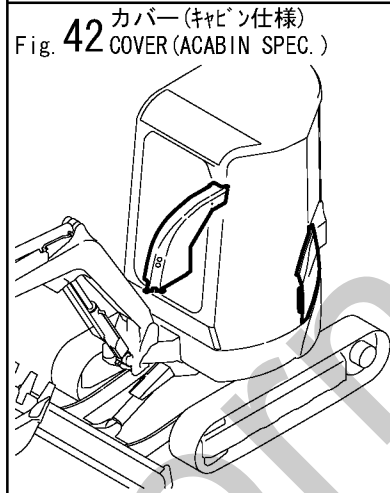
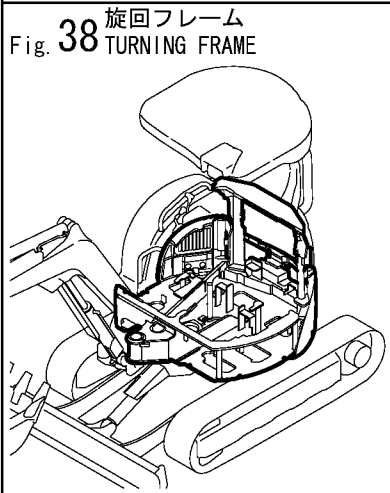
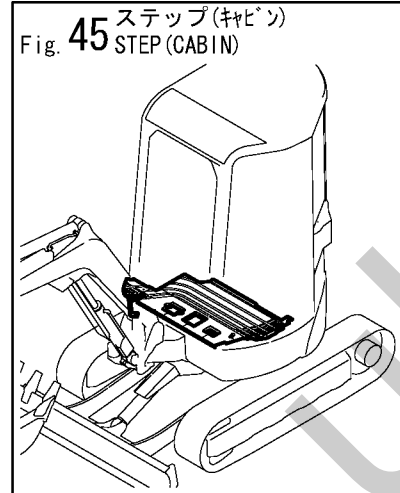
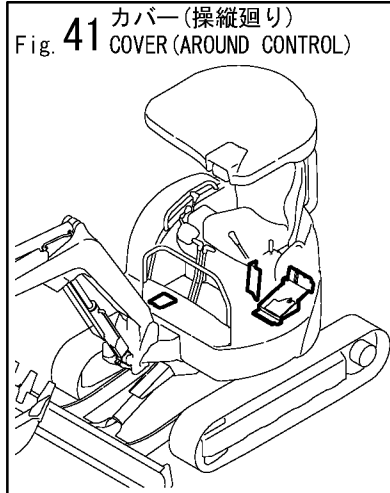
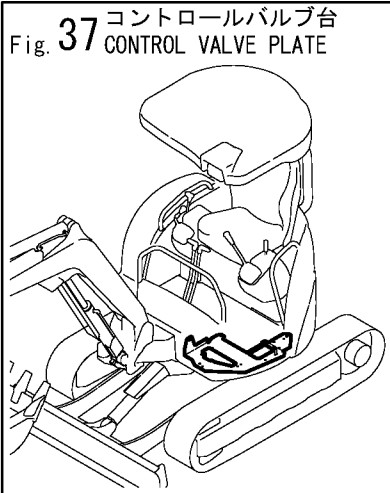


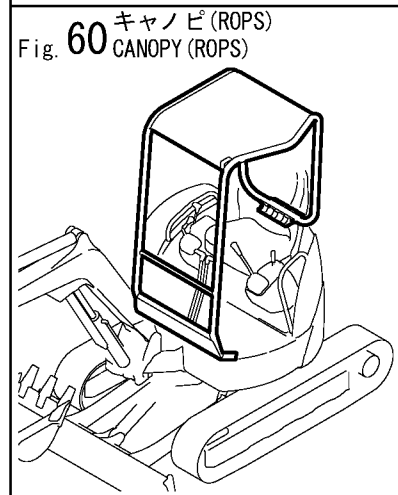
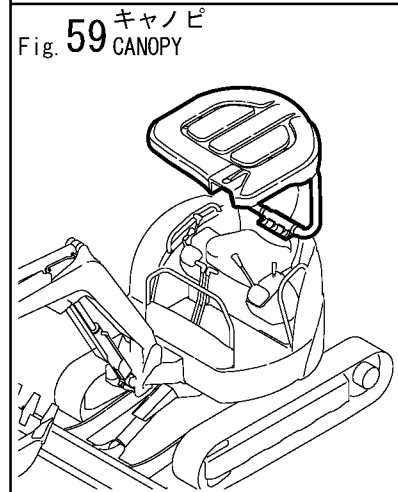
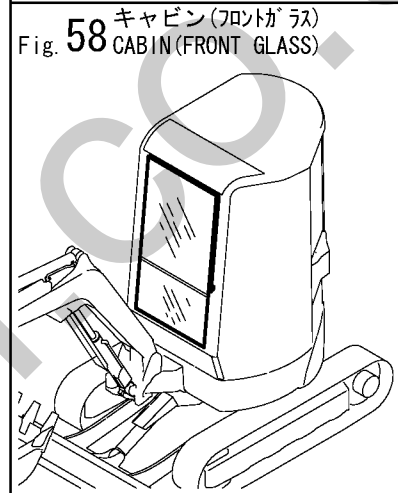
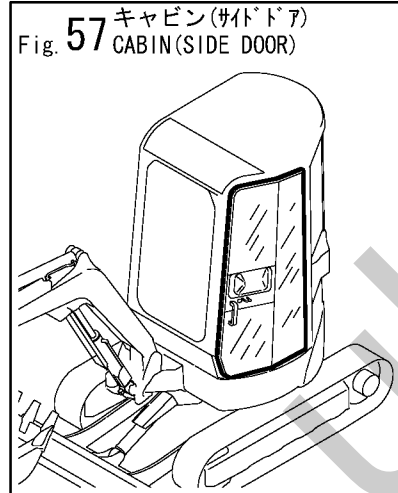
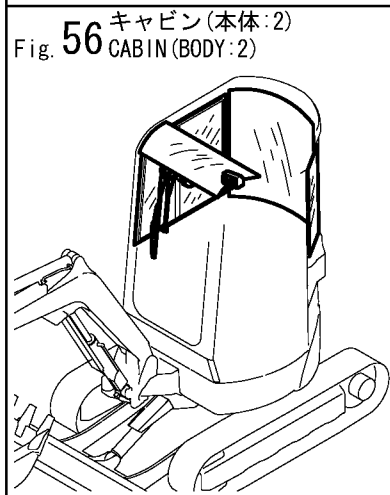
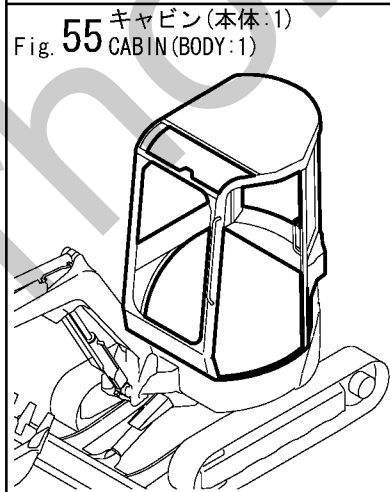
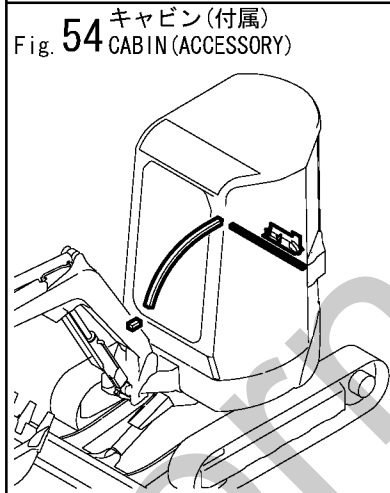
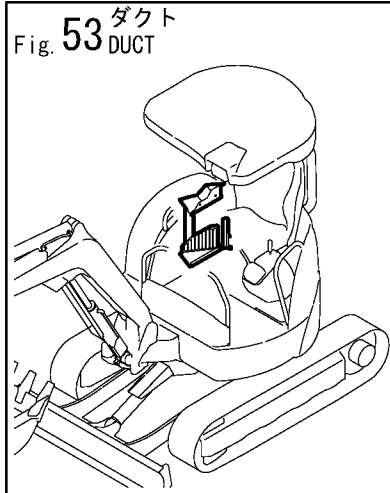
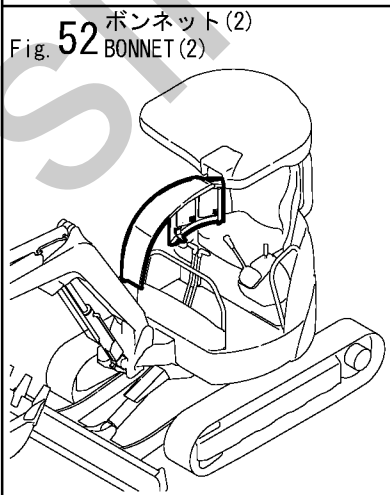
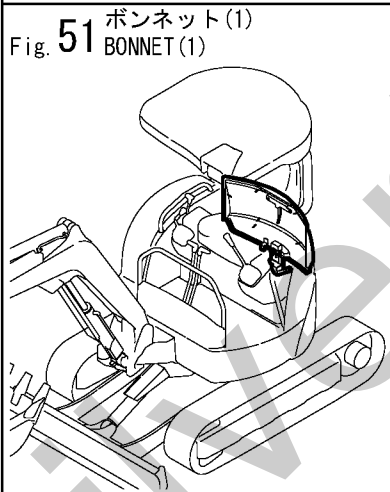
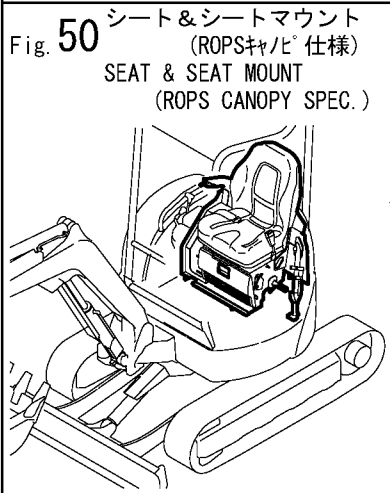
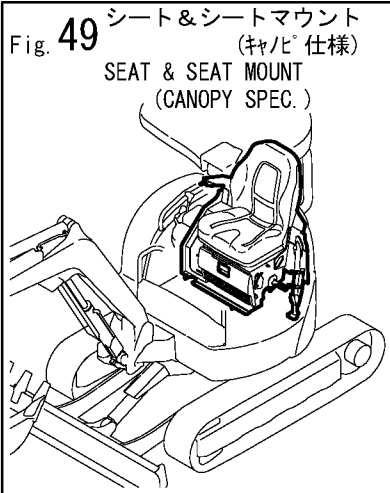


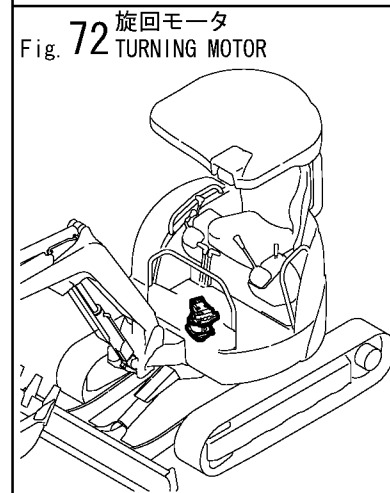
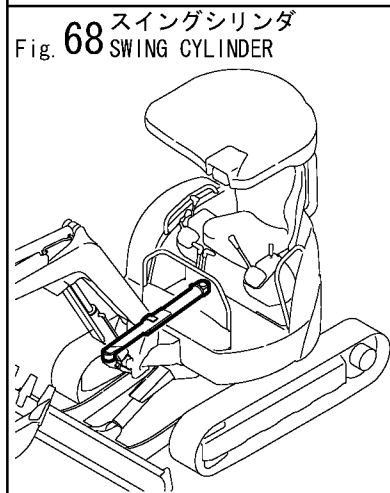
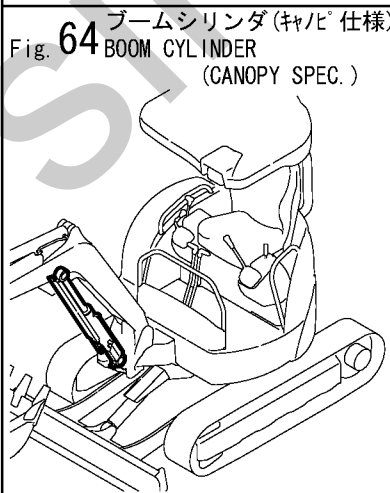
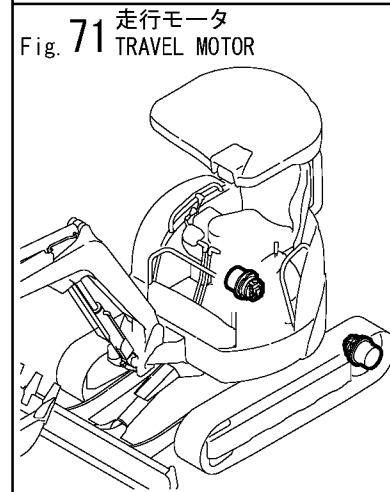
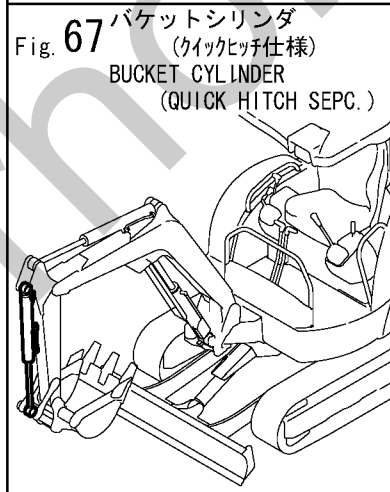
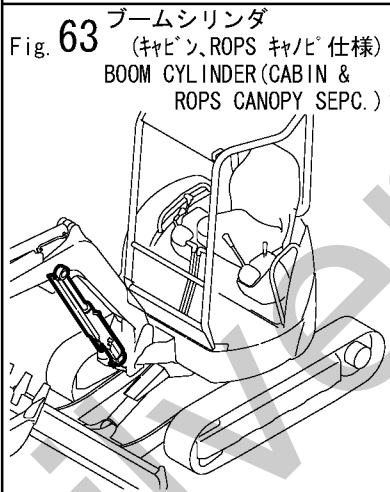
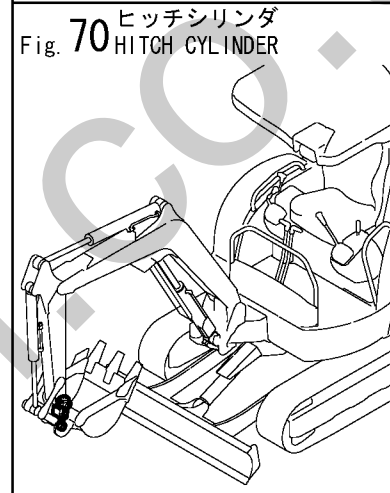
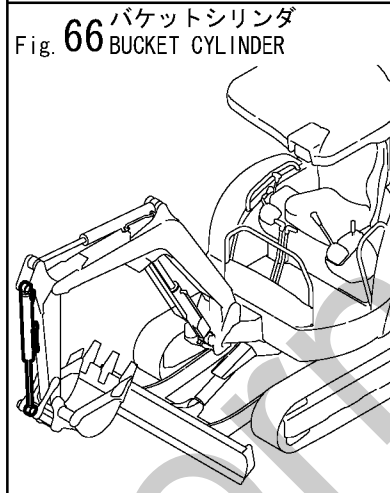
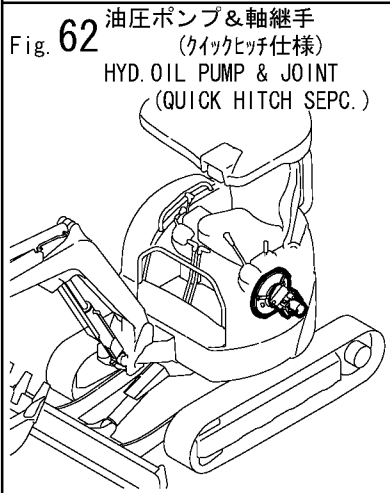
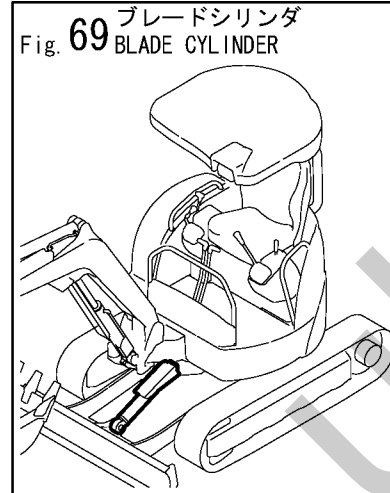
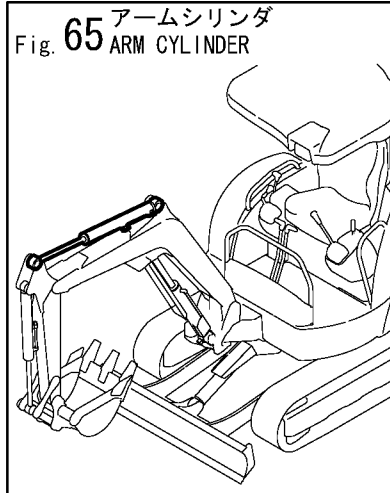
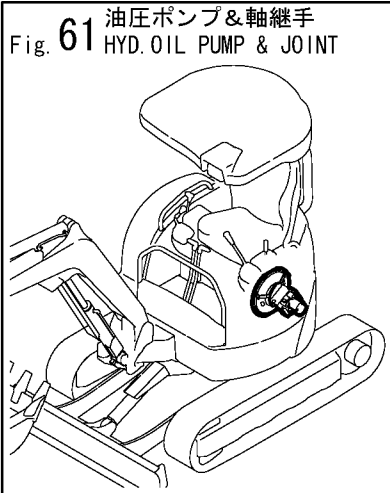


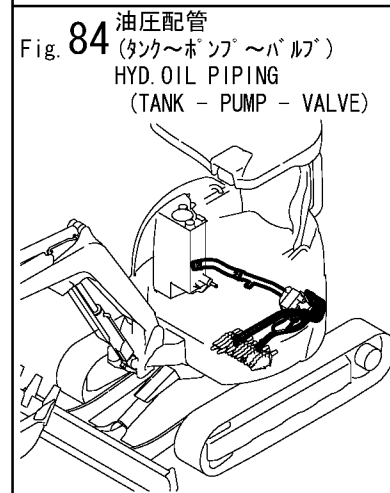
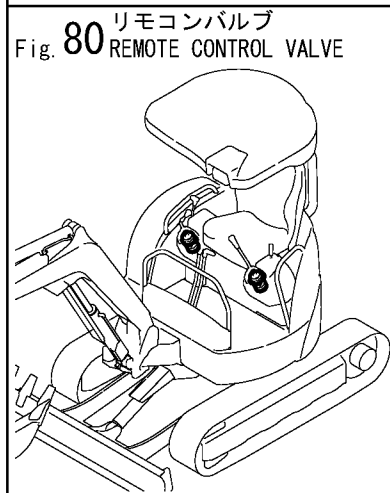
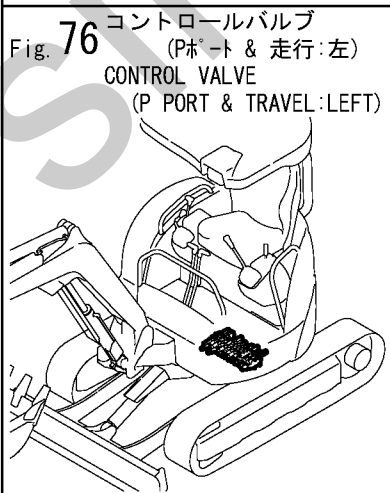
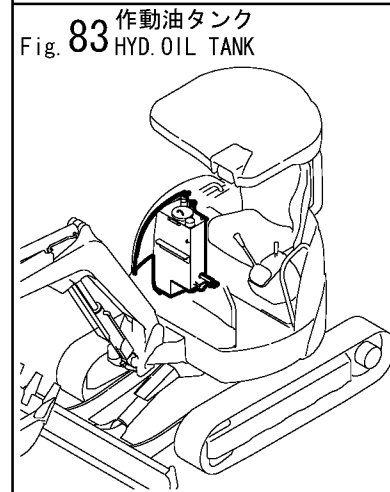
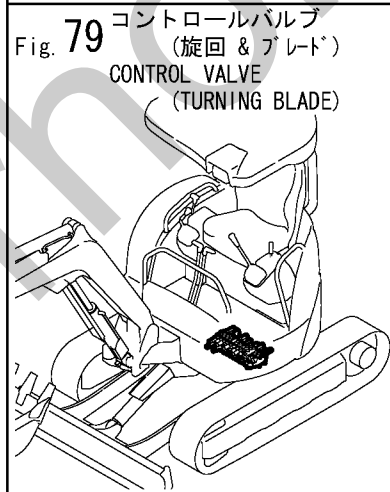
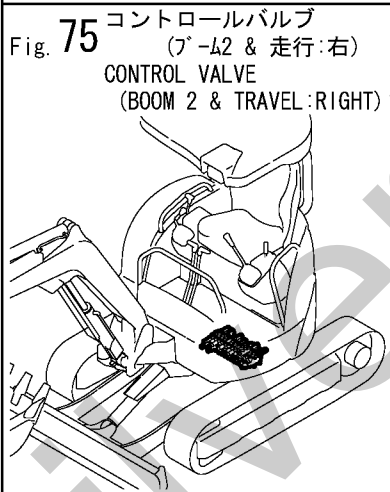
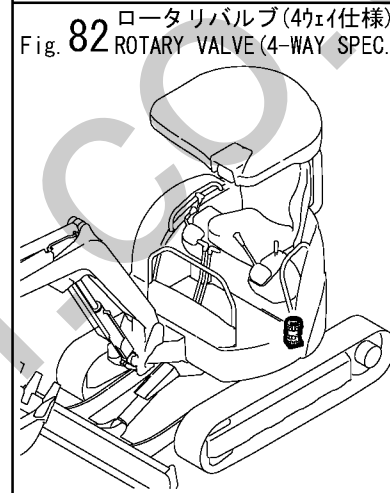
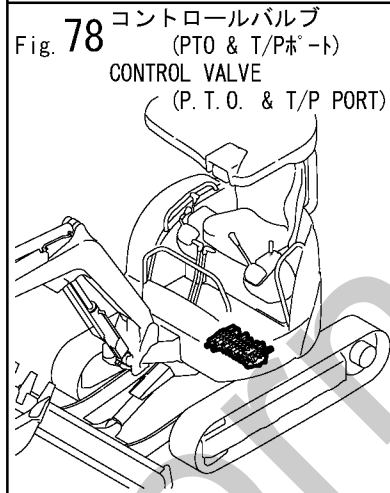
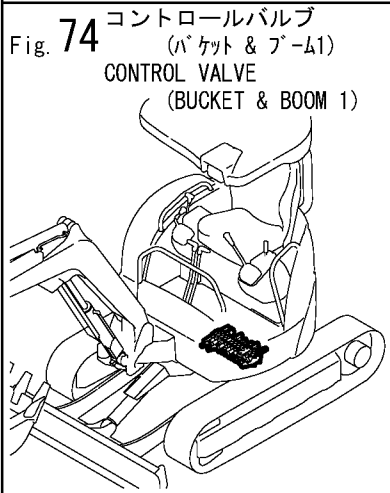
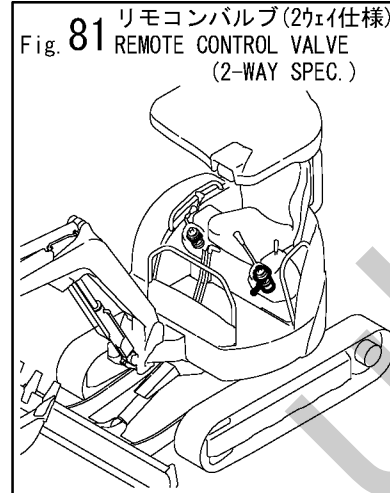
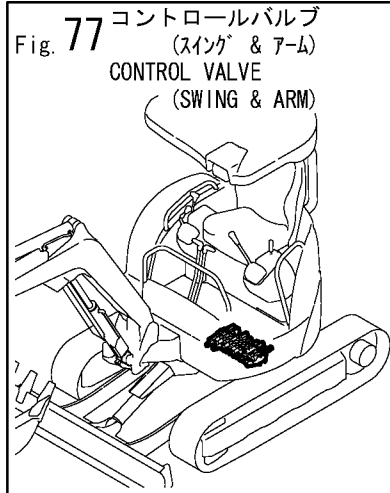
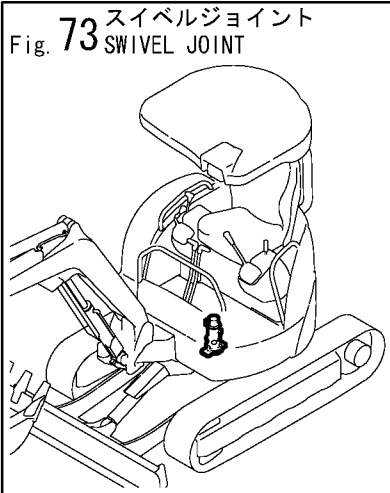


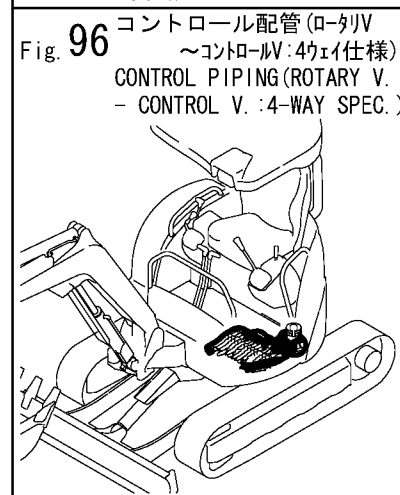
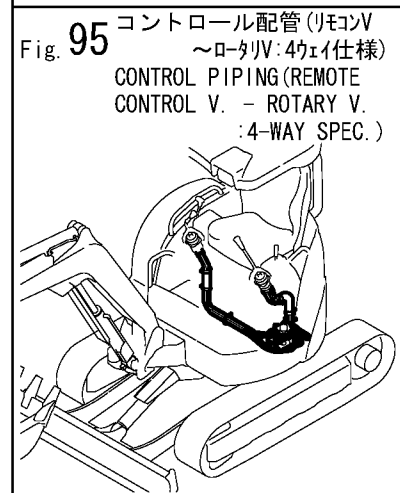
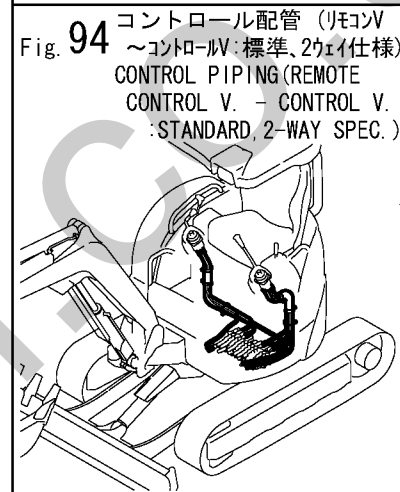
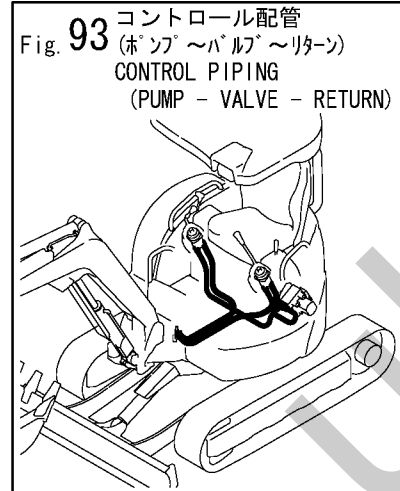
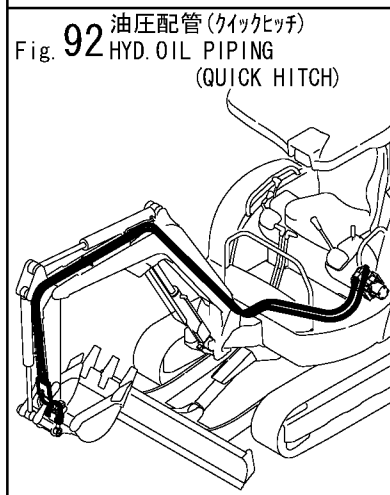
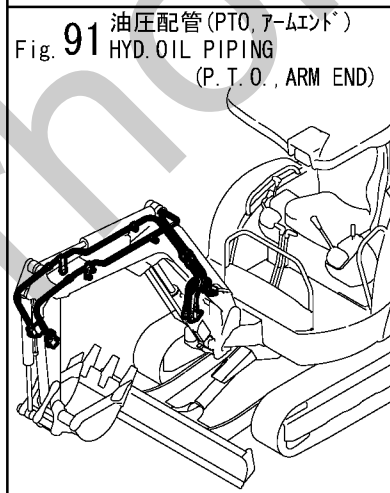
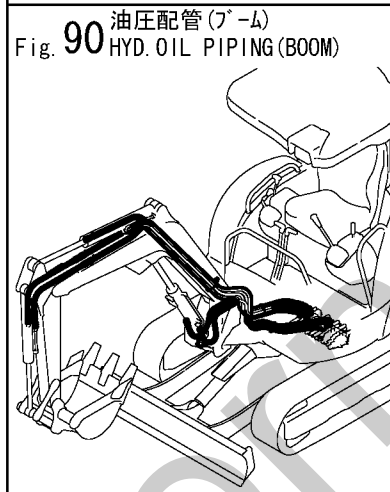
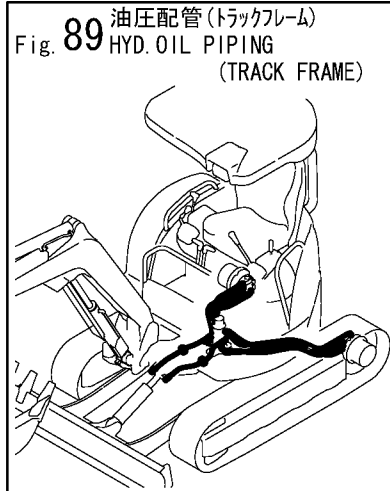
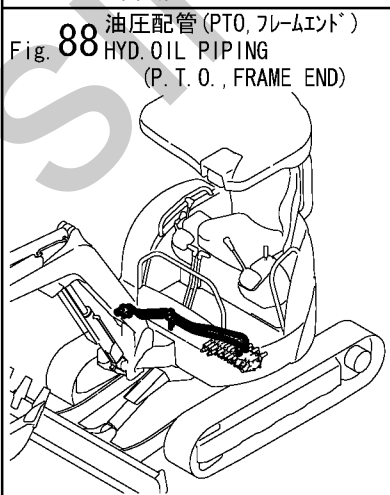
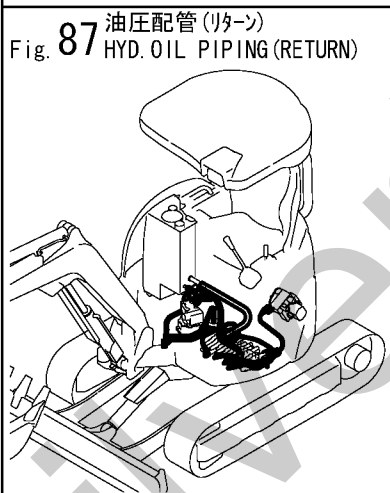
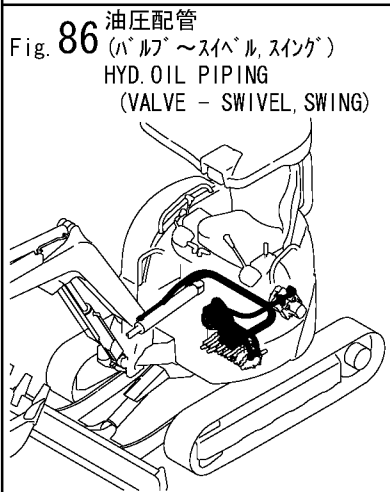
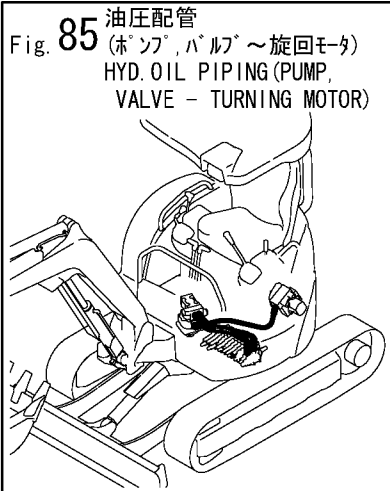












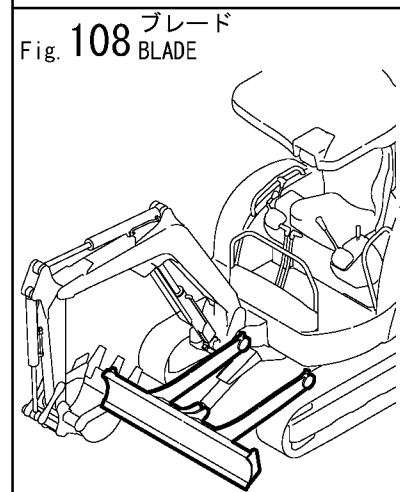
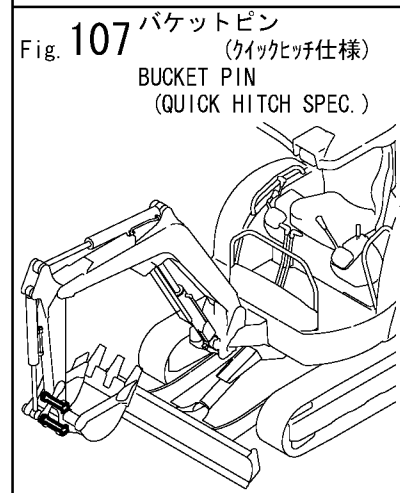
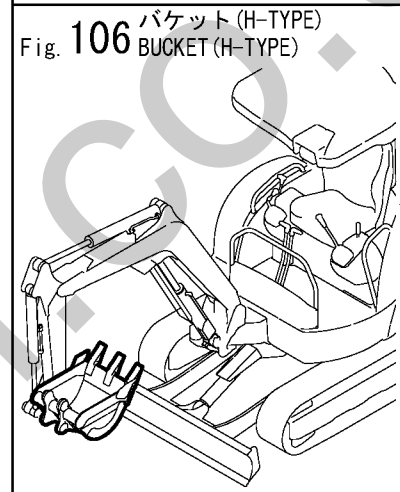
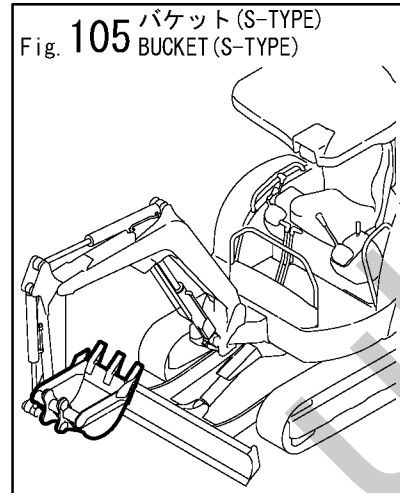
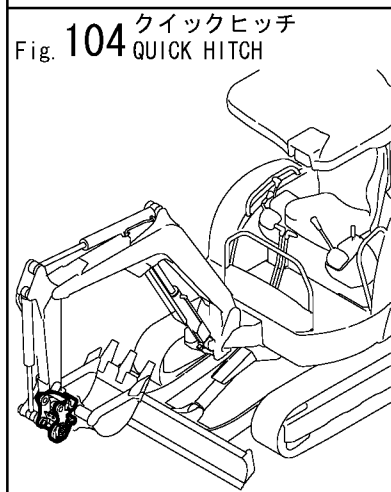
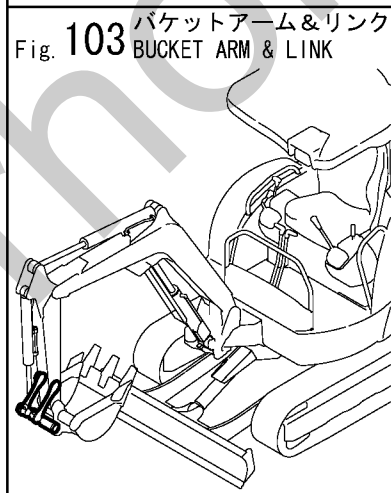
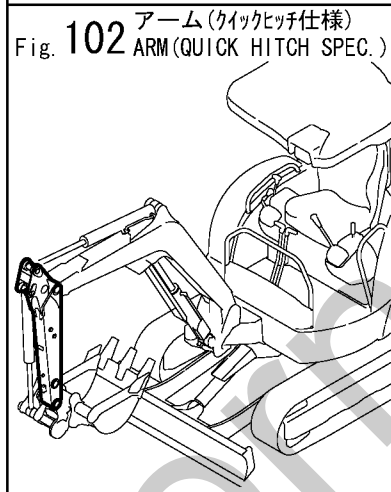
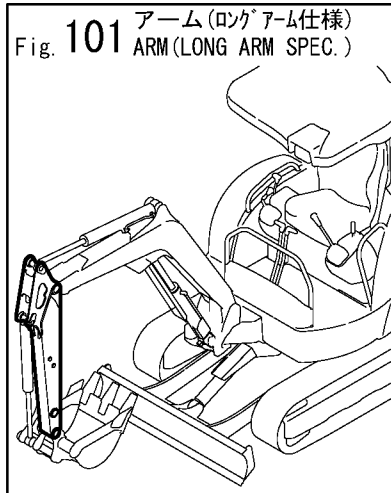
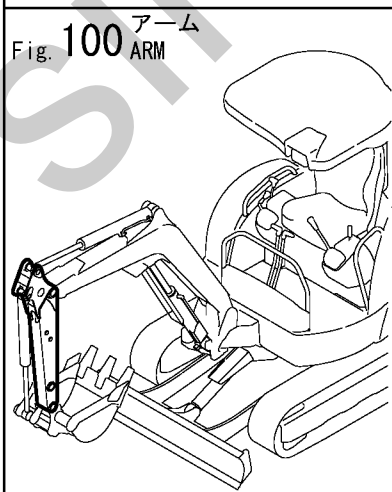
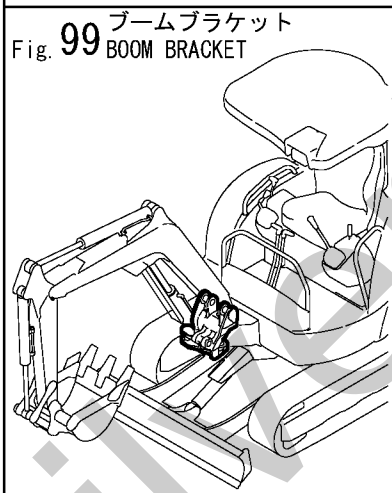
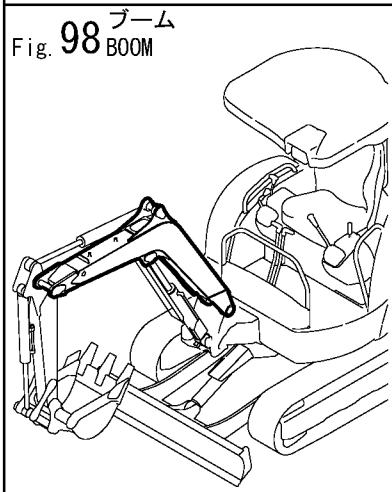
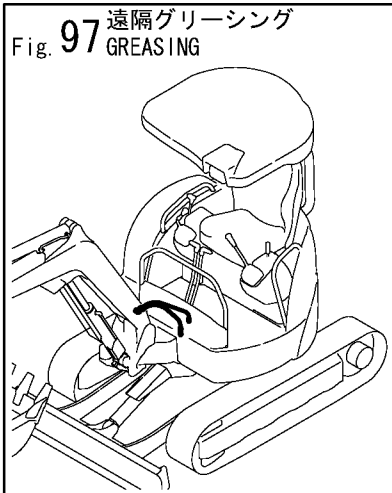




Fig. 109 ワンタッチデセルキット  
(オプション)  
ONE TOUCH DECEL KIT  
(OPTIONAL)

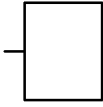


Fig. 113 P T Oキット  
(ロングアーム仕様) (オプション)  
P. T. O. KIT (LONG ARM  
SPEC.) (OPTIONAL)

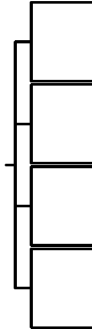


Fig. 110 4ウェイマルチバルブ  
キット(オプション)  
4-WAY MULTI VALVE KIT  
(OPTIONAL)

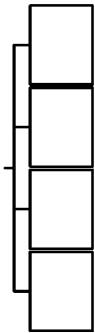


Fig. 114 P T Oキット  
(フレームエンド) (オプション)  
P. T. O. KIT (FRAME END)  
(OPTIONAL)

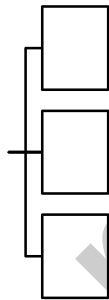


Fig. 111 2ウェイマルチバルブ  
キット(オプション)  
2-WAY MULTI VALVE KIT  
(OPTIONAL)

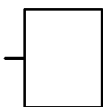


Fig. 115 ロングアームキット  
(オプション)  
LONG ARM KIT (OPTIONAL)

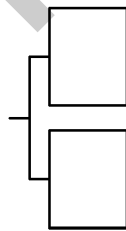
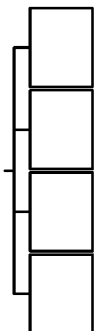
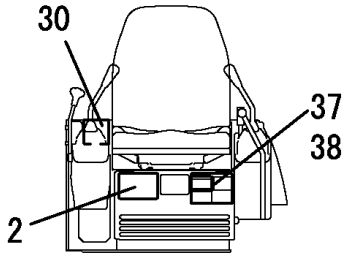


Fig. 112 P T Oキット(オプション)  
P. T. O. KIT (OPTIONAL)



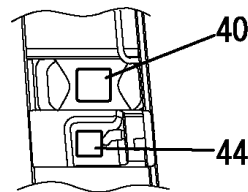
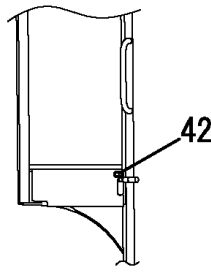
1,1,,772456-03110,, "LABEL ASSY(JP.C)",1,,,,,,,,,,,,,I  
 2,2,,172456-03112,, LABEL,1,,,,,,,,,,,,,I  
 3,2,,172456-03120,, "LABEL,OIL & WATER",1,,,,,,,,,,,,,I  
 4,2,,172157-03130,, "LABEL, GREASE",1,,,,,,,,,,,,,I  
 5,2,,172458-03130,, "LABEL,GREASE FEED",1,,,,,,,,,,,,,I  
 6,2,,172456-03150,, "LABEL,MODEL",2,,,,,,,,,,,,,I  
 7,2,,172458-03160,, "LABEL, REAR",1,,,,,,,,,,,,,I  
 8,2,,172444-03170,, LABEL,1,,,,,,,,,,,,,I  
 9,2,,172444-03180,, LABEL,2,,,,,,,,,,,,,I  
 10,2,,172458-03181,, "LABEL, LIFTING",1,,,,,,,,,,,,,I  
 11,2,,172444-03190,, LABEL,1,,,,,,,,,,,,,I  
 12,2,,172458-03190,, "LABEL,OILING",1,,,,,,,,,,,,,I  
 13,2,,172141-03202,, "LABEL,CAUTION",1,,,,,,,,,,,,,I  
 14,2,,172450-03200,, "LABEL,BATTERY",1,,,,,,,,,,,,,I  
 15,2,,172458-03200,, "LABEL,FAN",1,,,,,,,,,,,,,I  
 16,2,,172444-03210,, LABEL,1,,,,,,,,,,,,,I  
 17,2,,172458-03210,, "LABEL,BELT",1,,,,,,,,,,,,,I  
 18,2,,172458-03220,, "LABEL,ACCELERATOR",1,,,,,,,,,,,,,I  
 19,2,,172458-03231,, "LABEL, HUSE",1,,,,,,,,,,,,,I  
 20,2,,172444-03240,, LABEL,1,,,,,,,,,,,,,I  
 21,2,,172173-03250,, LABEL,1,,,,,,,,,,,,,I  
 22,2,,172183-03250,, "LABEL,FUEL",1,,,,,,,,,,,,,I  
 23,2,,172524-03271,, LABEL,1,,,,,,,,,,,,,I  
 24,2,,172444-03280,, LABEL,2,,,,,,,,,,,,,I  
 25,2,,172142-03302,, "LABEL,CAUTION",1,,,,,,,,,,,,,I  
 26,2,,172455-03340,, LABEL,1,,,,,,,,,,,,,I  
 27,2,,172141-03360,, "LABEL, START SWITCH",1,,,,,,,,,,,,,I  
 28,2,,172964-03370,, LABEL,1,,,,,,,,,,,,,I  
 29,2,,172964-03481,, "LABEL,DANGER",1,,,,,,,,,,,,,I  
 30,2,,172164-03510,, "LABEL,LOADING",1,,,,,,,,,,,,,I  
 31,2,,172437-03510,, "LABEL,HOOK",3,,,,,,,,,,,,,I  
 32,2,,172164-03540,, LABEL,1,,,,,,,,,,,,,I  
 33,2,,172519-04180,, "LABEL,WARNING",1,,,,,,,,,,,,,I  
 34,2,,172519-04290,, "LABEL,WARNING",1,,,,,,,,,,,,,I  
 35,2,,121470-44540,, "LABEL, SUB-TANK",1,,,,,,,,,,,,,I  
 36,2,,172183-03280,, "LABEL,LOCK",1,,,,,,,,,,,,,I  
 37,2,,172444-03290,, MAGNET,1,,,,,,,,,1,,,,,,,,,I  
 38,2,,172151-03551,, LABEL,1,,,,,,,,,1,,,,,,,,,I  
 39,2,,172460-03140,, "LABEL,FRONT",1,,,,,,,,,,,,,I  
 40,2,,172175-03170,, LABEL,1,,,,,,,,,,,,,I  
 41,2,,172456-03170,, LABEL,1,,,,,,,,,,,,,I  
 42,2,,172445-03180,, LABEL,3,,,,,,,,,,,,,I  
 43,2,,172496-03200,, "LABEL, OPERATION",1,,,,,,,,,,,,,I  
 44,2,,172445-03220,, LABEL,1,,,,,,,,,,,,,I  
 45,2,,172445-03230,, LABEL,1,,,,,,,,,,,,,I  
 46,2,,172458-03260,, LABEL,1,,,,,,,,,,,,,I  
 47,2,,172455-03520,, LABEL,1,,,,,,,,,,,,,I  
 48,2,,172490-03210,, "LABEL, P.T.O.",1,,,,,,,,,2,,,,,,,,,I  
 49,2,,172165-03240,, LABEL,1,,,,,,,,,3,,,,,,,,,I  
 50,2,,172458-03240,, "LABEL,LOCK",1,,,,,,,,,2,,,,,,,,,I

見出しNo. 1は  
見出しNo. 2から50を含みます。  
1 INC. 2~50.

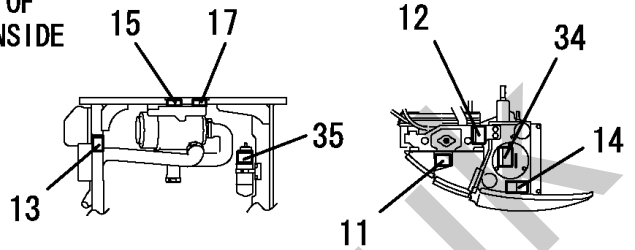


(A) から見る  
VIEWED FROM (A)

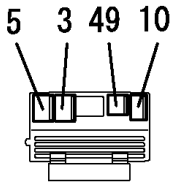
(D) から見る  
VIEWED FROM (D)



ドア内部詳細  
DETAILS OF  
DOOR INSIDE



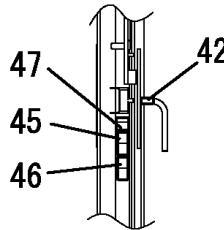
ボンネット内部詳細  
DETAILS OF  
BONNET INSIDE



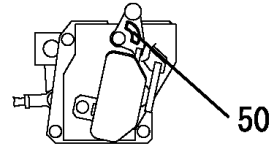
グリル内側詳細  
DETAILS OF  
GRILLE INSIDE



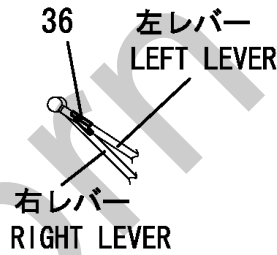
グリルを開いて  
OPEN THE GRILLE



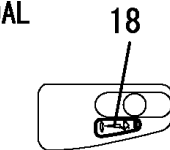
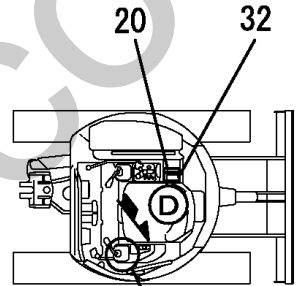
(C) から見る  
VIEWED FROM (C)



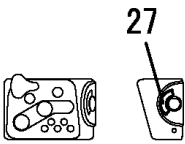
P.T.O.ペダル詳細  
DETAILS OF  
P. T. O. PEDAL



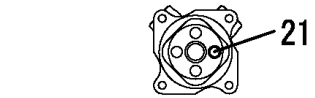
左レバー  
LEFT LEVER  
右レバー  
RIGHT LEVER



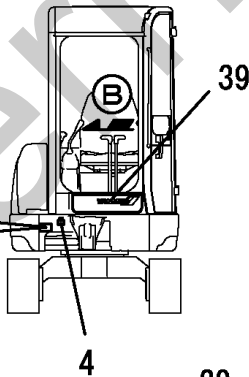
パネルL部詳細  
DETAILS OF  
PANEL L



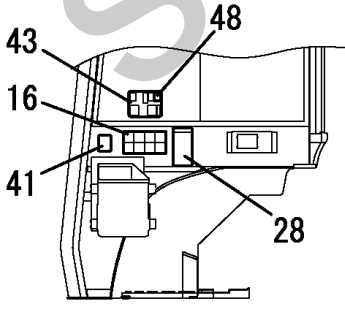
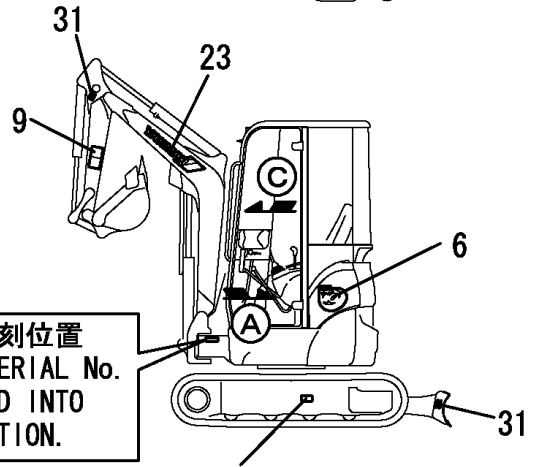
パネルR部詳細  
DETAILS OF  
PANEL R



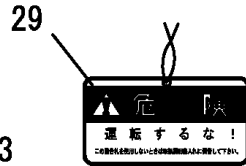
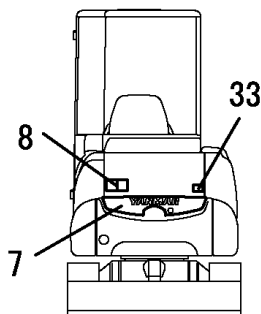
機体No. 機関No. 打刻位置  
MACHINE SERIAL No.  
ENGINE No. IS STAMPED  
INTO THIS LOCATION.



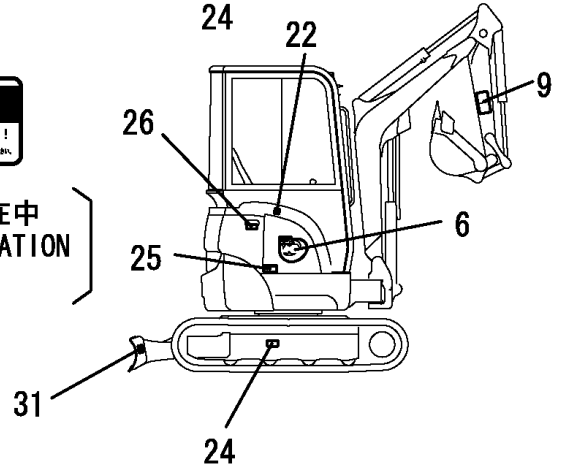
機体No. 打刻位置  
MACHINE SERIAL No.  
IS STAMPED INTO  
THIS LOCATION.



(B) から見る  
VIEWED FROM (B)

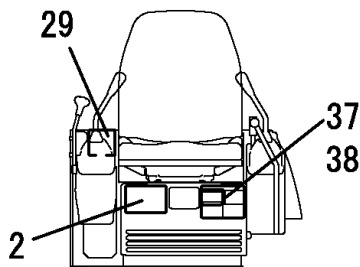


取説収納庫在中  
IN THE OPERATION  
MANUAL CASE

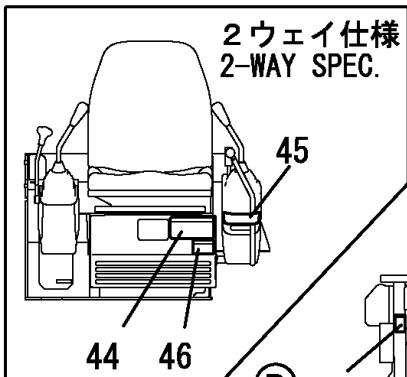


1,1,,772456-03100,, "LABEL ASSY (JP,P)",,1,,,,,,,,,,,,,  
1-1,1,,772456-03101,, "LABEL SET (VIO20-2  
P",,1,,,,,N,,,,72457041,M/#21827,,,,,,,,,,,,,I  
2,2,,172456-03110,, "LABEL,SPECIFICATION",,1,,,,,,,,,,,,,  
2-1,2,,172456-03111,, "LABEL,  
SPECIFICATION",,1,,,,,N,,,,72456191,M/#21310,,,,,,,,,,,,,I  
2-2,2,,172456-03112,, "LABEL,,1,,,,,N,,,,72457041,M/#21827,,,,,,,,,,,,,I  
3,2,,172456-03120,, "LABEL,OIL & WATER",,1,,,,,,,,,,,,,  
4,2,,172157-03130,, "LABEL, GREASE",,1,,,,,,,,,,,,,  
5,2,,172458-03130,, "LABEL,GREASE FEED",,1,,,,,,,,,,,,,  
6,2,,172456-03150,, "LABEL,MODEL",,2,,,,,,,,,,,,,  
7,2,,172458-03160,, "LABEL, REAR",,1,,,,,,,,,,,,,  
8,2,,172444-03170,, "LABEL,,1,,,,,,,,,,,,,  
9,2,,172444-03180,, "LABEL,,2,,,,,,,,,,,,,  
10,2,,172458-03180,, "LABEL,LIFT POSITION",,1,,,,,,,,,,,,,  
10-1,2,,172458-03181,, "LABEL, LIFTING",,1,,,,,N,,,,72458417,M/#20862,,,,,,,,,,,,,  
11,2,,172444-03190,, "LABEL,,1,,,,,,,,,,,,,  
12,2,,172458-03190,, "LABEL,OILING",,1,,,,,,,,,,,,,  
13,2,,172141-03202,, "LABEL,CAUTION",,1,,,,,,,,,,,,,  
14,2,,172450-03200,, "LABEL,BATTERY",,1,,,,,,,,,,,,,  
15,2,,172458-03200,, "LABEL,FAN",,1,,,,,,,,,,,,,  
16,2,,172147-03210,, "LABEL,2 SPEED",,1,,,,,Z,,,,724600328,M/#25604,,,,,,,,,,,,,I  
17,2,,172444-03210,, "LABEL,,1,,,,,,,,,,,,,  
18,2,,172458-03210,, "LABEL,BELT",,1,,,,,,,,,,,,,  
19,2,,172458-03220,, "LABEL,ACCELERATOR",,1,,,,,,,,,,,,,  
20,2,,172444-03240,, "LABEL,,1,,,,,,,,,,,,,  
21,2,,172183-03250,, "LABEL,FUEL",,1,,,,,,,,,,,,,  
22,2,,172524-03271,, "LABEL,,1,,,,,,,,,,,,,  
23,2,,172444-03280,, "LABEL,,2,,,,,,,,,,,,,  
24,2,,172142-03302,, "LABEL,CAUTION",,1,,,,,,,,,,,,,  
25,2,,172455-03340,, "LABEL,,1,,,,,,,,,,,,,  
26,2,,172141-03360,, "LABEL, START SWITCH",,1,,,,,,,,,,,,,  
27,2,,172964-03370,, "LABEL,,1,,,,,,,,,,,,,  
28,2,,172964-03481,, "LABEL,DANGER",,1,,,,,,,,,,,,,  
29,2,,172164-03510,, "LABEL,LOADING",,1,,,,,,,,,,,,,  
30,2,,172437-03510,, "LABEL,HOOK",,3,,,,,,,,,,,,,  
31,2,,172164-03540,, "LABEL,,1,,,,,,,,,,,,,  
32,2,,172519-04180,, "LABEL,WARNING",,1,,,,,,,,,,,,,  
33,2,,172519-04290,, "LABEL,WARNING",,1,,,,,,,,,,,,,  
34,2,,172165-03240,, "LABEL,,1,,,,,2,,,,,,,,,,,,,  
35,2,,121470-44540,, "LABEL, SUB-TANK",,1,,,,,,,,,,,,,  
36,2,,172183-03280,, "LABEL,LOCK",,2,,,,,,,,,,,,,  
37,2,,172444-03290,, "MAGNET,,1,,,,,1,,,,,,,,,,,,,  
38,2,,172151-03551,, "LABEL,,1,,,,,1,,,,,,,,,,,,,  
39,2,,172458-03140,, "LABEL, FRONT",,1,,,,,,,,,,,,,  
40,2,,172444-03330,, "LABEL,,1,,,,,,,,,,,,,  
41,2,,172151-03540,, "LABEL,PATTERN A",,1,,,,,,,,,,,,,  
41-1,2,,172490-03200,, "LABEL,,1,,,,,N,,724600328,,724600328,M/#25604,,,,,,,,,,,,,I  
41-1,2,,172490-03200,, "LABEL,,1,,,,,N,,724600328,,724600328,M/#25604,,,,,,,,,,,,,I  
41-1,2,,172490-03200,, "LABEL,,1,,,,,N,,724600328,M/#25604,,,,,,,,,,,,,I  
42,2,,172173-03250,, "LABEL,,1,,,,,W,,72456158,M/#20501,,,,,,,,,,,,,  
43,2,,172458-03270,, "LABEL,,1,,,,,W,3,,72458331,M/#20580,,,,,,,,,,,,,  
43-1,2,,172490-03210,, "LABEL,  
P.T.O.",,1,,,,,N,3,724600328,,724600328,M/#25604,,,,,,,,,,,,,I  
43-1,2,,172490-03210,, "LABEL, P.T.O.",,1,,,,,N,3,,724600328,M/#25604,,,,,,,,,,,,,I  
44,2,,172458-03550,, "LABEL,,1,,,,,W,4,,72458340,M/#20580,,,,,,,,,,,,,  
45,2,,172458-03560,, "LABEL,,1,,,,,W,4,,72458340,M/#20580,,,,,,,,,,,,,  
46,2,,172458-03570,, "LABEL,,1,,,,,W,4,,72458340,M/#20580,,,,,,,,,,,,,  
47,2,,172458-03230,, "LABEL,FUSE",,1,,,,,,,,,,,,,  
47-1,2,,172458-03231,, "LABEL, HUSE",,1,,,,,N,,,,72458509,M/#21808,,,,,,,,,,,,,I  
48,2,,172458-03240,, "LABEL,LOCK",,1,,,,,3,,,,,,,,,,,,,

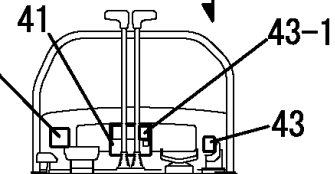
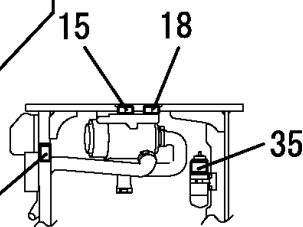
見出しNo. 1は  
見出しNo. 2から48を含みます。  
1 INC. 2~48.



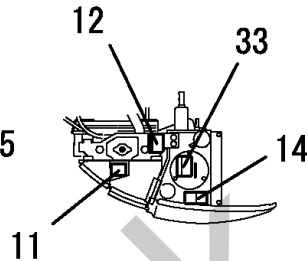
(A) から見る  
VIEWED FROM (A)



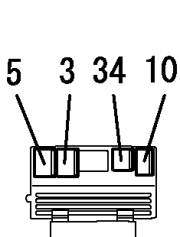
(D) から見る  
VIEWED FROM (D)



(B) から見る  
VIEWED FROM (B)



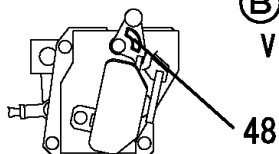
ボンネット内部詳細  
DETAILS OF  
BONNET INSIDE



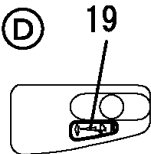
グリル内側詳細  
DETAILS OF  
GRILLE INSIDE



グリルを開いて  
OPEN THE GRILLE

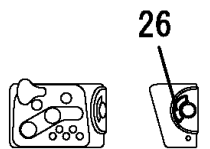
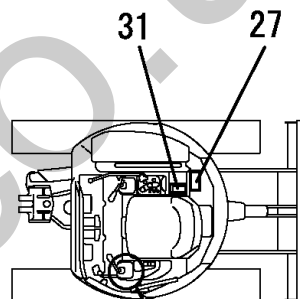


(D) から見る  
VIEWED FROM (D)



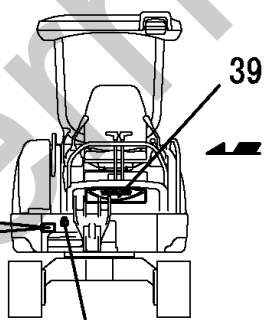
左レバー  
LEFT LEVER

右レバー  
RIGHT LEVER



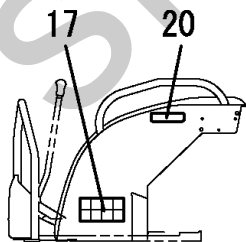
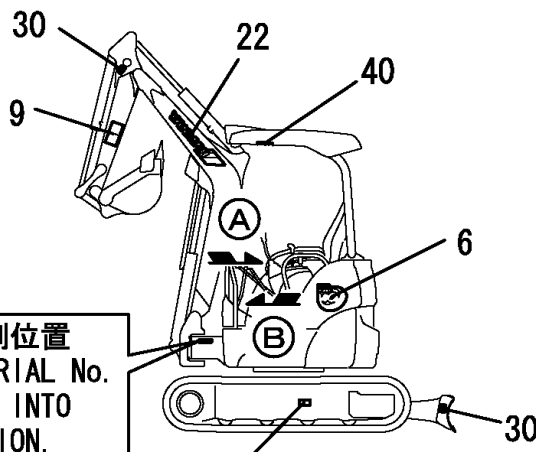
パネルR部詳細  
DETAILS OF  
PANEL R

パネルL部詳細  
DETAILS OF  
PANEL L

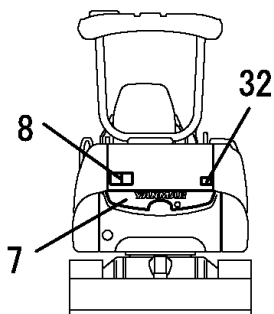


機体No. 機関No. 打刻位置  
MACHINE SERIAL No.  
ENGINE No. IS STAMPED  
INTO THIS LOCATION.

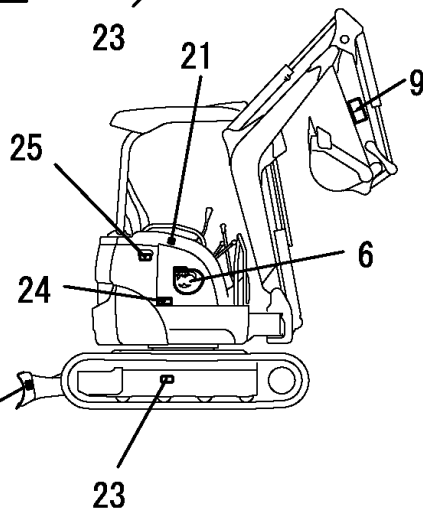
機体No. 打刻位置  
MACHINE SERIAL No.  
IS STAMPED INTO  
THIS LOCATION.



(C) から見る  
VIEWED FROM (C)

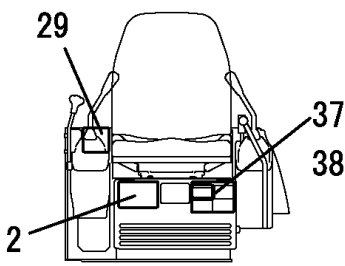


取説収納庫在中  
IN THE OPERATION  
MANUAL CASE

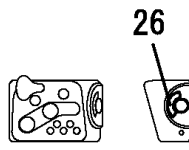


1,1,,772456-03200,, "LABEL ASSY (JP,ROPS)",,1,,,,,,,,,,,,,  
1-1,1,,772456-03201,, "LABEL SET(VIO20-  
2ROP",,1,,,,,N,,,,,72457041,M/#21827,,,,,,,,,,,,,I  
2,2,,172456-03110,, "LABEL,SPECIFICATION",,1,,,,,,,,,,,,,  
2-1,2,,172456-03111,, "LABEL,  
SPECIFICATION",,1,,,,,N,,,,,72456191,M/#21310,,,,,,,,,,,,,I  
2-2,2,,172456-03112,, "LABEL,,1,,,,,N,,,,,72457041,M/#21827,,,,,,,,,,,,,I  
3,2,,172456-03120,, "LABEL,OIL & WATER",,1,,,,,,,,,,,,,  
4,2,,172157-03130,, "LABEL, GREASE",,1,,,,,,,,,,,,,  
5,2,,172458-03130,, "LABEL, GREASE FEED",,1,,,,,,,,,,,,,  
6,2,,172456-03150,, "LABEL,MODEL",,2,,,,,,,,,,,,,  
7,2,,172458-03160,, "LABEL, REAR",,1,,,,,,,,,,,,,  
8,2,,172444-03170,, "LABEL,,1,,,,,,,,,,,,,  
9,2,,172444-03180,, "LABEL,,2,,,,,,,,,,,,,  
10,2,,172458-03181,, "LABEL, LIFTING",,1,,,,,,,,,,,,,  
11,2,,172444-03190,, "LABEL,,1,,,,,,,,,,,,,  
12,2,,172458-03190,, "LABEL,OILING",,1,,,,,,,,,,,,,  
13,2,,172141-03202,, "LABEL,CAUTION",,1,,,,,,,,,,,,,  
14,2,,172450-03200,, "LABEL,BATTERY",,1,,,,,,,,,,,,,  
15,2,,172458-03200,, "LABEL,FAN",,1,,,,,,,,,,,,,  
16,2,,172147-03210,, "LABEL,2 SPEED",,1,,,,,Z,,,,,724600328,M/#25604,,,,,,,,,,,,,I  
17,2,,172444-03210,, "LABEL,,1,,,,,,,,,,,,,  
18,2,,172458-03210,, "LABEL,BELT",,1,,,,,,,,,,,,,  
19,2,,172458-03220,, "LABEL,ACCELERATOR",,1,,,,,,,,,,,,,  
20,2,,172444-03240,, "LABEL,,1,,,,,,,,,,,,,  
21,2,,172183-03250,, "LABEL,FUEL",,1,,,,,,,,,,,,,  
22,2,,172524-03271,, "LABEL,,1,,,,,,,,,,,,,  
23,2,,172444-03280,, "LABEL,,2,,,,,,,,,,,,,  
24,2,,172142-03302,, "LABEL,CAUTION",,1,,,,,,,,,,,,,  
25,2,,172455-03340,, "LABEL,,1,,,,,,,,,,,,,  
26,2,,172141-03360,, "LABEL, START SWITCH",,1,,,,,,,,,,,,,  
27,2,,172964-03370,, "LABEL,,1,,,,,,,,,,,,,  
28,2,,172964-03481,, "LABEL,DANGER",,1,,,,,,,,,,,,,  
29,2,,172164-03510,, "LABEL,LOADING",,1,,,,,,,,,,,,,  
30,2,,172437-03510,, "LABEL,HOOK",,3,,,,,,,,,,,,,  
31,2,,172164-03540,, "LABEL,,1,,,,,,,,,,,,,  
32,2,,172519-04180,, "LABEL,WARNING",,1,,,,,,,,,,,,,  
33,2,,172519-04290,, "LABEL,WARNING",,1,,,,,,,,,,,,,  
34,2,,172165-03240,, "LABEL,,1,,,,,2,,,,,,,,,,,,,  
35,2,,121470-44540,, "LABEL, SUB-TANK",,1,,,,,,,,,,,,,  
36,2,,172183-03280,, "LABEL,LOCK",,2,,,,,,,,,,,,,  
37,2,,172444-03290,, "MAGNET",,1,,,,,1,,,,,,,,,,,,,  
38,2,,172151-03551,, "LABEL,,1,,,,,1,,,,,,,,,,,,,  
39,2,,172460-03140,, "LABEL,FRONT",,1,,,,,,,,,,,,,  
40,2,,172460-03230,, "LABEL,SEAT BELT",,1,,,,,,,,,,,,,  
41,2,,172151-03540,, "LABEL,PATTERN A",,1,,,,,,,,,,,,,  
41-1,2,,172490-03200,, "LABEL,,1,,,,,N,,,,,724600328,,724600328,M/#25604,,,,,,,,,,,,,I  
41-1,2,,172490-03200,, "LABEL,,1,,,,,N,,,,,724600328,,724600328,M/#25604,,,,,,,,,,,,,I  
41-1,2,,172490-03200,, "LABEL,,1,,,,,N,,,,,724600328,M/#25604,,,,,,,,,,,,,I  
42,2,,172173-03250,, "LABEL,,1,,,,,,,,,,,,,  
43,2,,172458-03230,, "LABEL,FUSE",,1,,,,,,,,,,,,,  
43-1,2,,172458-03231,, "LABEL, HUSE",,1,,,,,N,,,,,72458509,M/#21808,,,,,,,,,,,,,I  
44,2,,172460-03240,, "LABEL,ROPS",,1,,,,,,,,,,,,,

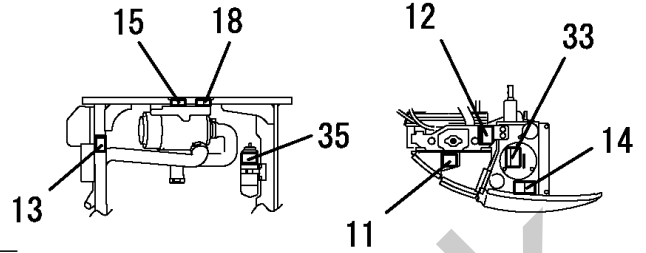
見出しNo. 1は  
見出しNo. 2から44を含みます。  
1 INC. 2~44



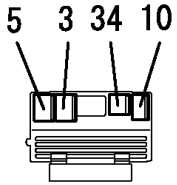
(A) から見る  
VIEWED FROM (A)



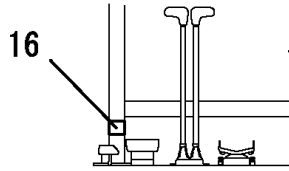
パネルR部詳細  
DETAILS OF  
PANEL R



ボンネット内部詳細  
DETAILS OF  
BONNET INSIDE

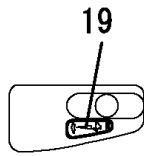


グリルを開いて  
OPEN THE GRILLE

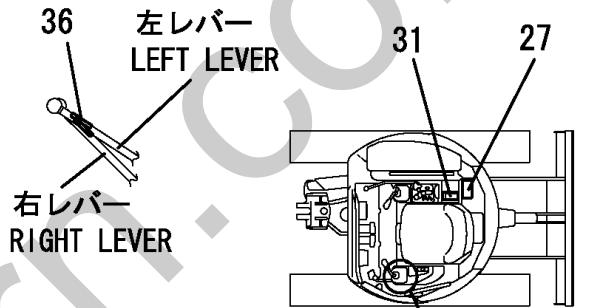


(B) から見る  
VIEWED FROM (B)

グリル内側詳細  
DETAILS OF  
GRILLE INSIDE

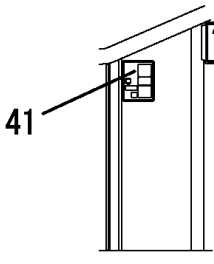


パネルL部詳細  
DETAILS OF  
PANEL L

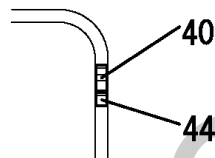


左レバー  
LEFT LEVER  
右レバー  
RIGHT LEVER

キャノピーNo. 打刻位置  
CANOPY SERIAL No.  
IS STAMPED INTO  
THIS LOCATION.

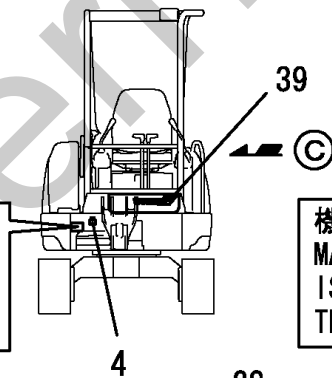


(D) から見る  
VIEWED FROM (D)

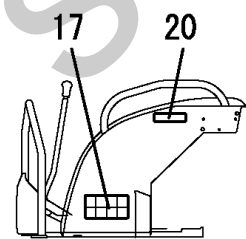
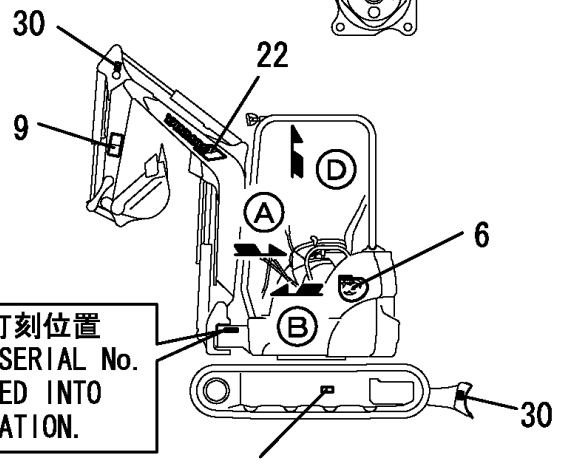


(E) から見る  
VIEWED FROM (E)

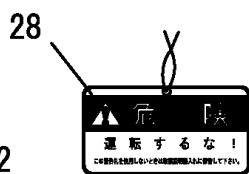
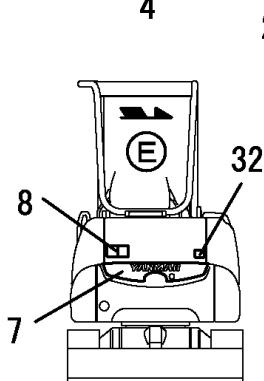
機体No. 機関No. 打刻位置  
MACHINE SERIAL No.  
ENGINE No. IS STAMPED  
INTO THIS LOCATION.



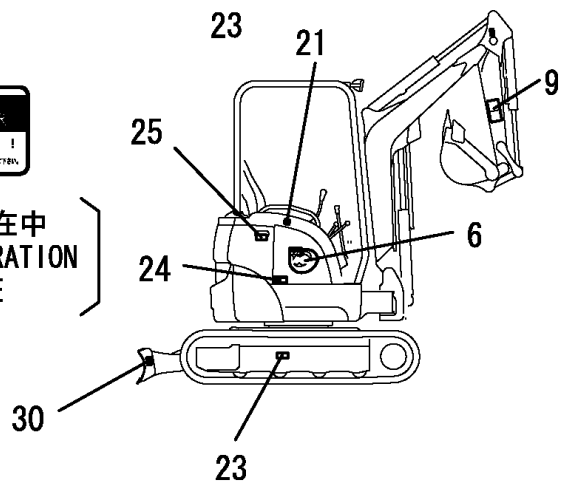
機体No. 打刻位置  
MACHINE SERIAL No.  
IS STAMPED INTO  
THIS LOCATION.



(C) から見る  
VIEWED FROM (C)



取説収納庫在中  
IN THE OPERATION  
MANUAL CASE

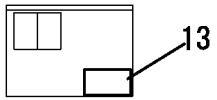


1,1,,772956-03100,, "LABEL ASSY(JP.Q)",,1,,,,,M,,,,,,,,,,,,,I  
1-1,1,,772958-03100,, "LABEL SET,VIO(QUICK",,1,1,,,,,,,,,,,,,I  
2,2,,172958-03110,, LABEL,1,1,,,,,,,,,,,,,  
3,2,,172958-03120,, LABEL,,1,,,,,,,,,,,,,  
4,2,,172958-03130,, LABEL,,1,,,,,,,,,,,,,  
5,2,,172958-03140,, LABEL,1,1,,,,,,,,,,,,,  
6,2,,172958-03160,, LABEL,1,1,,,,,,,,,,,,,  
7,2,,172958-03180,, LABEL,1,1,,,,,729580074,,729580074,,,,,I  
8,2,,172958-03190,, LABEL,1,1,,,,,729580074,,729580074,,,,,I  
9,2,,172958-03200,, LABEL,2,2,,,,,,,,,,,,,  
10,2,,172958-03220,, LABEL,1,1,,,,,,,,,,,,,  
11,2,,172458-03240,, "LABEL,LOCK",,1,1,,,,,,,,,,,,,  
12,2,,172958-03230,, "LABEL,PIN",,1,1,,,,,W,,,,72958054,M/#20945,,,,,  
13,2,,172958-03310,, "LABEL,COLLAR",,1,1,,,,,W,1,,72958056,M/#21004,,,,,  
14,2,,172958-03300,, "LABEL,PLUG",,1,1,,,,,W,,,,72958055,M/#21004,,,,,  
15,2,,172958-03100,, LABEL,1,1,,,,,,,,,,,,,  
16,2,,172958-03170,, LABEL,1,,,,,,,,,,,,,I

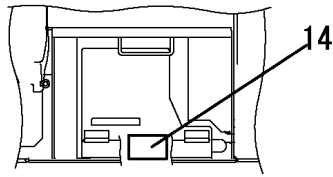
Silverhorn.CO.UK



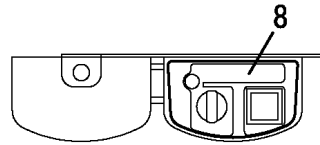
見出しNo. 1は  
見出しNo. 2から16を含みます。  
1 INC. 2~16.



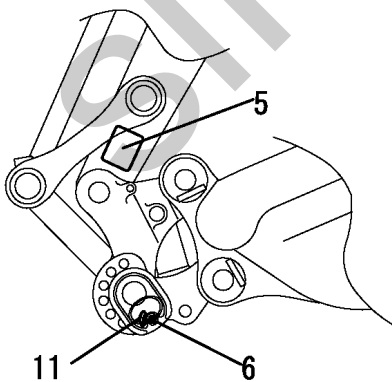
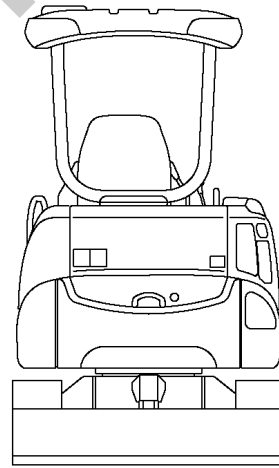
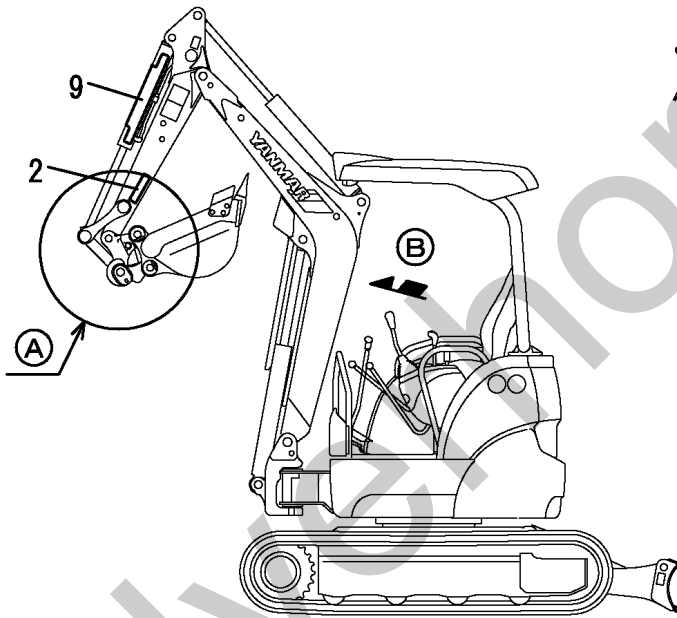
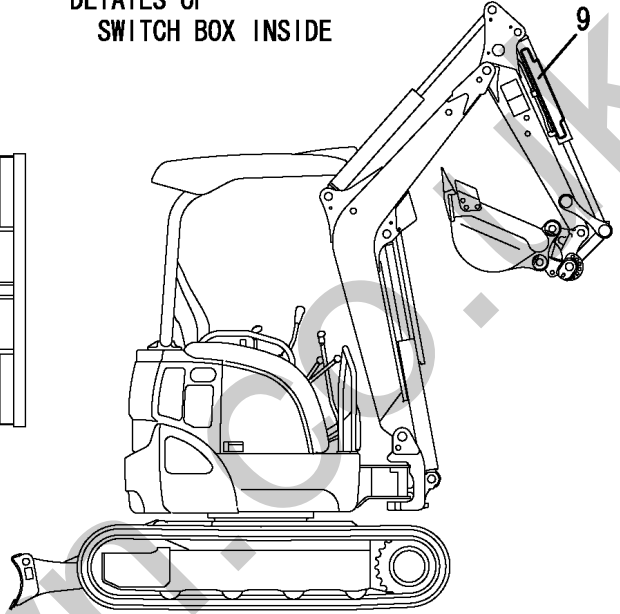
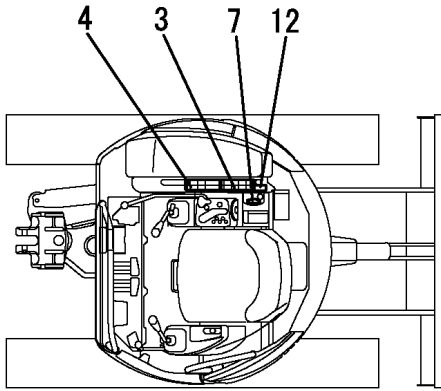
取説入れ詳細  
DETAILS OF MANUAL CASE



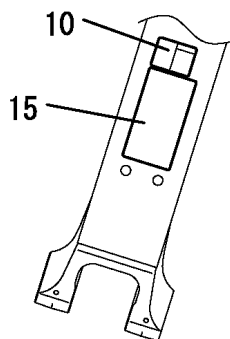
グリルを開いて  
OPEN THE GRILLE



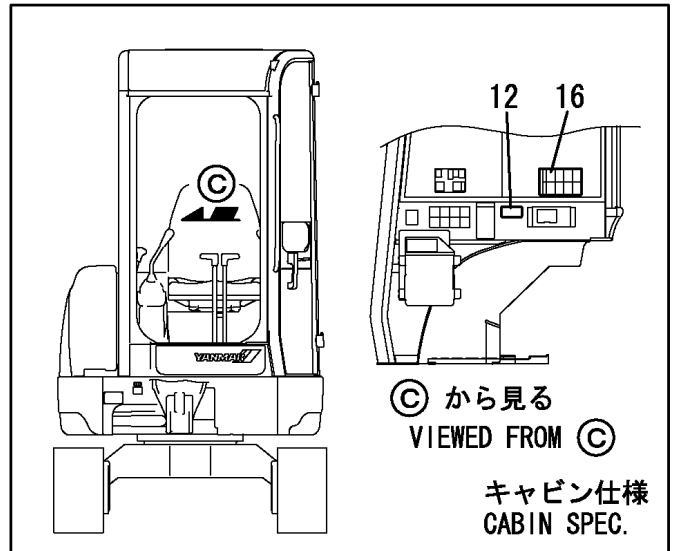
スイッチBOX内側詳細  
DETAILS OF  
SWITCH BOX INSIDE



Ⓐ 部詳細  
DETAILS OF Ⓐ



Ⓑ から見る  
VIEWED FROM Ⓑ

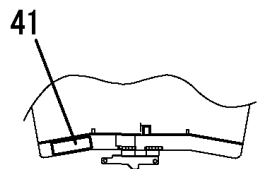
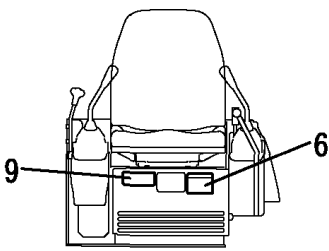


Ⓒ から見る  
VIEWED FROM Ⓒ

キャビン仕様  
CABIN SPEC.

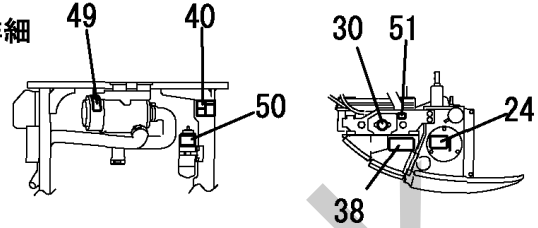
1,1,,772469-03140,, "LABEL ASSY(EX.P)",,,,1,,,,,,,,,,,,,I  
2,2,,172458-03140,, "LABEL, FRONT",,,,1,,,,,,,,,,,,,I  
3,2,,172469-03140,, "LABEL,OIL&WATER",,,,1,,,,,,,,,,,,,I  
4,2,,172456-03150,, "LABEL,MODEL",,,,2,,,,,,,,,,,,,I  
5,2,,172458-03160,, "LABEL, REAR",,,,1,,,,,,,,,,,,,I  
6,2,,172472-03160,, "LABEL,GREASE",,,,1,,,,,,,,,,,,,I  
7,2,,172958-03160,, LABEL,,,,,1,,,,,,,,,,,,,I  
8,2,,172472-03170,, "LABEL,FUSE",,,,1,,,,,,,,,,,,,I  
9,2,,172469-03201,, "LABEL,SPECIFICATION",,,,1,,,,,,,,,,,,,I  
10,2,,172490-03200,, LABEL,,,,,1,,,,,,,,,,,,,I  
11,2,,172490-03210,, "LABEL, P.T.O.",,,,1,1,,,,,,,,,,,,,I  
12,2,,172458-03220,, "LABEL,ACCELERATOR",,,,1,,,,,,,,,,,,,I  
13,2,,172472-03230,, "LABEL,OPERATION PIN",,,,1,,,,,,,,,,,,,I  
14,2,,172437-03241,, "LABEL,CRAWLER",,,,1,2,,,,,,,,,,,,,I  
15,2,,172458-03240,, "LABEL,LOCK",,,,2,,,,,,,,,,,,,I  
16,2,,172472-03240,, "LABEL,PIN US",,,,1,,,,,,,,,,,,,I  
17,2,,172437-03250,, "TAG,SERVICING ASSY",,,,1,,,,,,,,,,,,,I  
18,2,,172472-03250,, "LABEL,OPERATION Q US",,,,1,,,,,,,,,,,,,I  
19,2,,172472-03260,, "LABEL,FINGER",,,,1,,,,,,,,,,,,,I  
20,2,,172472-03270,, "LABEL,SAND US",,,,1,,,,,,,,,,,,,I  
21,2,,172524-03271,, LABEL,,,,,2,,,,,,,,,,,,,I  
22,2,,172183-03280,, "LABEL,LOCK",,,,2,,,,,,,,,,,,,I  
23,2,,172472-03280,, LABEL,,,,,1,,,,,,,,,,,,,I  
24,2,,172463-03290,, "LABEL,HYD.OIL US",,,,1,,,,,,,,,,,,,I  
25,2,,172472-03290,, "LABEL,SWITCH",,,,1,,,,,,,,,,,,,I  
26,2,,172437-03300,, "LABEL,MANUAL",,,,1,,,,,,,,,,,,,I  
27,2,,172472-03300,, "LABEL,COVER",,,,1,,,,,,,,,,,,,I  
28,2,,172437-03310,, "LABEL,SLOPE",,,,1,,,,,,,,,,,,,I  
29,2,,172437-03321,, "LABEL,HYD.OIL TANK",,,,1,,,,,,,,,,,,,I  
30,2,,172462-03320,, LABEL,,,,,1,,,,,,,,,,,,,I  
31,2,,172463-03330,, "LABEL,COVER",,,,1,,,,,,,,,,,,,I  
32,2,,172437-03341,, "LABEL,TRANSPORT",,,,1,,,,,,,,,,,,,I  
33,2,,172437-03351,, "LABEL,GREASE CYL.",,,,2,,,,,,,,,,,,,I  
34,2,,172141-03360,, "LABEL, START SWITCH",,,,1,,,,,,,,,,,,,I  
35,2,,172437-03360,, "LABEL,BATTERY",,,,1,,,,,,,,,,,,,I  
36,2,,172437-03371,, LABEL,,,,,1,,,,,,,,,,,,,I  
37,2,,172437-03380,, "LABEL,SWING AREA",,,,1,,,,,,,,,,,,,I  
38,2,,172437-03390,, "LABEL,RADIATOR",,,,1,,,,,,,,,,,,,I  
39,2,,172437-03401,, "LABEL (ENG COVER US",,,,1,,,,,,,,,,,,,I  
40,2,,172437-03411,, "LABEL (ENG ROOM US",,,,1,,,,,,,,,,,,,I  
41,2,,172437-03421,, "LABEL,MUFFLER",,,,1,,,,,,,,,,,,,I  
42,2,,172437-03431,, "LABEL,STEERING",,,,1,,,,,,,,,,,,,I  
43,2,,172437-03460,, "LABEL, BOOM",,,,2,,,,,,,,,,,,,I  
44,2,,172437-03470,, "LABEL,LEVER LOCK",,,,1,,,,,,,,,,,,,I  
45,2,,172437-03500,, "LABEL,FUEL",,,,1,,,,,,,,,,,,,I  
46,2,,172437-03510,, "LABEL,HOOK",,,,4,,,,,,,,,,,,,I  
47,2,,172437-03530,, "LABEL,RE-START",,,,1,,,,,,,,,,,,,I  
48,2,,172157-03740,, LABEL,,,,,1,,,,,,,,,,,,,I  
49,2,,172125-03950,, "LABEL, AIR CLEANER",,,,1,,,,,,,,,,,,,I  
50,2,,124764-44810,, "LABEL, SUB-TANK",,,,1,,,,,,,,,,,,,I  
51,2,,124764-44920,, "LABEL, ANTI-FREEZING",,,,1,,,,,,,,,,,,,I

見出しNo. 1は  
見出しNo. 2から51を含みます。  
1 INC. 2~51.



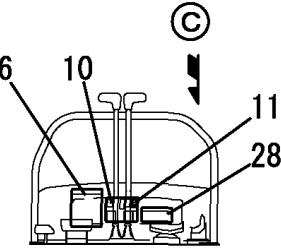
ボンネットカバー内部  
BONNET COVER INSIDE

マルチカバー部詳細  
DETAILS OF  
MULTI COVER



ボンネット内部詳細  
DETAILS OF  
BONNET INSIDE

(A) から見る  
VIEWED FROM (A)

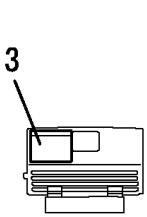


(B) から見る  
VIEWED FROM (B)



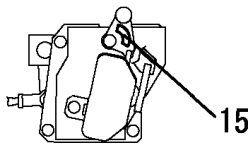
スイッチBOX詳細  
DETAILS OF  
SWITCH BOX

スイッチBOX内側詳細  
DETAILS OF  
SWITCH BOX INSIDE

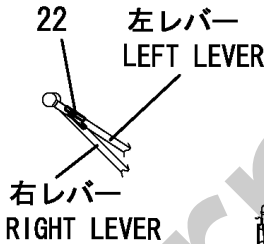


グリルを開いて  
OPEN THE GRILLE

グリル内側詳細  
DETAILS OF  
GRILLE INSIDE

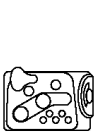


(C) から見る  
VIEWED FROM (C)

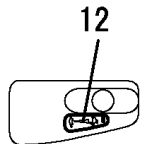


右レバー  
RIGHT LEVER

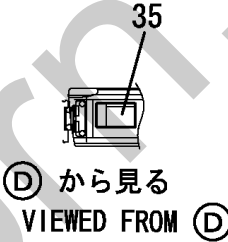
左レバー  
LEFT LEVER



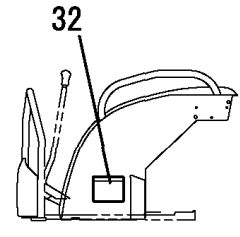
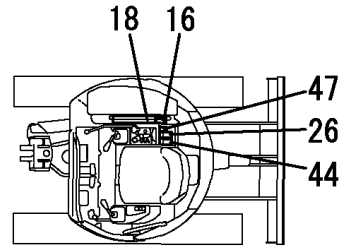
パネルR部詳細  
DETAILS OF  
PANEL R



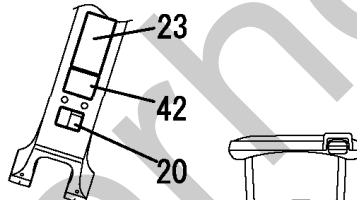
パネルL部詳細  
DETAILS OF  
PANEL L



(D) から見る  
VIEWED FROM (D)

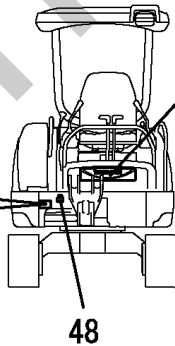


(E) から見る  
VIEWED FROM (E)

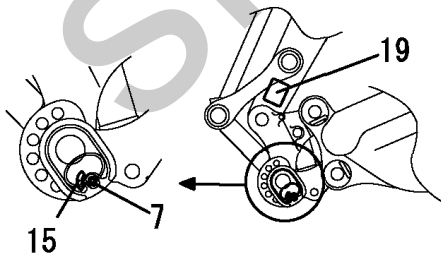
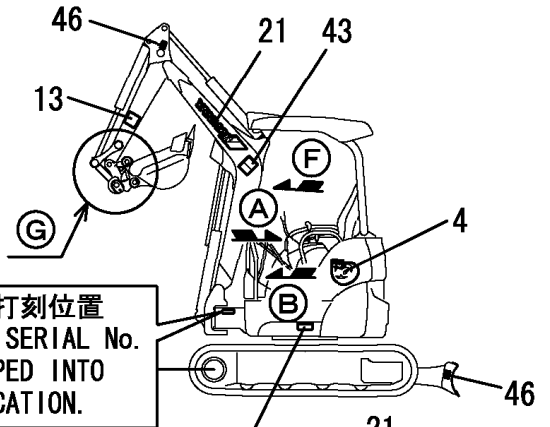


(F) から見る  
VIEWED FROM (F)

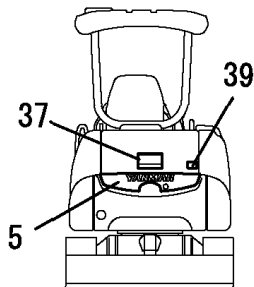
機体No. 機関No. 打刻位置  
MACHINE SERIAL No.  
ENGINE No. IS STAMPED  
INTO THIS LOCATION.



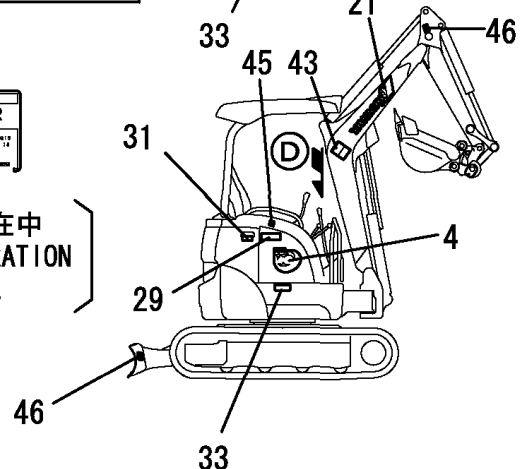
機体No. 打刻位置  
MACHINE SERIAL No.  
IS STAMPED INTO  
THIS LOCATION.



(G) 部詳細  
DETAILS OF (G)

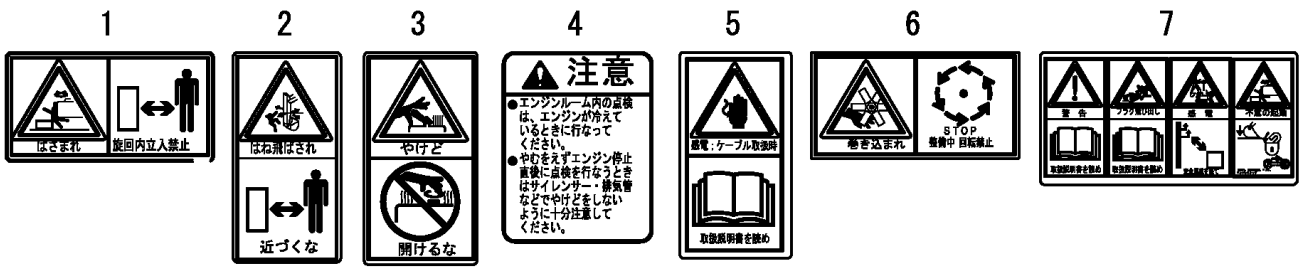


取説収納庫在中  
IN THE OPERATION  
MANUAL CASE

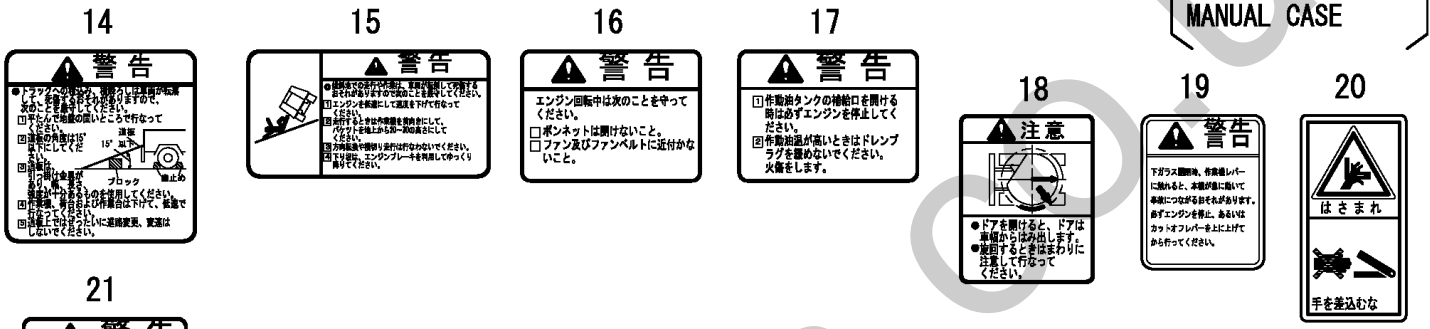


1,1,,172444-03170,,LABEL,1,,,,,,,,,,,,,I  
2,1,,172444-03180,,LABEL,2,,,,,,,,,,,,,I  
3,1,,172444-03190,,LABEL,1,,,,,,,,,,,,,I  
4,1,,172141-03202,, "LABEL,CAUTION",1,,,,,,,,,,,,,I  
5,1,,172450-03200,, "LABEL,BATTERY",1,,,,,,,,,,,,,I  
6,1,,172458-03200,, "LABEL,FAN",1,,,,,,,,,,,,,I  
7,1,,172444-03210,,LABEL,1,,,,,,,,,,,,,I  
8,1,,172458-03210,, "LABEL,BELT",1,,,,,,,,,,,,,I  
9,1,,172444-03240,,LABEL,1,,,,,,,,,,,,,I  
10,1,,172444-03280,,LABEL,2,,,,,,,,,,,,,I  
11,1,,172142-03302,, "LABEL,CAUTION",1,,,,,,,,,,,,,I  
12,1,,172964-03370,,LABEL,1,,,,,,,,,,,,,I  
13,1,,172964-03481,, "LABEL,DANGER",1,,,,,,,,,,,,,I  
14,1,,172164-03510,, "LABEL,LOADING",1,,,,,,,,,,,,,I  
15,1,,172164-03540,,LABEL,1,,,,,,,,,,,,,I  
16,1,,172519-04180,, "LABEL,WARNING",1,,,,,,,,,,,,,I  
17,1,,172519-04290,, "LABEL,WARNING",1,,,,,,,,,,,,,I  
18,1,,172175-03170,,LABEL,1,,,,,,,,,,,,,I  
19,1,,172456-03170,,LABEL,1,,,,,,,,,,,,,I  
20,1,,172445-03230,,LABEL,1,,,,,,,,,,,,,I  
21,1,,172455-03520,,LABEL,1,,,,,,,,,,,,,I

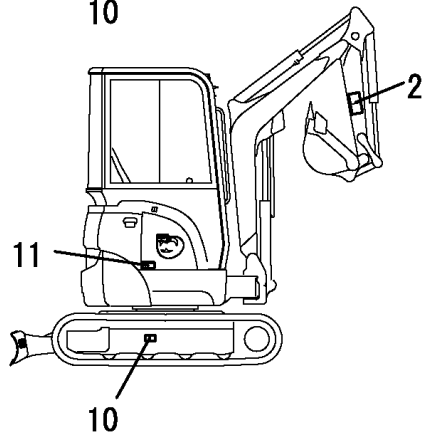
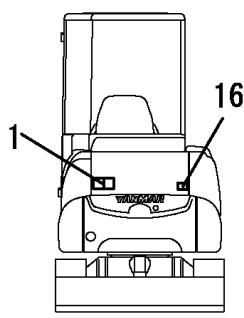
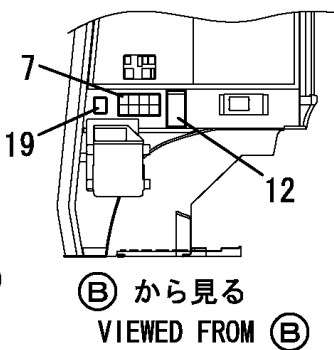
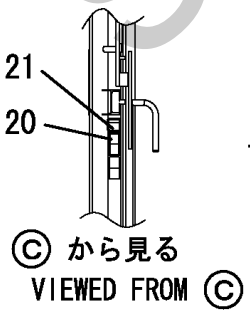
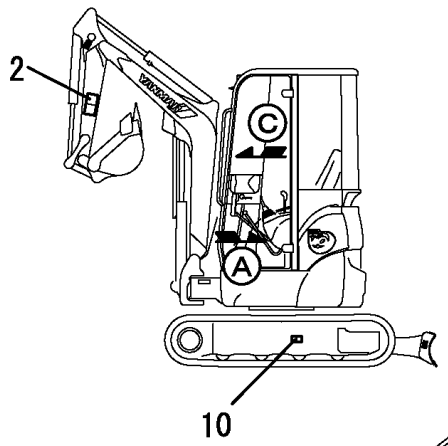
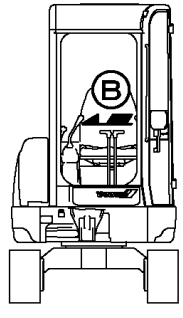
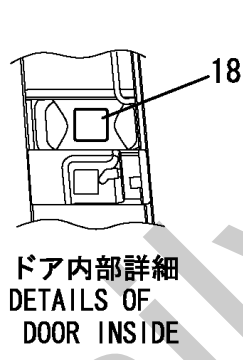
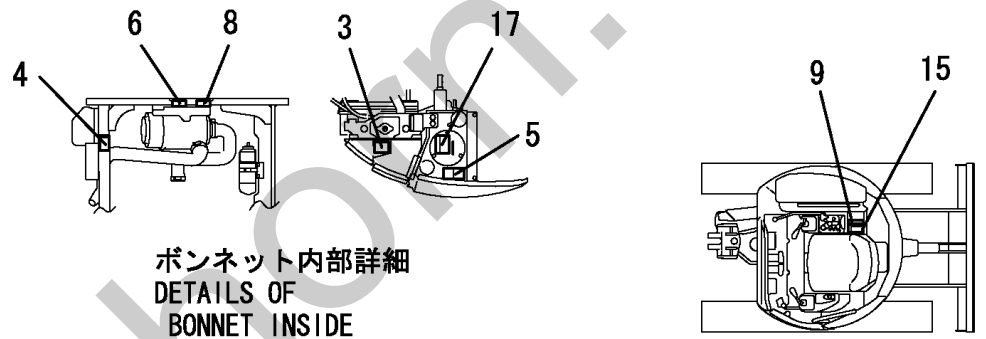
Silverhorn.CO.UK



取説収納庫在中  
IN THE OPERATION  
MANUAL CASE

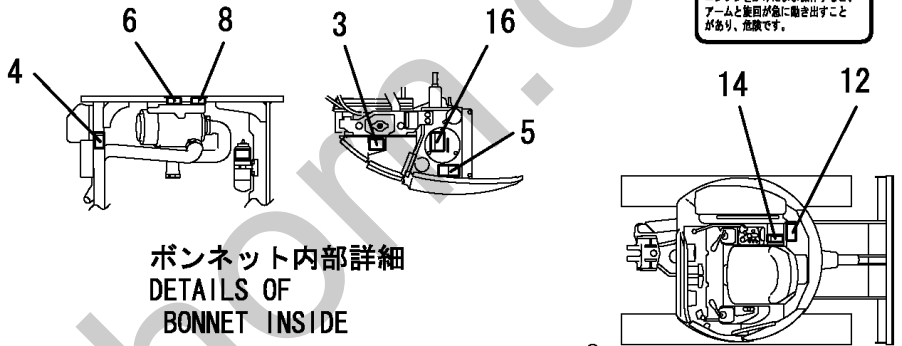
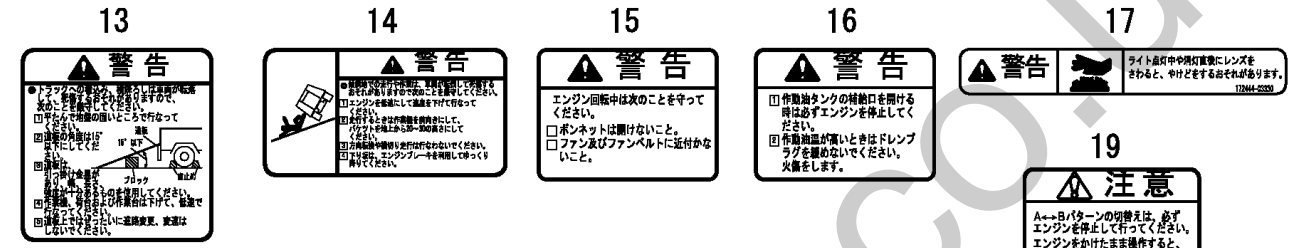
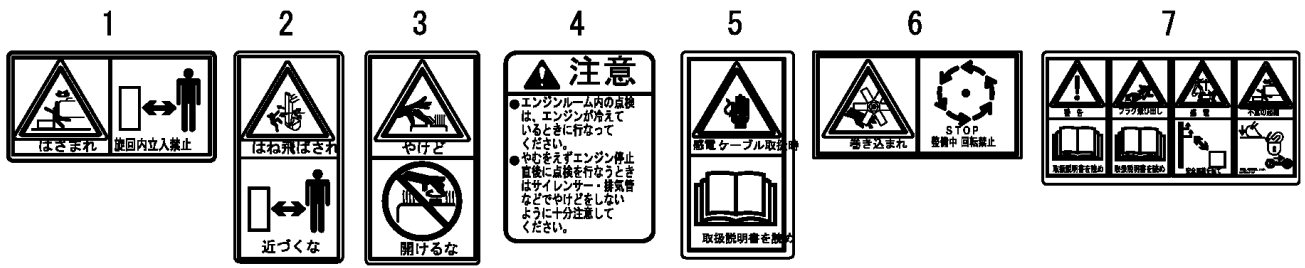


21  
**警告**  
窓を開けるときは、両側のロックピンが「カチッ」と音がするまで確実にロックしてください。窓がすべり落ちて、ケガをするおそれがあります。

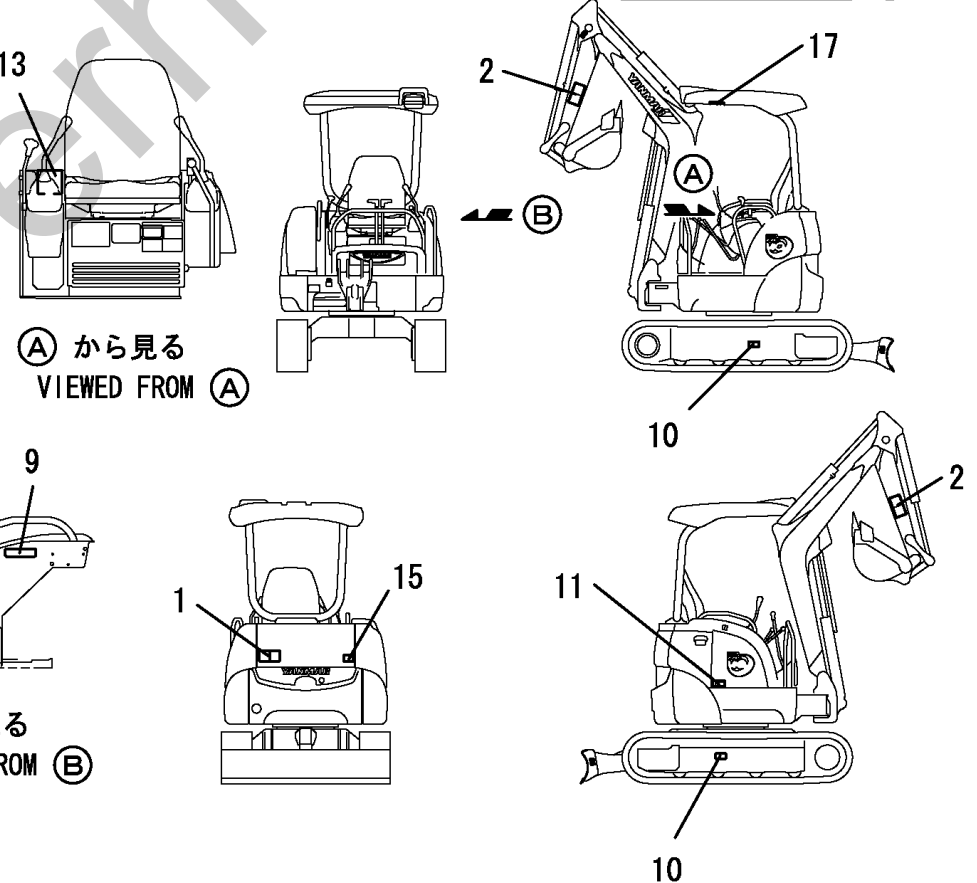
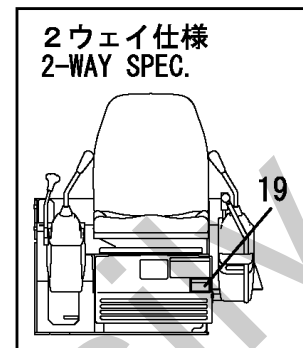


1,1,,172444-03170,,LABEL,,1,,,,,,,,,,,,,,,,,,,,,  
2,1,,172444-03180,,LABEL,,2,,,,,,,,,,,,,,,,,,,,,  
3,1,,172444-03190,,LABEL,,1,,,,,,,,,,,,,,,,,,,,,  
4,1,,172141-03202,, "LABEL,CAUTION" ,,1,,,,,,,,,,,,,,,,,,,,,  
5,1,,172450-03200,, "LABEL,BATTERY" ,,1,,,,,,,,,,,,,,,,,,,,,  
6,1,,172458-03200,, "LABEL,FAN" ,,1,,,,,,,,,,,,,,,,,,,,,  
7,1,,172444-03210,,LABEL,,1,,,,,,,,,,,,,,,,,,,,,  
8,1,,172458-03210,, "LABEL,BELT" ,,1,,,,,,,,,,,,,,,,,,,,,  
9,1,,172444-03240,,LABEL,,1,,,,,,,,,,,,,,,,,,,,,  
10,1,,172444-03280,,LABEL,,2,,,,,,,,,,,,,,,,,,,,,  
11,1,,172142-03302,, "LABEL,CAUTION" ,,1,,,,,,,,,,,,,,,,,,,,,  
12,1,,172964-03370,,LABEL,,1,,,,,,,,,,,,,,,,,,,,,  
13,1,,172164-03510,, "LABEL,LOADING" ,,1,,,,,,,,,,,,,,,,,,,,,  
14,1,,172164-03540,,LABEL,,1,,,,,,,,,,,,,,,,,,,,,  
15,1,,172519-04180,, "LABEL,WARNING" ,,1,,,,,,,,,,,,,,,,,,,,,  
16,1,,172519-04290,, "LABEL,WARNING" ,,1,,,,,,,,,,,,,,,,,,,,,  
17,1,,172444-03330,,LABEL,,1,,,,,,,,,,,,,,,,,,,,,  
18,1,,172964-03481,, "LABEL,DANGER" ,,1,,,,,,,,,,,,,,,,,,,,,  
19,1,,172458-03570,,LABEL,,1,,,,,W,1,,72458340,M/#20580,,,,,,

Silverhorn.CO.UK



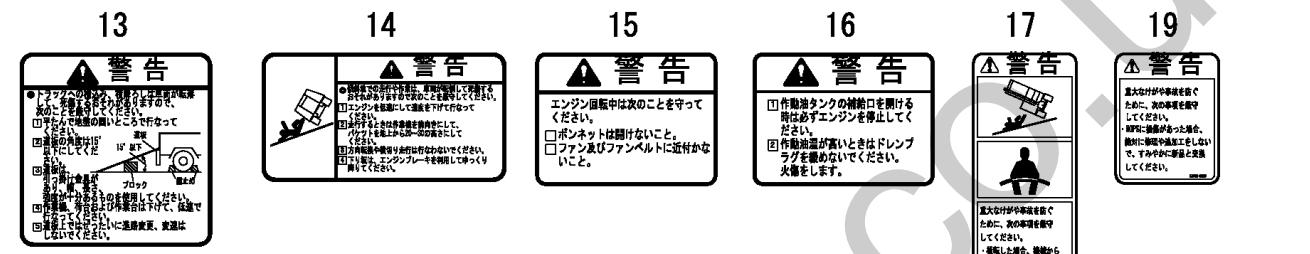
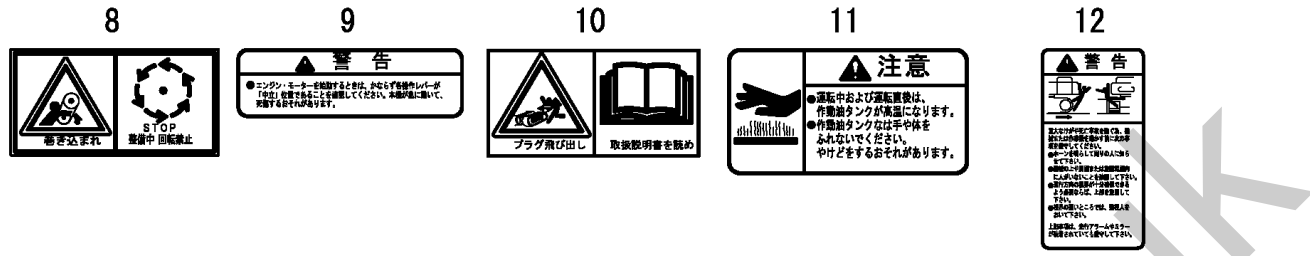
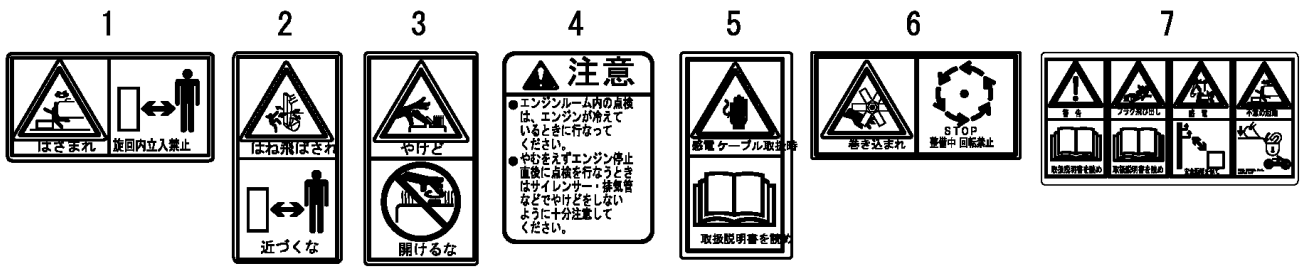
取説収納庫在中  
IN THE OPERATION  
MANUAL CASE



1,1,,172444-03170,,LABEL,,1,,,,,,,,,,,,,,,,,,,,,  
2,1,,172444-03180,,LABEL,,2,,,,,,,,,,,,,,,,,,,,,  
3,1,,172444-03190,,LABEL,,1,,,,,,,,,,,,,,,,,,,,,  
4,1,,172141-03202,, "LABEL,CAUTION" ,,1,,,,,,,,,,,,,,,,,,,,,  
5,1,,172450-03200,, "LABEL,BATTERY" ,,1,,,,,,,,,,,,,,,,,,,,,  
6,1,,172458-03200,, "LABEL,FAN" ,,1,,,,,,,,,,,,,,,,,,,,,  
7,1,,172444-03210,,LABEL,,1,,,,,,,,,,,,,,,,,,,,,  
8,1,,172458-03210,, "LABEL,BELT" ,,1,,,,,,,,,,,,,,,,,,,,,  
9,1,,172444-03240,,LABEL,,1,,,,,,,,,,,,,,,,,,,,,  
10,1,,172444-03280,,LABEL,,2,,,,,,,,,,,,,,,,,,,,,  
11,1,,172142-03302,, "LABEL,CAUTION" ,,1,,,,,,,,,,,,,,,,,,,,,  
12,1,,172964-03370,,LABEL,,1,,,,,,,,,,,,,,,,,,,,,  
13,1,,172164-03510,, "LABEL,LOADING" ,,1,,,,,,,,,,,,,,,,,,,,,  
14,1,,172164-03540,,LABEL,,1,,,,,,,,,,,,,,,,,,,,,  
15,1,,172519-04180,, "LABEL,WARNING" ,,1,,,,,,,,,,,,,,,,,,,,,  
16,1,,172519-04290,, "LABEL,WARNING" ,,1,,,,,,,,,,,,,,,,,,,,,  
17,1,,172460-03230,, "LABEL,SEAT BELT" ,,1,,,,,,,,,,,,,,,,,,,,,  
18,1,,172964-03481,, "LABEL,DANGER" ,,1,,,,,,,,,,,,,,,,,,,,,  
19,1,,172460-03240,, "LABEL,ROPS" ,,1,,,,,,,,,,,,,,,,,,,,,

Silverhorn.CO.UK

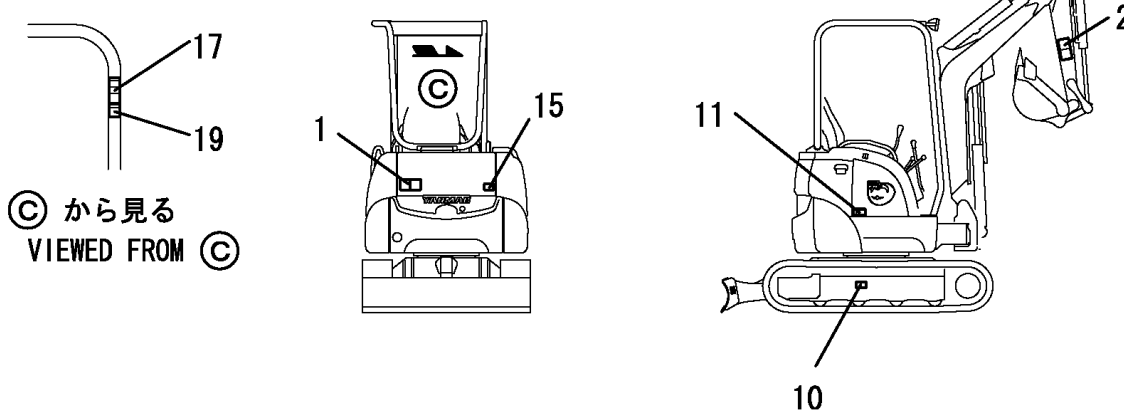
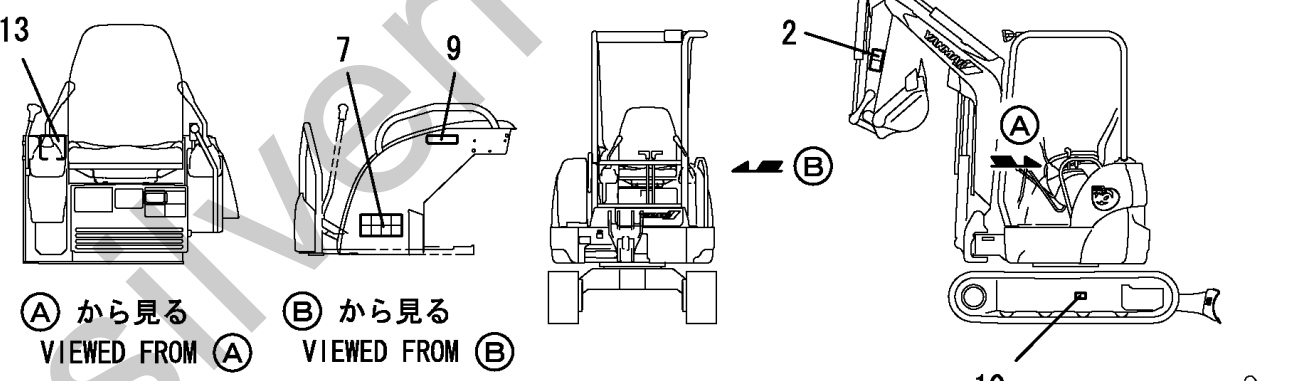
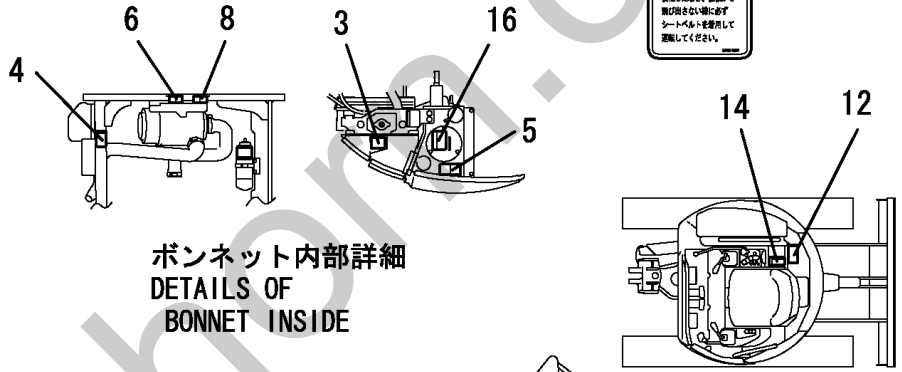




18

**危険**  
運転するな!  
この警告標を使用しないときは取説収納庫内に貼付して下さい。

取説収納庫在中  
IN THE OPERATION  
MANUAL CASE



1,1,,172958-03100,,LABEL,1,1,,,,,,,,,,,,,  
2,1,,172958-03140,,LABEL,1,1,,,,,,,,,,,,,  
3,1,,172958-03220,,LABEL,1,1,,,,,,,,,,,,,  
4,1,,172958-03230,, "LABEL,PIN",1,1,,,,,W,,,,,72958054,M/#20945,,,,,  
5,1,,172958-03300,, "LABEL,PLUG",1,1,,,,,W,,,,,72958055,M/#21004,,,,,

Silverhorn.CO.UK

1

**警告**

重大なケガや事故を防ぐために次の事項を厳守してください。

- クイックヒッチを操作するときは必ずアタッチメントを稼働させてから行ってください。
- クイックヒッチのフックでの吊り作業は絶対に行わないでください。吊り荷が落下して重大事故につながる恐れがあります。
- アタッチメント脱着防止のために安全ピンを必ず脱着してください。
- 安全ピンを装着する時に、クイックヒッチが確実にアタッチメントをつかんでいる事を確認してください。
- アタッチメント脱着時以外は、スイッチボックスのフタを閉めてください。故障・不意の作動につながる恐れがあります。

2

**危険**

指は絶対に入れないでください。重大なケガをするおそれがあります。

3

**注意**

クイックヒッチ部にたまった土等は必ず取り除いて下さい。油圧ホースが損傷するおそれがあります。

4

**注意**

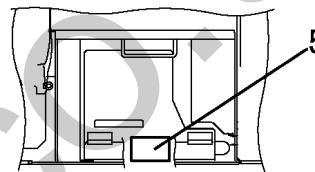
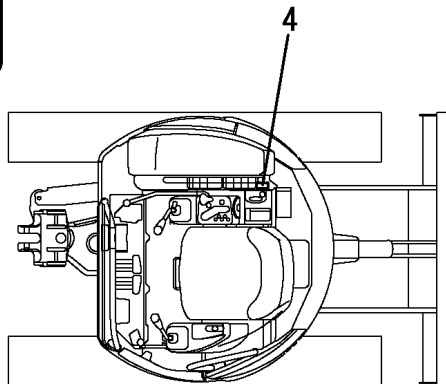
アタッチメントを交換する時は必ず**安全ピン**を抜いて下さい。安全ピンの形状の原因になります。

5

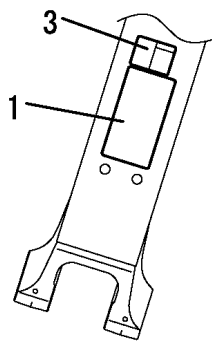
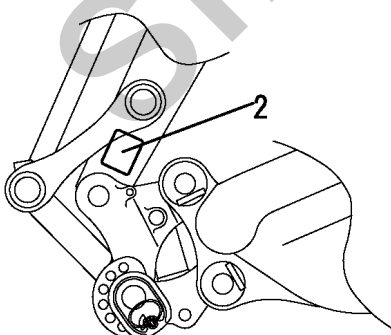
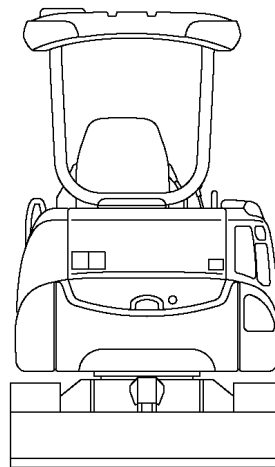
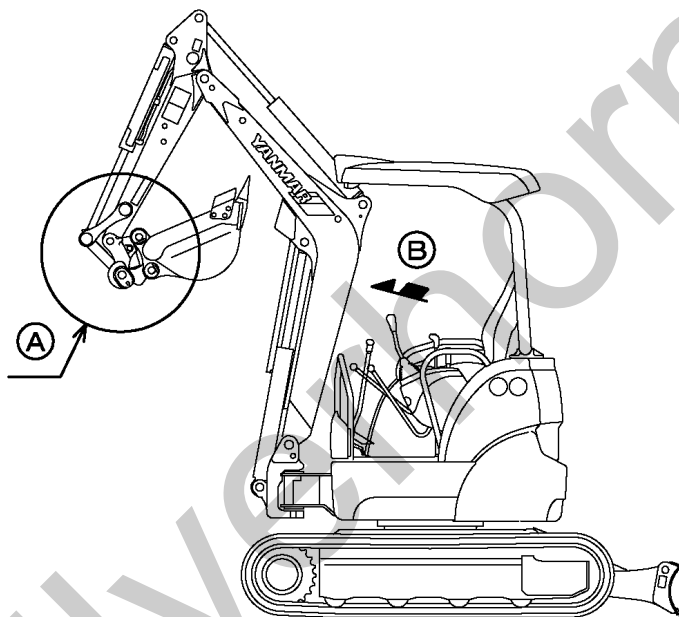
**クイックヒッチ配管用プラグ**

万一、クイックヒッチ・ホースに油もれが発生した場合、ホースを取外してこの応急用プラグを取付け油もれをとめてください。

**注意**  
このプラグを装着しての長時間の作業は行わないでください。速やかに油圧ホースを交換して下さい。

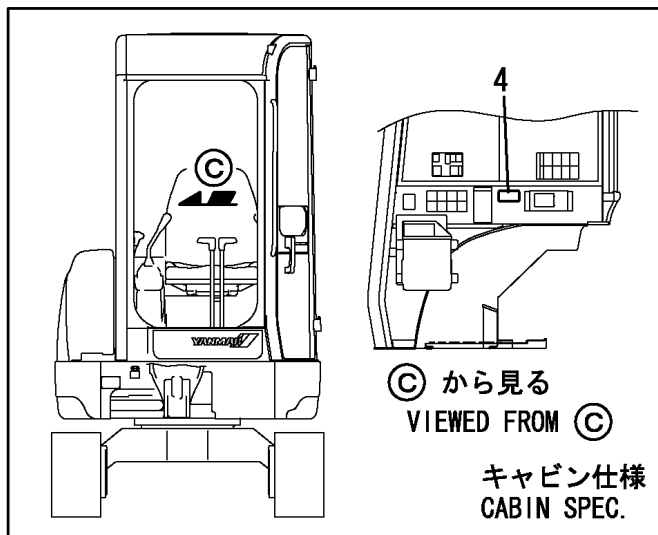


グリルを開いて  
OPEN THE GRILLE



(A) 部詳細  
DETAILS OF (A)

(B) から見る  
VIEWED FROM (B)

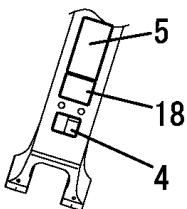
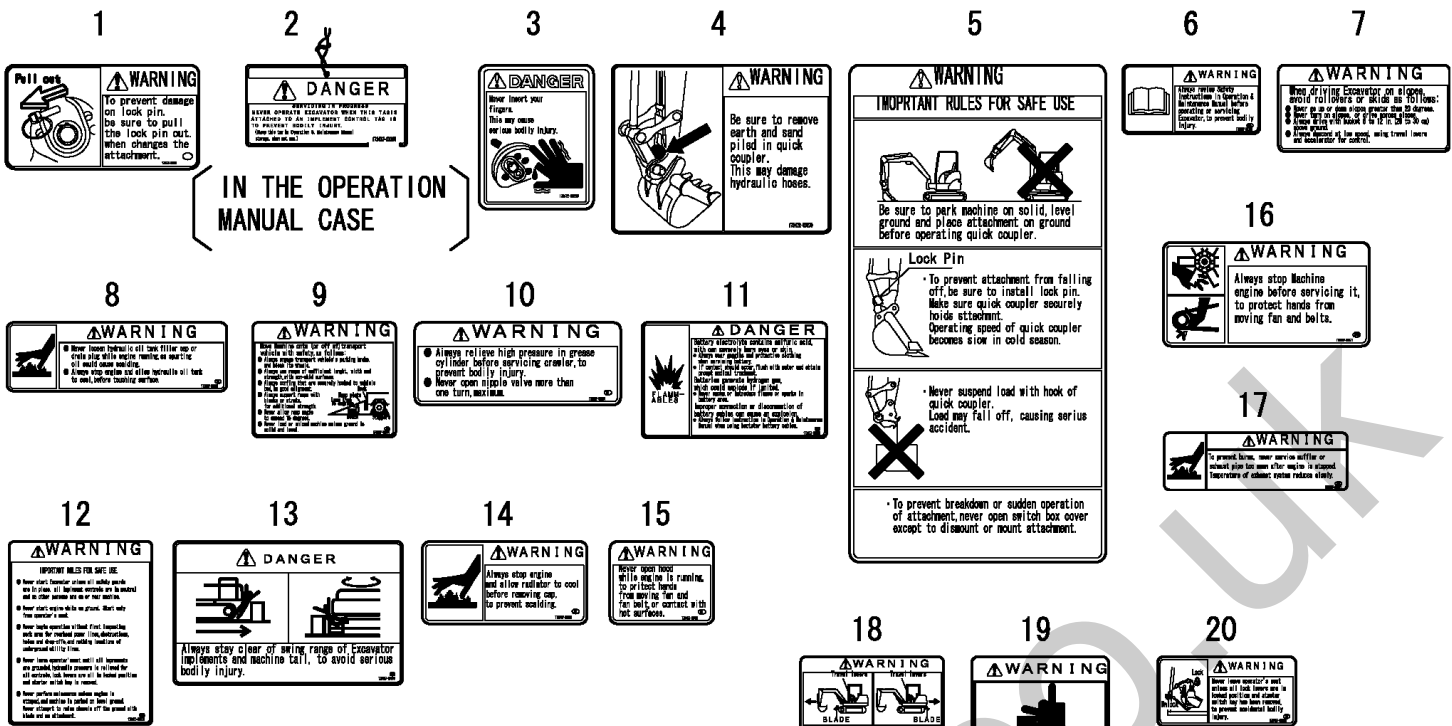


(C) から見る  
VIEWED FROM (C)

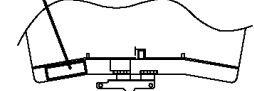
キャビン仕様  
CABIN SPEC.

1,1,,172472-03240,, "LABEL,PIN US",,,,1,,,,,,,,,,,,,,,,,,,,,I  
2,1,,172437-03250,, "TAG,SERVICING ASSY",,,,1,,,,,,,,,,,,,,,,,,,,,I  
3,1,,172472-03260,, "LABEL,FINGER",,,,1,,,,,,,,,,,,,,,,,,,,,I  
4,1,,172472-03270,, "LABEL,SAND US",,,,1,,,,,,,,,,,,,,,,,,,,,I  
5,1,,172472-03280,, LABEL,,,,,1,,,,,,,,,,,,,,,,,,,,,I  
6,1,,172437-03300,, "LABEL,MANUAL",,,,1,,,,,,,,,,,,,,,,,,,,,I  
7,1,,172437-03310,, "LABEL,SLOPE",,,,1,,,,,,,,,,,,,,,,,,,,,I  
8,1,,172437-03321,, "LABEL,HYD.OIL TANK",,,,1,,,,,,,,,,,,,,,,,,,,,I  
9,1,,172437-03341,, "LABEL,TRANSPORT",,,,1,,,,,,,,,,,,,,,,,,,,,I  
10,1,,172437-03351,, "LABEL,GREASE CYL.",,,,2,,,,,,,,,,,,,,,,,,,,,I  
11,1,,172437-03360,, "LABEL,BATTERY",,,,1,,,,,,,,,,,,,,,,,,,,,I  
12,1,,172437-03371,, LABEL,,,,,1,,,,,,,,,,,,,,,,,,,,,I  
13,1,,172437-03380,, "LABEL,SWING AREA",,,,1,,,,,,,,,,,,,,,,,,,,,I  
14,1,,172437-03390,, "LABEL,RADIATOR",,,,1,,,,,,,,,,,,,,,,,,,,,I  
15,1,,172437-03401,, "LABEL (ENG COVER US",,,,1,,,,,,,,,,,,,,,,,,,,,I  
16,1,,172437-03411,, "LABEL (ENG ROOM US",,,,1,,,,,,,,,,,,,,,,,,,,,I  
17,1,,172437-03421,, "LABEL,MUFFLER",,,,1,,,,,,,,,,,,,,,,,,,,,I  
18,1,,172437-03431,, "LABEL,STEERING",,,,1,,,,,,,,,,,,,,,,,,,,,I  
19,1,,172437-03460,, "LABEL, BOOM",,,,2,,,,,,,,,,,,,,,,,,,,,I  
20,1,,172437-03470,, "LABEL,LEVER LOCK",,,,1,,,,,,,,,,,,,,,,,,,,,I

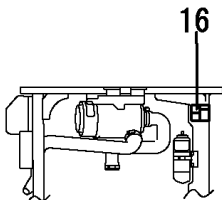
Silverhorn.CO.UK



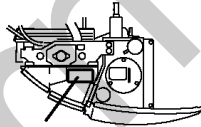
⑤ から見る  
VIEWED FROM ⑤



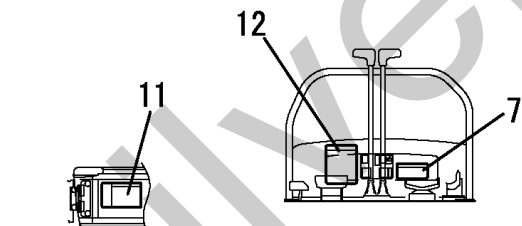
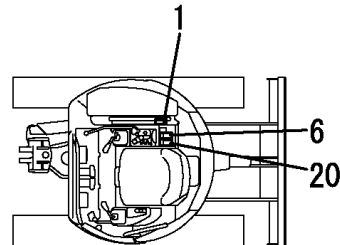
⑬ ボンネットカバー内部  
BONNET COVER INSIDE



⑬ ボンネット内部詳細  
DETAILS OF BONNET INSIDE

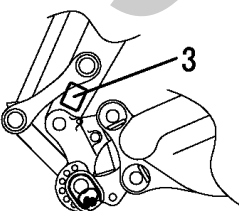


⑭

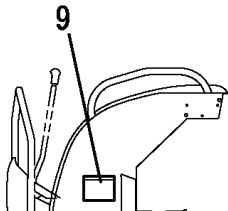


⑭ から見る  
VIEWED FROM ⑭

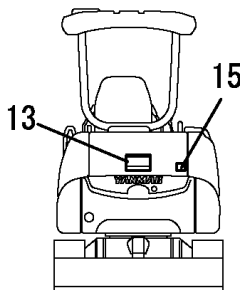
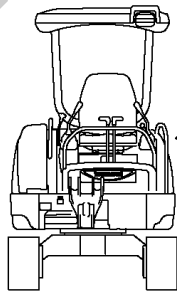
⑬ から見る  
VIEWED FROM ⑬



⑮ 部詳細  
DETAILS OF ⑮

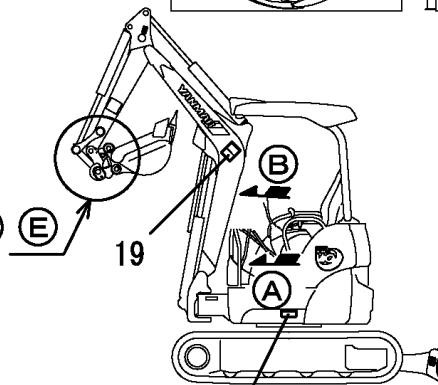


⑯ から見る  
VIEWED FROM ⑯



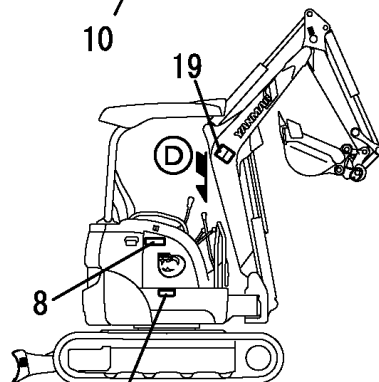
⑬

⑮



⑮

⑮

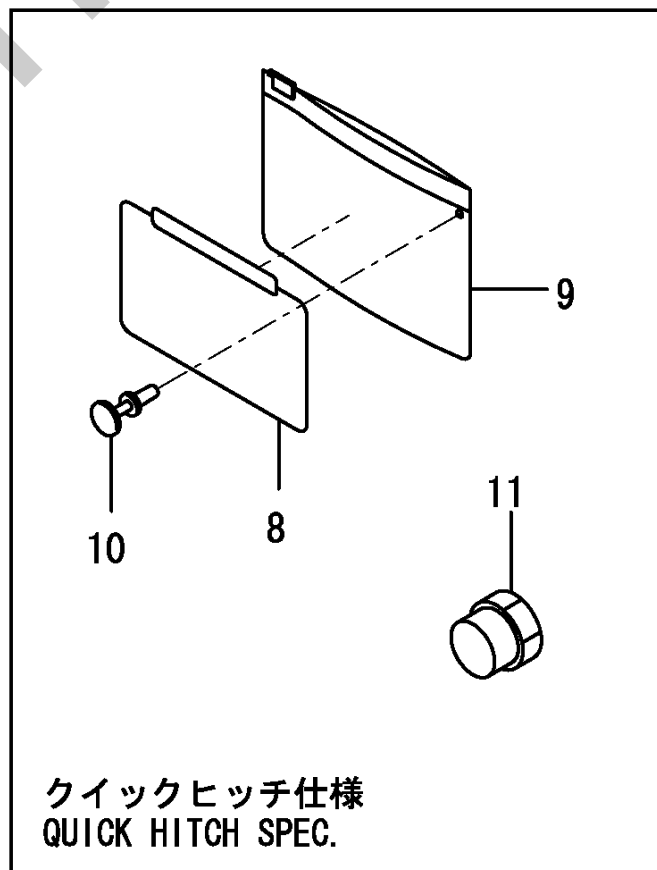
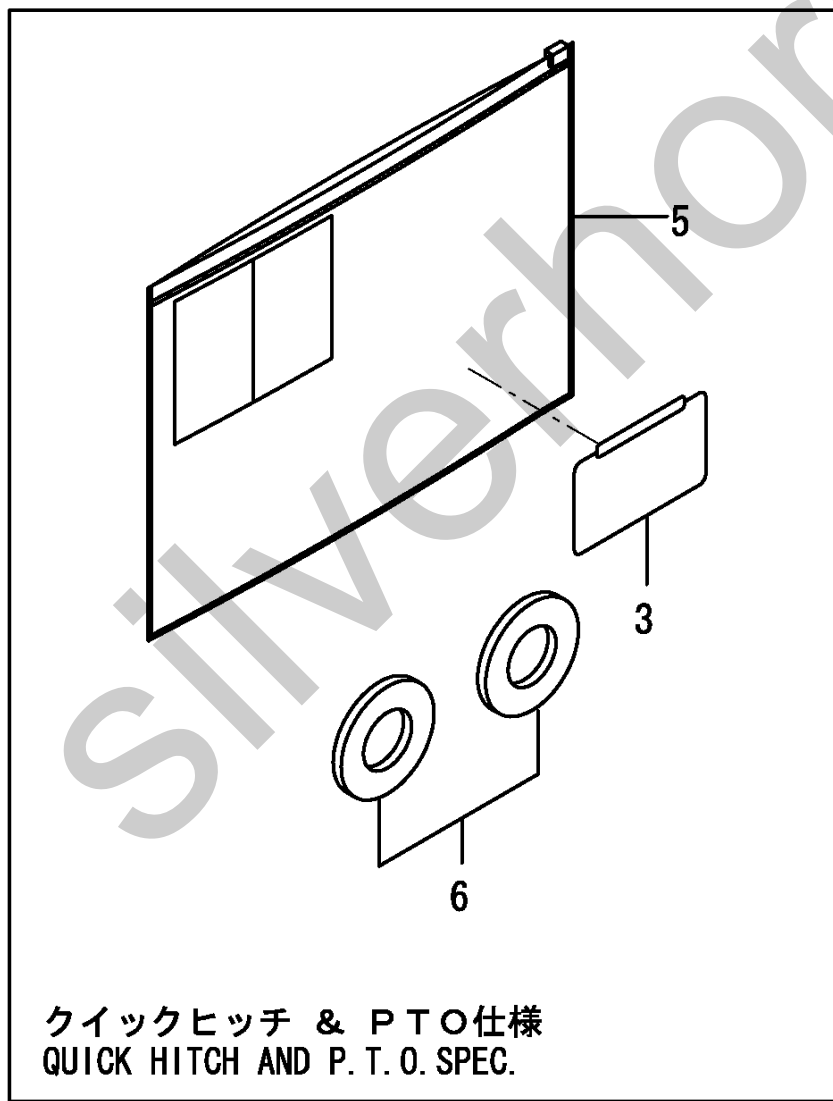
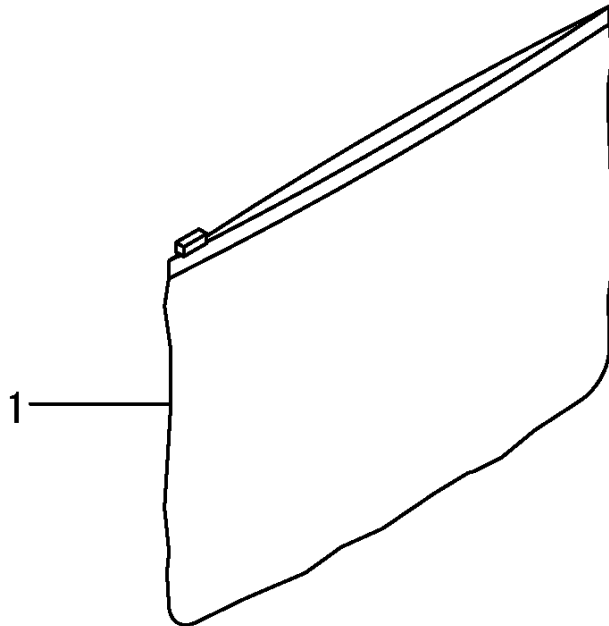


⑮

⑮

1,1,,172176-07330,, "BAG, MANUAL",1,1,,,,,,,,,,,,,  
3,1,,172958-03310,, "LABEL,COLLAR",1,1,1,,W,1,,72958056,M/#21004,,,,,  
5,1,,172958-07330,, "CASE,MANUAL",1,1,1,,W,1,,72958056,M/#21004,,,,,  
6,1,,172956-08100,, "COLLAR KIT 35",4,4,4,,W,1,,72958056,M/#21004,,,,,  
8,1,,172958-03300,, "LABEL,PLUG",1,1,1,,W,2,,72958055,M/#21004,,,,,  
9,1,,172958-05100,, "CASE,PLUG",1,1,1,,W,2,,72958055,M/#21004,,,,,  
10,1,,172958-05110,, RIVET,1,1,1,,W,2,,72958055,M/#21004,,,,,  
11,1,,1E3030-78370,, "CAP PF1/4",4,4,4,,W,2,,72958055,M/#21004,,,,,

Silverhorn.CO.UK

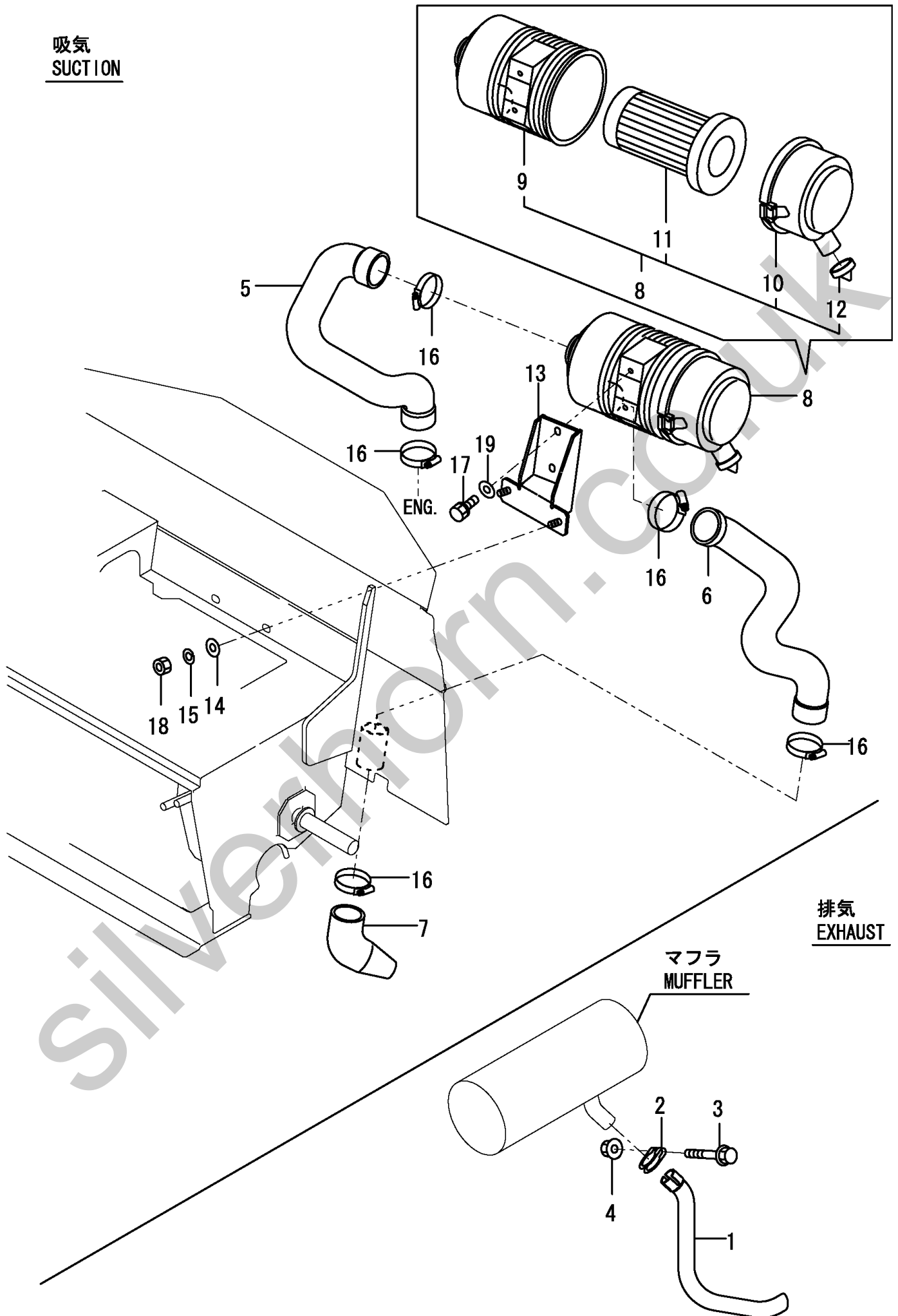


1,1,,172456-11310,, "PIRE,EXH,EXTENSION",1,1,,1,,,,,,,,,,,,,  
2,1,,172173-11561,,CLAMP,1,1,,1,,,,,,,,,,,,,  
3,1,,26106-080552,, "BOLT M 8X 55 PLATED",1,1,,1,,,,,,,,,,,,,  
4,1,,26366-080002,, "NUT M 8",1,1,,1,,,,,,,,,,,,,  
5,1,,172456-11480,, "HOSE A,AIR CLEANER",1,1,,1,,,,,,,,,,,,,  
6,1,,172456-11490,, "HOSE B,AIR CLEANER",1,1,,1,,,,,,,,,,,,,  
7,1,,172456-11500,, "HOSE C,AIR CLEANER",1,1,,1,,,,,,,,,,,,,  
8,1,,172456-11510,, "AIR CLEANER ASSY",1,1,,1,,,,,,,,,,,,,  
9,2,,172456-11590,,BODY,1,1,,1,,,,,,,,,,,,,  
10,2,,172456-11600,,COVER,1,1,,1,,,,,,,,,,,,,  
11,2,,129619-12520,, "ELEMENT, OUTER",,1,,,,,M,,,,,,,,,,,,,  
11-1,2,,119808-12520,, "ELEMENT, OUTER",1,1,,1,,,,,,,,,,,,,  
12,2,,119808-12540,, "VALVE, UNLOADER",1,1,,1,,,,,,,,,,,,,  
13,1,,172456-11520,,BRACKET,1,1,,1,,,,,,,,,,,,,  
14,1,,22137-100000,, "WASHER 10,POLISHED",2,2,,2,,,,,,,,,,,,,  
15,1,,22217-100000,, "SPRING WASHER 10",2,2,,2,,,,,,,,,,,,,  
16,1,,23000-060000,, "CLAMP 60",5,5,,5,,,,,,,,,,,,,  
17,1,,26013-080202,, "BOLT W/WASHER M8X20",2,2,,2,,,,,,,,,,,,,  
18,1,,26716-100002,, "NUT 10",2,2,,2,,,,,,,,,,,,,  
19,1,,22137-080000,, "WASHER 8, POLISHED",2,2,,2,,,,,,,,,,,,,

Silverhorn.CO.UK

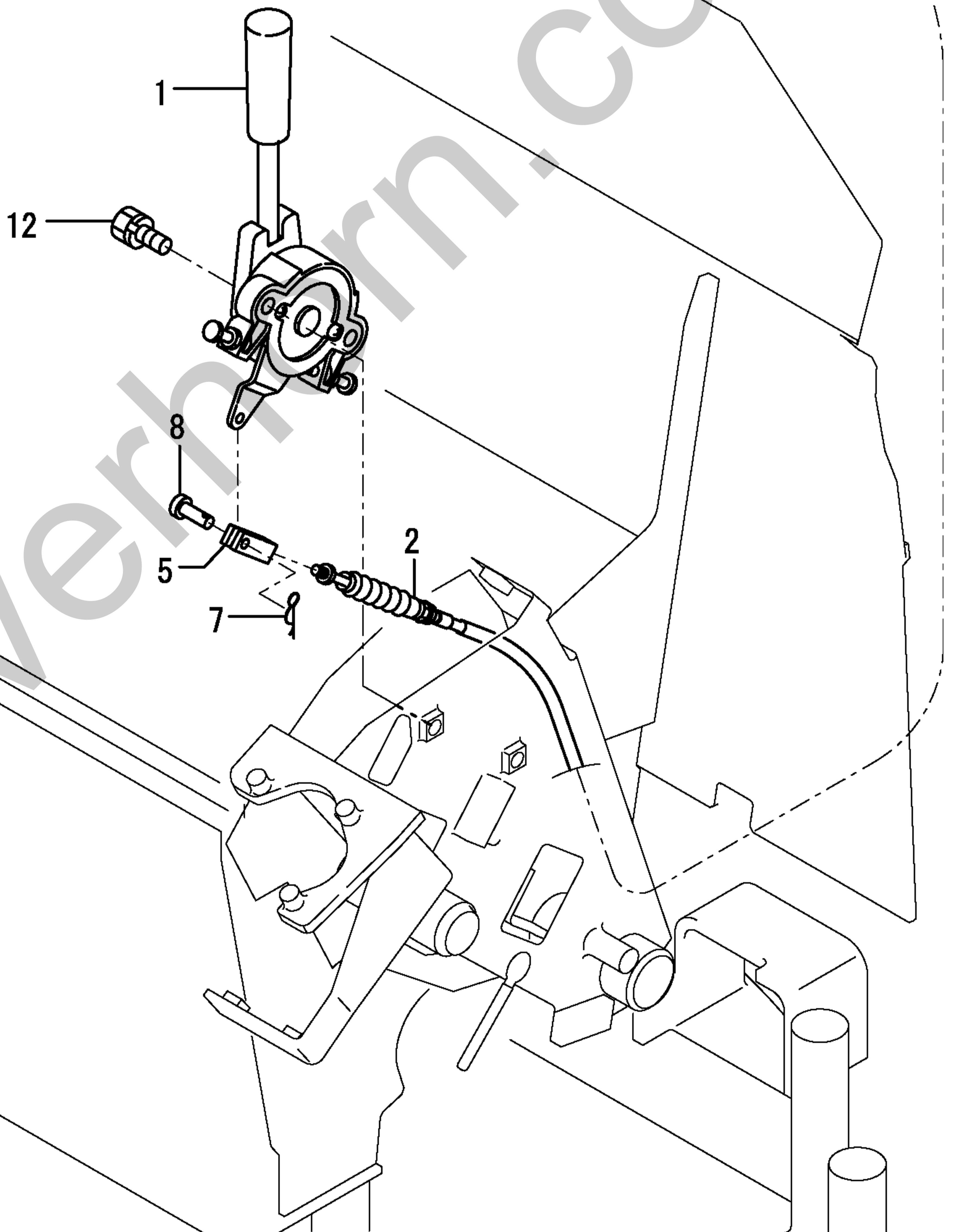
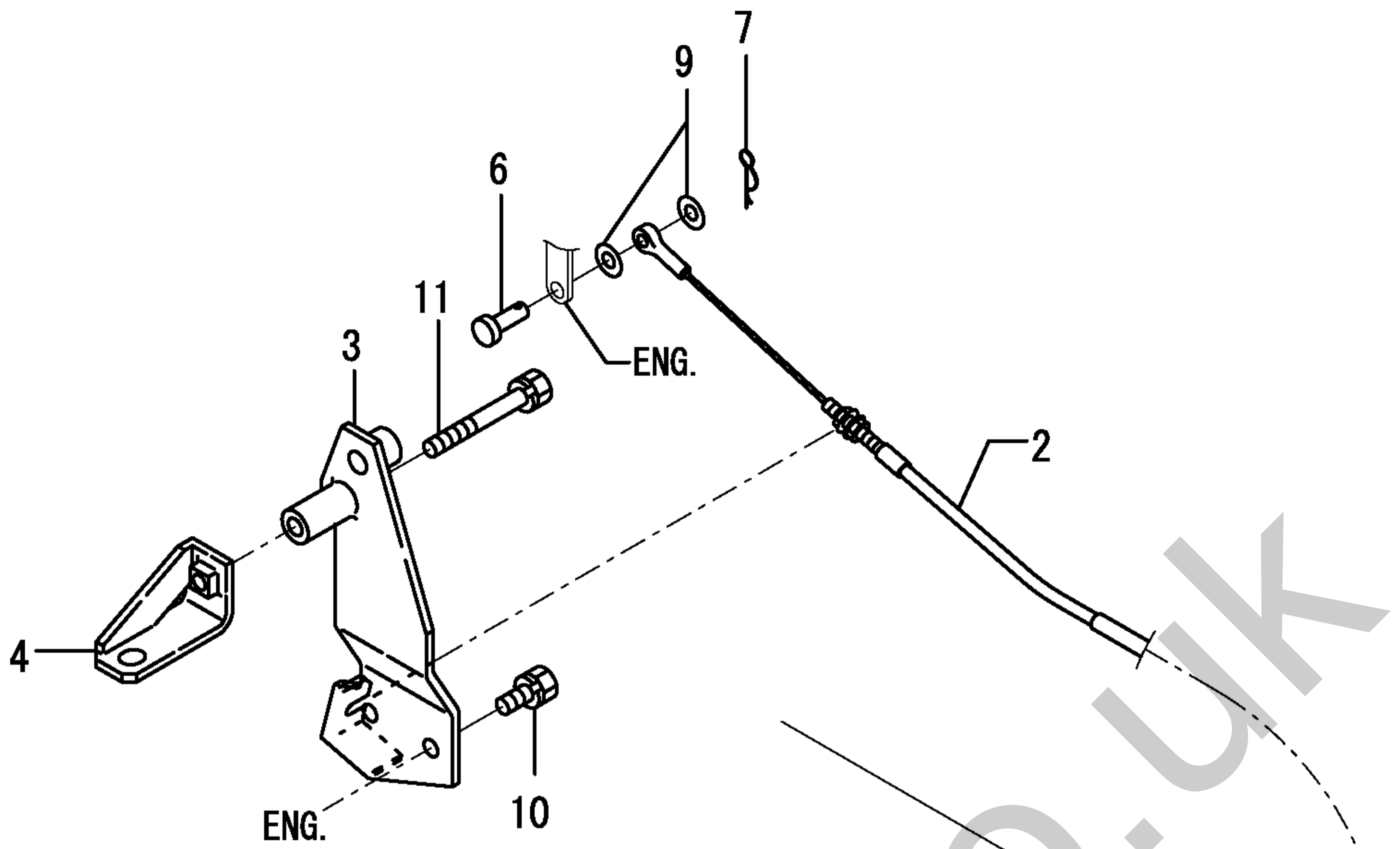


吸気  
SUCTION



1,1,,172458-12100,, "LEVER,ACCELERATOR",1,1,,1,,,,,,,,,,,,,  
2,1,,172456-12110,, "CABLE, ACCEL.",,1,,,,,,,,,,,,,  
2-1,1,,172456-12111,, "CABLE, ACCEL.",1,1,,1,,N,,,,,72456174,M/#20785,,,,,  
3,1,,172456-12120,, "BRACKET,ACCELERATOR",1,1,,1,,,,,,,,,,,,,  
4,1,,172456-12160,,BRACKET,1,1,,1,,,,,,,,,,,,,  
5,1,,172137-12270,, "JOINT, CABLE",1,1,,1,,,,,,,,,,,,,  
6,1,,172113-12522,,PIN,1,1,,1,,,,,,,,,,,,,  
7,1,,1C6281-52310,, "PIN 6,COME-OFF SNAP",2,2,,2,,,,,,,,,,,,,  
8,1,,1A1040-56900,, "PIN 6X 17",1,1,,1,,,,,,,,,,,,,  
9,1,,22137-060000,, "WASHER 6, POLISHED",2,2,,2,,,,,,,,,,,,,  
10,1,,26013-080162,, "BOLT W/WASHER M8X16",2,2,,2,,,,,,,,,,,,,  
11,1,,26013-080602,, "BOLT M8X60",,1,,,,,,,,,,,,,  
11-1,1,,26013-080502,, "BOLT M 8X 50",1,1,,1,,N,,,,,72456114,M/#20501,,,,,  
12,1,,26013-100252,, "BOLT W/WASHER M10X25",2,2,,2,,,,,,,,,,,,,

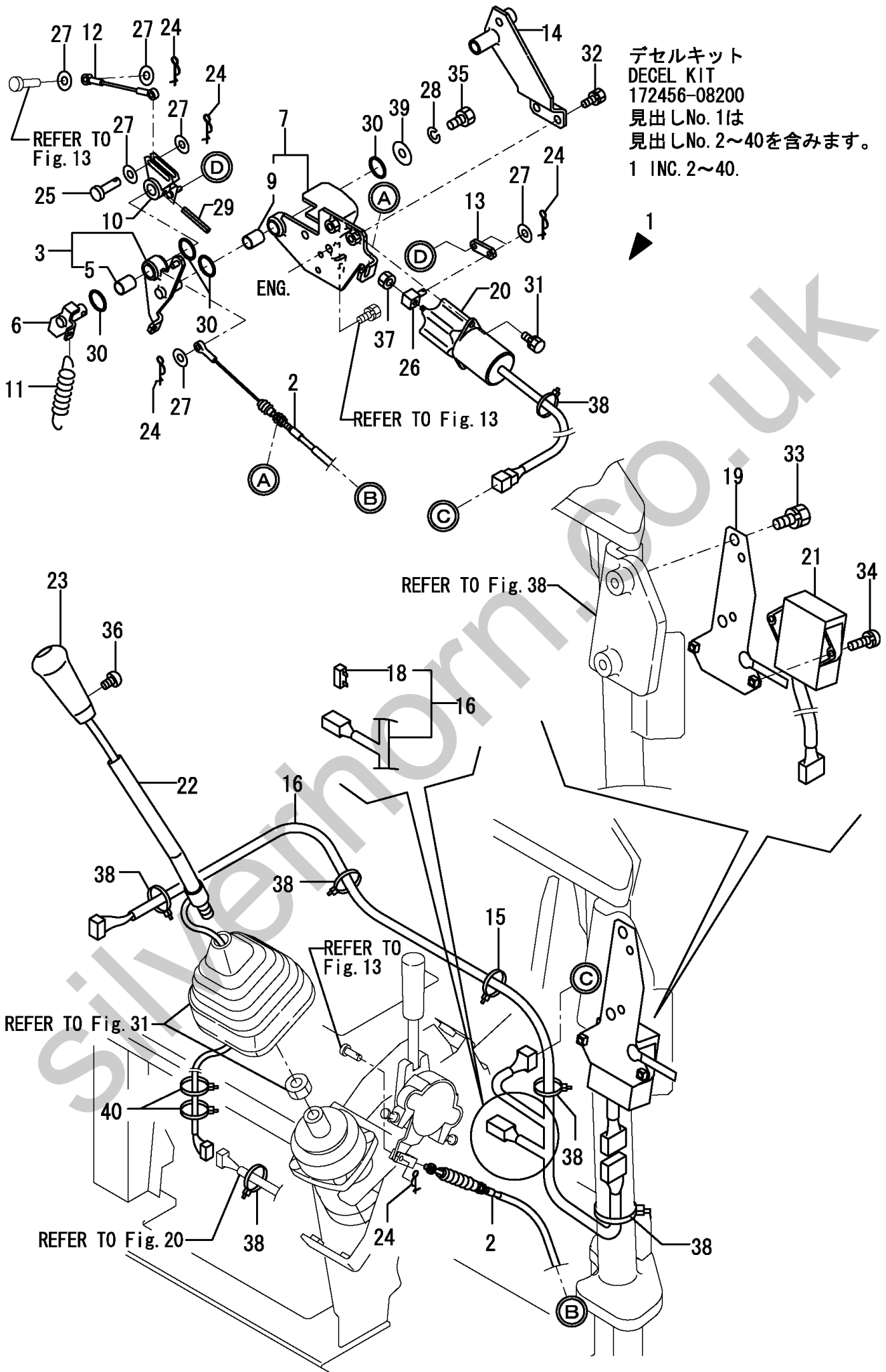
Silverhorn.CO.UK



1,1,,172456-08200,, "DECEL. KIT",1,1,,,,,,,,,,,,,,,,,,,,,  
 2,2,,172456-12100,, "CABEL, ACCEL. OD",1,1,,,,,,,,,,,,,,,,,,,,,  
 3,2,,172164-12160,, "LINK B CMP",1,1,,,,,,,,,,,,,,,,,,,,,  
 5,3,,24550-014200,, "BUSH 14X20",1,1,,,,,,,,,,,,,,,,,,,,,  
 6,2,,172164-12200,, "SHAFT CMP",1,1,,,,,,,,,,,,,,,,,,,,,  
 7,2,,172456-12200,, "BASE ASSY",1,1,,,,,,,,,,,,,,,,,,,,,  
 9,3,,24550-014200,, "BUSH 14X20",1,1,,,,,,,,,,,,,,,,,,,,,  
 10,2,,172175-12230,, "LINK A",1,1,,,,,,,,,,,,,,,,,,,,,  
 11,2,,172175-12350,, "SPRING, RETURN",1,1,,,,,,,,,,,,,,,,,,,,,  
 12,2,,172175-12360,, "CABLE, ACCELERATOR",1,1,,,,,,,,,,,,,,,,,,,,,  
 13,2,,172175-12370,, "PLATE",1,1,,,,,,,,,,,,,,,,,,,,,  
 14,2,,172456-14660,, "BRACKET",1,1,,,,,,,,,,,,,,,,,,,,,  
 15,2,,172137-16560,, "BAND",1,1,,,,,,,,,,,,,,,,,,,,,  
 16,2,,172460-16570,, "HARNES DECEL ASSY",1,1,,,,,,,,,,,,,,,,,,,,,  
 18,3,,29420-200000,, "HUSE",2,2,,,,,,,,,,,,,,,,,,,,,  
 19,2,,172460-17110,, "BRACKET, TIMER",1,1,,,,,,,,,,,,,,,,,,,,,  
 20,2,,172162-17180,, "SOLENOID",1,1,,,,,,,,,,,,,,,,,,,,,  
 21,2,,172190-17220,, "RELEY, TIMER",1,1,,,,,,,,,,,,,,,,,,,,,  
 22,2,,172190-45080,, "LEVER L CMP(DECEL",1,1,,,,,,,,,,,,,,,,,,,,,  
 23,2,,172176-47870,, "KNOB",1,1,,,,,,,,,,,,,,,,,,,,,  
 24,2,,1C6281-52310,, "PIN 6,COME-OFF SNAP",6,6,,,,,,,,,,,,,,,,,,,,,  
 25,2,,1A3809-56915,, "PIN 6X 20",1,1,,,,,,,,,,,,,,,,,,,,,  
 26,2,,119620-66820,, "JOINT",1,1,,,,,,,,,,,,,,,,,,,,,  
 27,2,,22137-060000,, "WASHER 6, POLISHED",7,7,,,,,,,,,,,,,,,,,,,,,  
 28,2,,22217-100000,, "SPRING WASHER 10",1,1,,,,,,,,,,,,,,,,,,,,,  
 29,2,,22351-040025,, "PIN 4X25,SPRING",1,1,,,,,,,,,,,,,,,,,,,,,  
 30,2,,24311-000210,, "O-RING 1A P-21.0",4,4,,,,,,,,,,,,,,,,,,,,,  
 31,2,,26013-060162,, "BOLT M 6X 16",2,2,,,,,,,,,,,,,,,,,,,,,  
 32,2,,26013-080202,, "BOLT W/WASHER M8X20",2,2,,,,,,,,,,,,,,,,,,,,,  
 33,2,,26013-120252,, "BOLT M12X 25",2,2,,,,,,,,,,,,,,,,,,,,,  
 34,2,,26022-060252,, "SCREW M 6X 25",2,2,,,,,,,,,,,,,,,,,,,,,  
 35,2,,26116-100162,, "BOLT M10X 16 PLATED",1,1,,,,,,,,,,,,,,,,,,,,,  
 36,2,,26587-040062,, "SCREW M 4X 6",1,1,,,,,,,,,,,,,,,,,,,,,  
 37,2,,26716-060002,, "NUT 6",1,1,,,,,,,,,,,,,,,,,,,,,  
 38,2,,933152-09280,, "BAND 170",6,6,,,,,,,,,,,,,,,,,,,,,  
 39,2,,933166-17730,, "WASHER 10.5X30",1,1,,,,,,,,,,,,,,,,,,,,,  
 40,2,,933168-55770,, "BAND 146",2,2,,,,,,,,,,,,,,,,,,,,,

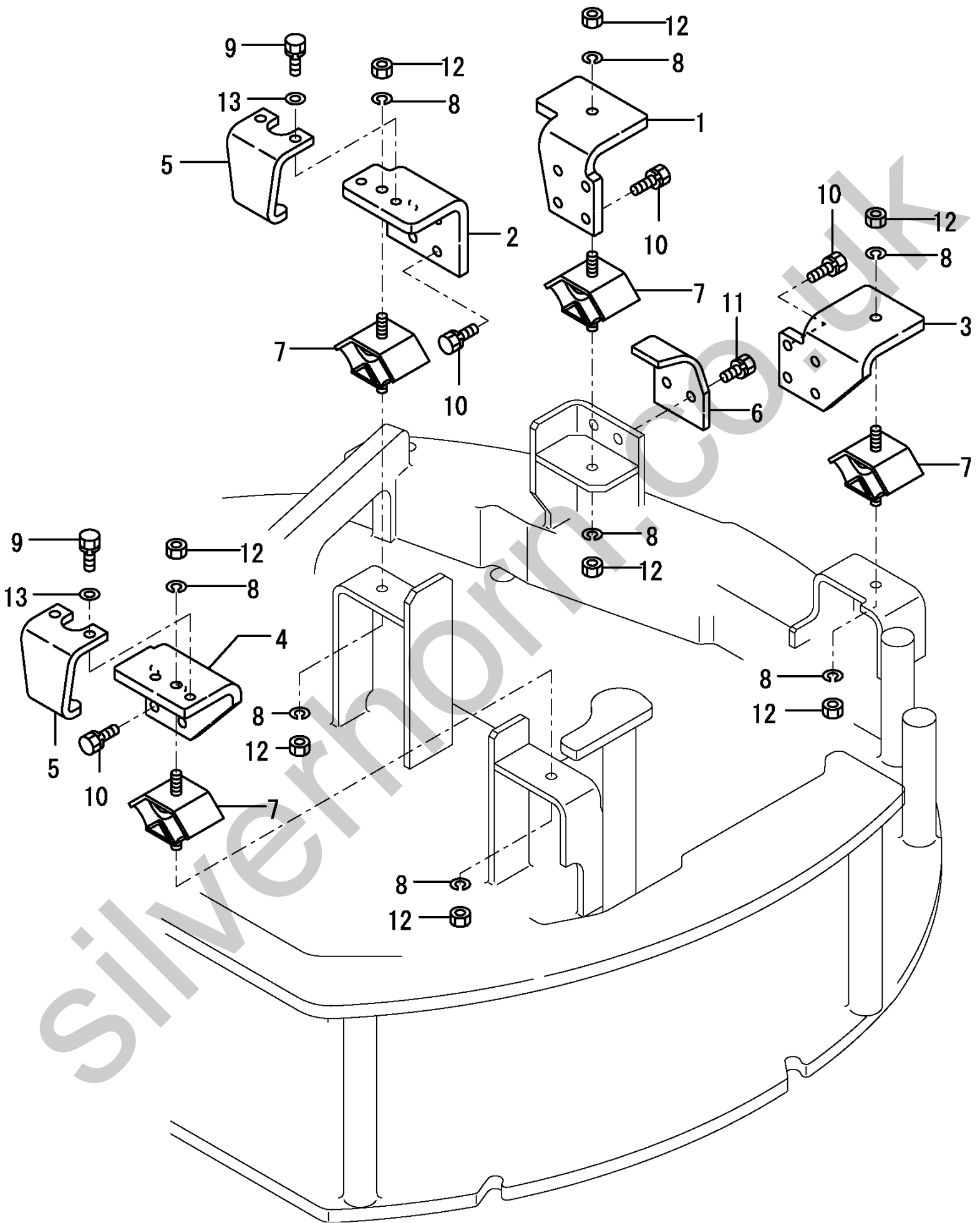


デセルキット  
 DECEL KIT  
 172456-08200  
 見出しNo. 1は  
 見出しNo. 2~40を含みます。  
 1 INC. 2~40.



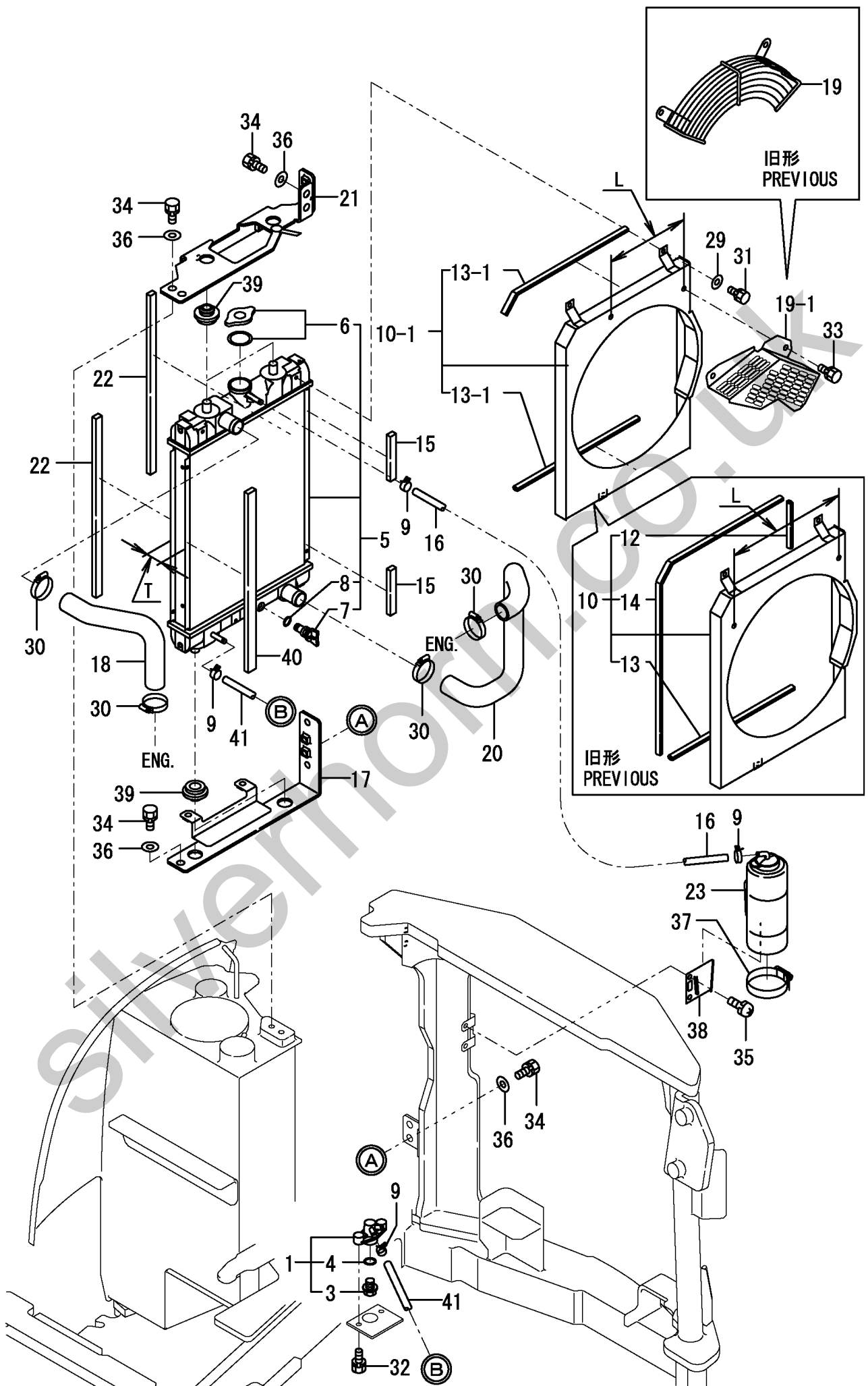
1,1,,172456-13100,, "MOUNT PF,ENG",1,1,,1,,,,,,,,,,,,,  
2,1,,172456-13110,, "MOUNT LF,ENG",1,1,,1,,,,,,,,,,,,,  
3,1,,172456-13120,, "MOUNT RR,ENG",1,1,,1,,,,,,,,,,,,,  
4,1,,172456-13130,, "MOUNT LR,ENG",1,1,,1,,,,,,,,,,,,,  
5,1,,172456-13140,, "STOPPER ,ENG",2,2,,2,,,,,,,,,,,,,  
6,1,,172456-13150,, "STOPPER RF,ENG",1,1,,1,,,,,,,,,,,,,  
7,1,,172179-13210,, CUSHION,,4,,,,,,,,,,,,,  
7-1,1,,172179-13211,, "RUBBER, ANTI  
VIBRAT.",4,4,,4,,N,,,,,72456253,M/#21808,,,,,,,,,I  
8,1,,22217-100000,, "SPRING WASHER 10",8,8,,8,,,,,,,,,,,,,  
9,1,,26013-100252,, "BOLT W/WASHER M10X25",4,4,,4,,,,,,,,,,,,,  
10,1,,26013-100252,, "BOLT W/WASHER M10X25",16,16,,16,,,,,,,,,,,,,  
11,1,,26013-120202,, "BOLT W/WASHER M12X20",,2,,,,,,,,,,,,,  
11-1,1,,26013-100202,, "BOLT W/WASHER  
M10X20",2,2,,2,,N,,,,,72456110,M/#20501,,,,,,,,,  
12,1,,26716-100002,, "NUT 10",8,8,,8,,,,,,,,,,,,,  
13,1,,194145-04810,, "WASHER 10",4,4,,4,,W,,,,,72456160,M/#20501,,,,,,,,,

Silverhorn.CO.UK



1,1,,172444-13210,, "COCK ASSY,2-WAY",1,1,,1,,,,,,,,,,,,,  
3,2,,121250-49121,, PLUG,1,1,,1,,,,,,,,,,,,,  
4,2,,24311-000160,, "O-RING 1A P-16.0",1,1,,1,,,,,,,,,,,,,  
5,1,,172456-13300,, "RADIATOR ASSY",,1,,,,,,,,,,,,,  
5-1,1,,172487-13300,, RADIATOR,1,1,,1,,S,1,,72456245,M/#21858,,,,,,,,,  
6,2,,172456-13310,, "CAP ASSY",1,1,,1,,,,,,,,,,,,,  
7,2,,172456-13320,, "VALVE,STOP",1,1,,1,,,,,,,,,,,,,  
8,2,,172456-13330,, O-RING,1,1,,1,,,,,,,,,,,,,  
9,1,,124766-59050,, "CLAMP 12",4,4,,4,,,,,,,,,,,,,  
10,1,,172456-13340,, "SHURAUD ASSY",,1,,,,,,,,,,,,,  
10-1,1,,172456-13341,, "SHURAUD ASSY",1,1,,1,,F,2,,72456245,M/#21858,,,,,,,,,  
12,2,,172456-13470,, "RUBBER 100",,2,,,,,Z,,,,72456245,M/#21858,,,,,,,,,  
13,2,,172456-13480,, "RUBBER 315",,1,,,,,,,,,,,,,  
13-1,2,,172456-13480,, "RUBBER 315",2,2,,2,,K,,,,72456245,M/#21858,,,,,,,,,  
14,2,,172183-65541,, "SEAL,CANOPY",,1,,,,,Z,,,,72456245,M/#21858,,,,,,,,,  
15,1,,172456-13350,, "SEAL,RADIATOR",,2,,,,,Z,,,,72456245,M/#21858,,,,,,,,,  
16,1,,172157-13381,, HOSE,1,1,,1,,,,,,,,,,,,,  
17,1,,172456-13380,, "BRACKET B",,1,,,,,,,,,,,,,  
17-1,1,,172456-13381,, "BRACKET B ASSY",1,1,,1,,N,,,,72456224,M/#21637,,,,,,,,,  
18,1,,172456-13450,, "PIRE A,COOLING WATER",,1,,,,,,,,,,,,,  
18-1,1,,172456-13451,, "PIPE (A), C.W.",1,1,,1,,N,,,,72456224,M/#21637,,,,,,,,,  
19,1,,172422-13460,, "NET,WIRE",,1,,,,,,,,,,,,,  
19-1,1,,172487-13460,, FAN-GUARD,1,1,,1,,S,,,,72456249,M/#21858,,,,,,,,,  
20,1,,172456-13460,, "PIRE B,COOLING WATER",1,1,,1,,,,,,,,,,,,,  
21,1,,172456-13500,, "BRACKET A",,1,,,,,,,,,,,,,  
21-1,1,,172456-13501,, "BRACKET A ASSY",1,1,,1,,N,,,,72456224,M/#21637,,,,,,,,,  
22,1,,172165-18940,, SEAL,,1,,,,,M,,,,,,,,,,,,,  
22-1,1,,172458-13320,, "SEAL B,RADIATOR",,2,,,,,,,,,,,,,  
22-2,1,,172487-13500,, "SEAL B (RADIATOR",2,2,,2,,N,,,,72456224,M/#21637,,,,,,,,,  
23,1,,119813-44510,, "SUB-TANK ASSY",1,1,,1,,,,,,,,,,,,,  
29,1,,22137-060000,, "WASHER 6, POLISHED",3,3,,3,,,,,,,,,,,,,  
30,1,,23010-038000,, "CLAMP 38",,4,,,,,M,,,,,,,,,,,,,  
30-1,1,,23000-041000,, "CLAMP 41",,4,,,,,M,,,,,,,,,,,,,  
30-2,1,,23001-041000,, "CLIP 41,HOSE",4,4,,4,,,,,,,,,,,,,  
31,1,,26013-060162,, "BOLT M 6X 16",3,3,,3,,,,,,,,,,,,,  
32,1,,26013-080162,, "BOLT W/WASHER M8X16",2,2,,2,,,,,,,,,,,,,  
33,1,,26013-080162,, "BOLT W/WASHER M8X16",2,2,,2,,,,,,,,,,,,,  
34,1,,26013-100202,, "BOLT W/WASHER M10X20",,7,,,,,,,,,,,,,  
34-1,1,,26013-100202,, "BOLT W/WASHER  
M10X20",4,4,,4,,K,,,,72456224,M/#21637,,,,,,,,,  
35,1,,26022-080162,, "SCREW M 8X 16",2,2,,2,,,,,,,,,,,,,  
36,1,,22137-100000,, "WASHER 10,POLISHED",,7,,,,,,,,,,,,,  
36-1,1,,22137-100000,, "WASHER  
10,POLISHED",4,4,,4,,K,,,,72456224,M/#21637,,,,,,,,,  
37,1,,124450-44550,, "CLAMP, SUB-TANK",1,1,,1,,,,,,,,,,,,,  
38,1,,121256-44600,, "BRACKET, SUB-TANK",1,1,,1,,,,,,,,,,,,,  
39,1,,119255-44660,, RUBBER,4,4,,4,,,,,,,,,,,,,  
40,1,,172164-54770,, "SEAL B, FRAME",,1,,,,,M,,,,,,,,,,,,,  
40-1,1,,172458-13390,, "SEAL C,RADIATOR",,1,,,,,,,,,,,,,  
40-2,1,,172487-13450,, SEAL,2,2,,2,,S,3,,72456245,M/#21858,,,,,,,,,  
41,1,,172734-14620,, "PIPE L=300, FUEL",1,1,,1,,,,,,,,,,,,,

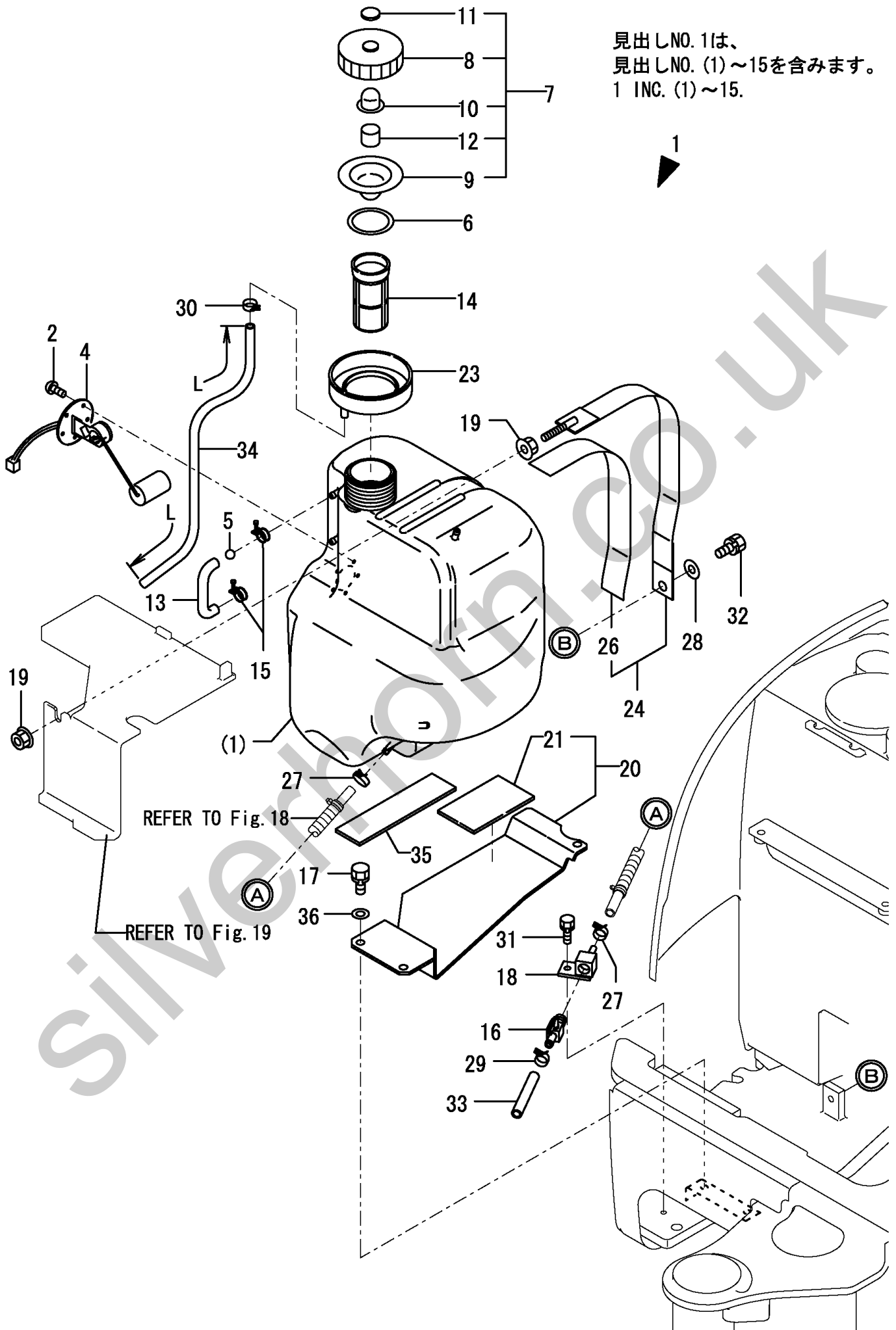




1,1,,772456-14110,, "TANK ASSY,FUEL OIL",,1,,,,,,,,,,,,,  
 1-1,1,,772456-14111,, "TANK ASSY, FUEL",,1,1,1,,N,,,,,72458445,M/#21074,,,,,,,,,  
 2,2,,26557-050122,, "SCREW M 5X 12",,5,,,,,,,,,,,,,  
 2-1,2,,26022-050122,, "SCREW M 5X 12",,5,5,5,,N,,,,,72460255,M/#21169,,,,,,,,,I  
 4,2,,172456-14150,, "GAUGE UNIT,FO",,1,1,1,,,,,,,,,,,,,  
 5,2,,172447-14160,, FLOAT,1,1,1,,,,,,,,,,,,,  
 6,2,,172162-14200,, GASKET,1,1,1,,,,,,,,,,,,,  
 7,2,,172444-14200,, "FUEL CAP",,1,1,1,,,,,,,,,,,,,  
 8,3,,172444-14450,, CAP,1,1,1,,,,,,,,,,,,,  
 9,3,,172444-14460,, GASKET,1,1,1,,,,,,,,,,,,,  
 10,3,,172444-14470,, GASKET,1,1,1,,,,,,,,,,,,,  
 11,3,,172444-14480,, WASHER,1,1,1,,,,,,,,,,,,,  
 12,3,,172444-14490,, SPONGE,1,1,1,,,,,,,,,,,,,  
 13,2,,172458-14201,, "HOSE,FUEL GAUGE",,1,,,,,,,,,,,,,  
 13-1,2,,172458-14202,, "HOSE, FUEL GAUGE",,1,1,1,,N,,,,,72458445,M/#21074,,,,,,,,,  
 14,2,,172183-14250,, "FILTER (FUEL",,1,1,1,,,,,,,,,,,,,  
 15,2,,23010-014000,, "CLAMP 14",,2,,,,,,,,,,,,,  
 15-1,2,,23000-013000,, "CLAMP 13",,2,2,2,,N,,,,,72456130,M/#20501,,,,,,,,,  
 16,1,,104200-11920,, COCK,1,1,1,,,,,,,,,,,,,  
 17,1,,26013-100202,, "BOLT W/WASHER M10X20",,3,3,3,,,,,,,,,,,,,  
 18,1,,172444-14270,, JOINT,1,1,1,,,,,,,,,,,,,  
 19,1,,26367-100002,, "NUT 10",,2,2,2,,,,,,,,,,,,,  
 20,1,,172456-14340,, "PLATE ASSY(GREEN:97)",,1,1,1,,,,,,,,,,,,,  
 21,2,,172444-14130,, "PLATE A",,1,1,1,,,,,,,,,,,,,  
 23,1,,172458-14370,, "SOUCER,FUEL OIL",,1,1,1,,,,,,,,,,,,,  
 24,1,,172456-14300,, CLAMP,1,1,1,,,,,,,,,,,,,  
 26,2,,172456-14330,, RUBBER,1,1,1,,,,,,,,,,,,,  
 27,1,,124766-59050,, "CLAMP 12",,2,2,2,,,,,,,,,,,,,  
 28,1,,22137-100000,, "WASHER 10,POLISHED",,1,1,1,,,,,,,,,,,,,  
 29,1,,23010-014000,, "CLAMP 14",,1,,,,,M,,,,,,,,,  
 29-1,1,,23080-013000,, "CLAMP 13,HOSE",,1,1,1,,,,,,,,,,,,,  
 30,1,,23080-013000,, "CLAMP 13,HOSE",,1,1,1,,,,,,,,,,,,,  
 31,1,,26013-080202,, "BOLT W/WASHER M8X20",,1,1,1,,,,,,,,,,,,,  
 32,1,,26013-100202,, "BOLT W/WASHER M10X20",,1,1,1,,,,,,,,,,,,,  
 33,1,,172444-14410,, HOSE,1,1,1,,,,,,,,,,,,,  
 34,1,,172187-14510,, HOSE,,1,,,,,,,,,,,,,  
 34-1,1,,172456-14650,, "HOSE 9.5X700",,1,1,1,,N,,,,,72456114,M/#20501,,,,,,,,,  
 34-2,1,,172444-14260,, "HOSE,FUEL",,1,1,1,,S,1,,72456248,M/#21745,,,,,,,,,I  
 35,1,,172458-14340,, "RUBBER PLATE A,FO",,1,1,1,,W,,,,,72456135,M/#20501,,,,,,,,,  
 36,1,,22137-100000,, "WASHER 10,POLISHED",,3,3,3,,W,,,,,72456134,M/#20580,,,,,,,,,

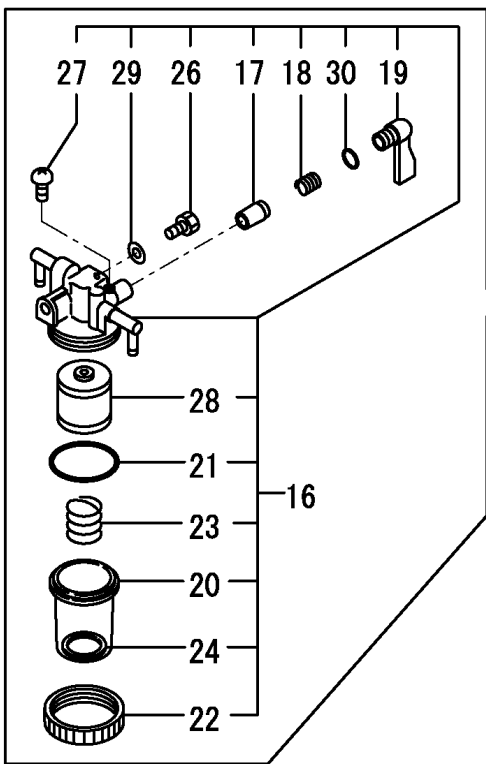


見出しNO. 1は、  
見出しNO. (1)~15を含みます。  
1 INC. (1)~15.

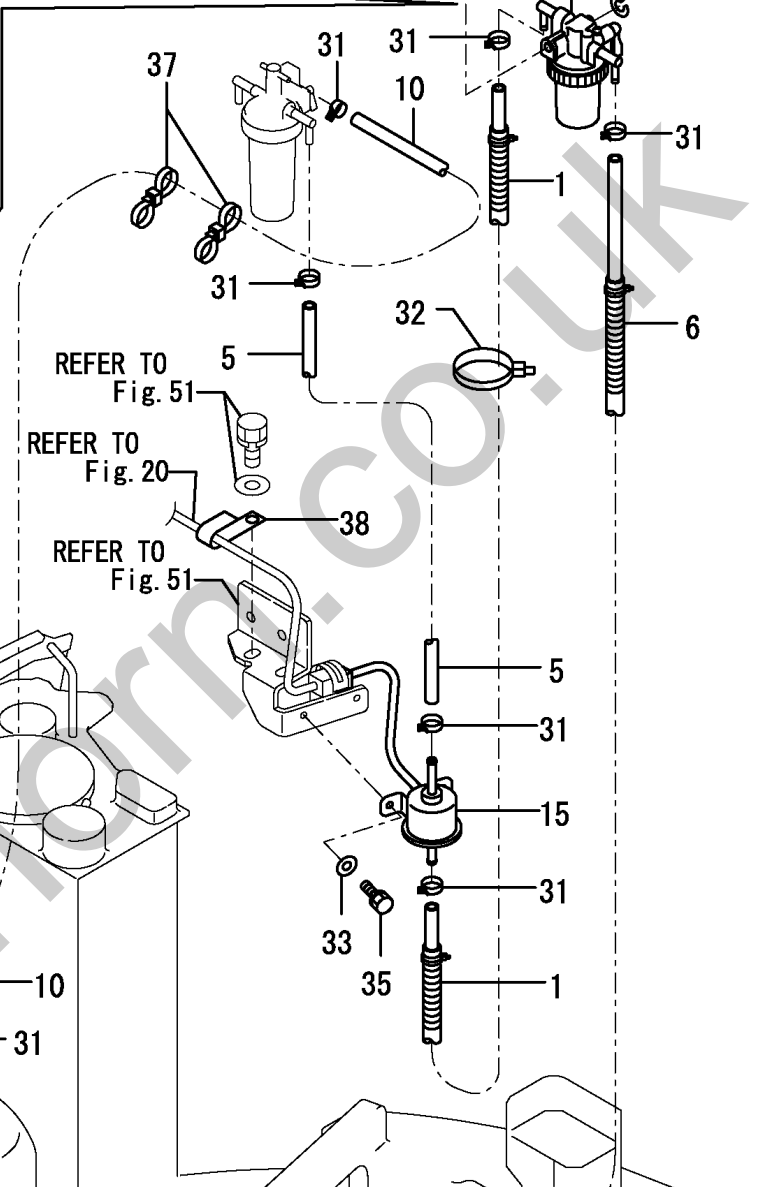
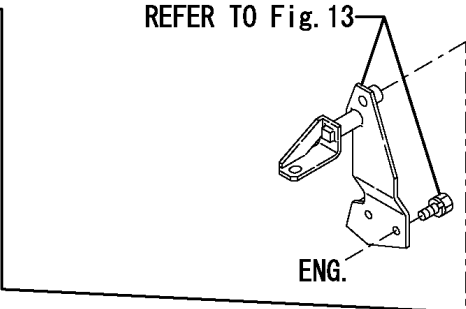


1,1,,172186-13810,,HOSE,1,1,,1,,,,,,,,,,,,,  
 5,1,,172171-14610,,,"HOSE 260,FUEL",1,1,,1,,,,,,,,,,,,,  
 6,1,,172456-14610,,,"HOSE,FO1470 ASSY",1,1,,1,,,,,,,,,,,,,  
 10,1,,172122-14620,,,"PIPE (C), FUEL",1,1,,1,,,,,,,,,,,,,  
 11,1,,172456-14630,,,"HOSE,FO 150 ASSY",1,1,,1,,,,,,,,,,,,,  
 15,1,,129612-52100,,,"FUEL PUMP",1,1,,1,,,,,,,,,,,,,  
 16,1,,129335-55700,,,"SEPARATOR, WATER",1,1,,1,,,,,,,,,,,,,  
 17,2,,104200-55321,,,"VALVE, TAPER",1,1,,1,,,,,,,,,,,,,  
 18,2,,104200-55330,,,"SPRING, TAPER VALVE",1,1,,1,,,,,,,,,,,,,  
 19,2,,104200-55341,,,"HANDLE, COCK",1,1,,1,,,,,,,,,,,,,  
 20,2,,124064-55510,,,"BOWL, FUEL STRAINER",1,1,,1,,,,,,,,,,,,,  
 21,2,,102103-55520,,,"O-RING,1,1,,1,,,,,,,,,,,,,  
 22,2,,110250-55610,,,"RING, RETAINING",1,1,,1,,,,,,,,,,,,,  
 23,2,,121257-55720,,,"SPRING, SCREEN",1,1,,1,,,,,,,,,,,,,  
 24,2,,121257-55731,,,"FLOAT,1,1,,1,,,,,,,,,,,,,  
 26,2,,101720-55750,,,"PLUG,2,2,,2,,,,,,,,,,,,,  
 27,2,,104200-55750,,,"SCREW M 4",1,1,,1,,,,,,,,,,,,,  
 28,2,,171081-55910,,,"SCREEN,1,1,,1,,,,,,,,,,,,,  
 29,2,,23418-060000,,,"GASKET 6, NYLON",2,2,,2,,,,,,,,,,,,,  
 30,2,,24311-240100,,,"O-RING 1A P-10A",1,1,,1,,,,,,,,,,,,,  
 31,1,,124766-59050,,,"CLAMP 12",8,8,,8,,,,,,,,,,,,,  
 32,1,,172122-79930,,,"CLAMP B",1,1,,1,,,,,,,,,,,,,  
 33,1,,22137-060000,,,"WASHER 6, POLISHED",2,2,,2,,,,,,,,,,,,,  
 34,1,,22217-080000,,,"SPRING WASHER 8",1,1,,1,,,,,,,,,,,,,  
 35,1,,26013-060162,,,"BOLT M 6X 16",2,,,,,,,,,,,,,  
 35-1,1,,26013-060202,,,"BOLT M 6X 20",2,2,,2,,S,,72456117,M/#20508,,,,,,,,,  
 36,1,,26116-080702,,,"BOLT M 8X 70 PLATED",1,1,,1,,,,,,,,,,,,,  
 37,1,,172137-16560,,,"BAND,2,2,,2,,,,,,,,,,,,,  
 38,1,,172126-16540,,,"CLAMP 10X70",1,1,,1,,W,,,,72460284,M/#21637,,,,,,,,,I





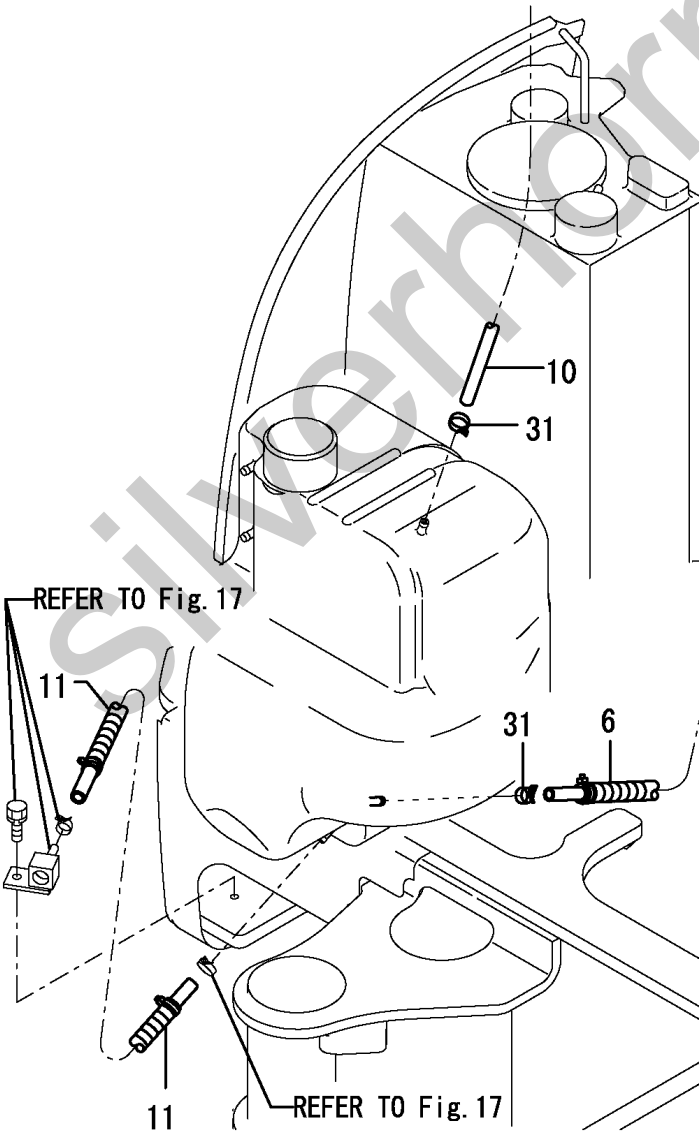
REFER TO Fig. 13



REFER TO Fig. 51

REFER TO Fig. 20

REFER TO Fig. 51

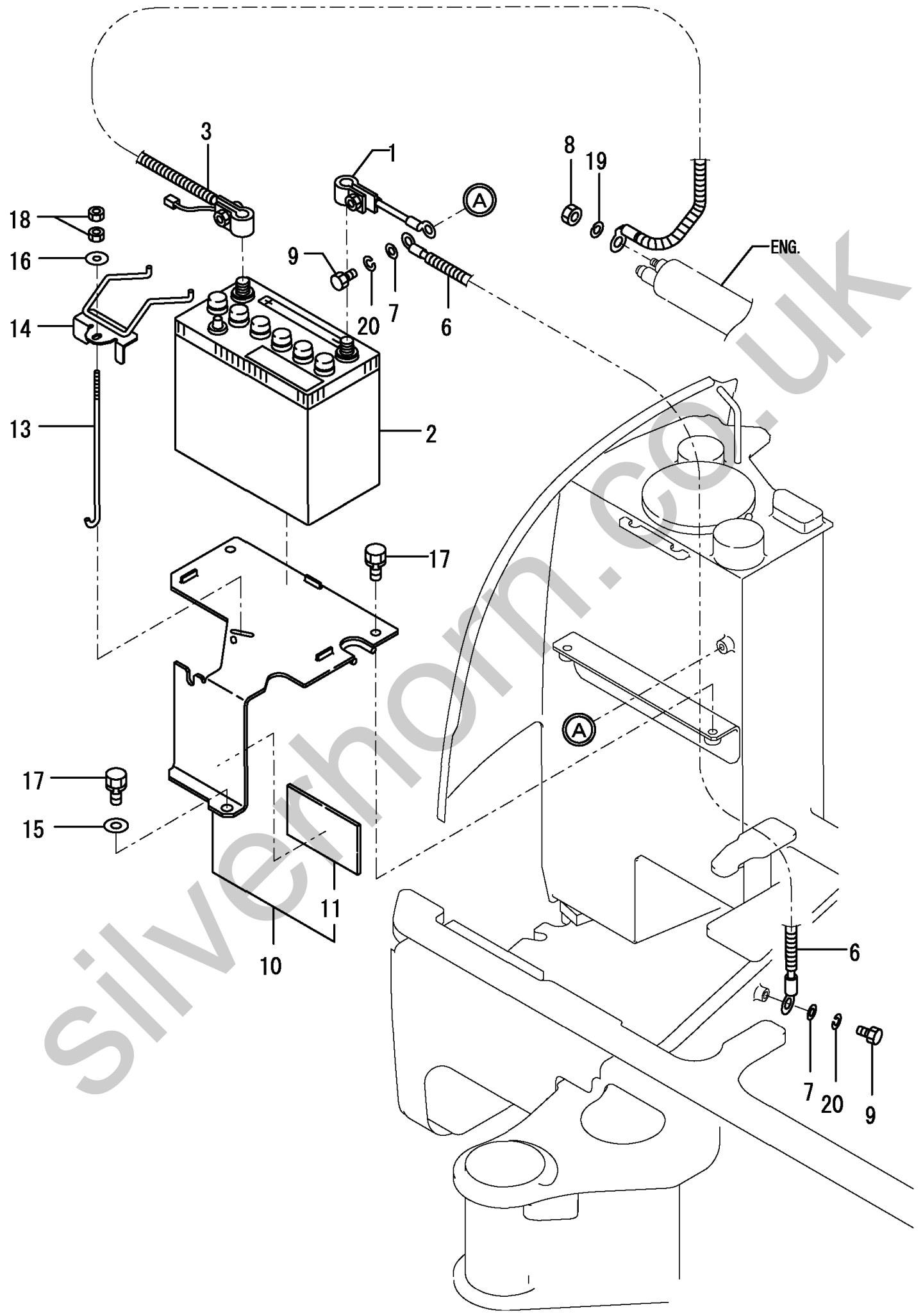


REFER TO Fig. 17

REFER TO Fig. 17

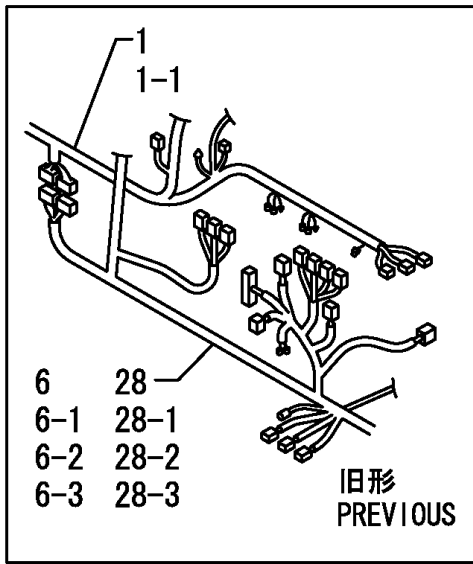
1,1,,172444-16110,, "HARNES,BATTERY(-)",1,1,,1,,,,,,,,,,,,,  
2,1,,172458-16110,, BATTERY,1,1,,1,,,,,,,,,,,,,  
3,1,,172456-16200,, "CORD,BATTERY(+)",1,1,,1,,,,,,,,,,,,,  
6,1,,172456-16210,, "CORD,BATTERY(-)",1,1,,1,,,,,,,,,,,,,  
7,1,,22137-080000,, "WASHER 8, POLISHED",2,2,,2,,,,,,,,,,,,,  
8,1,,26716-080002,, "NUT M 8",1,1,,1,,,,,,,,,,,,,  
9,1,,26116-080162,, "BOLT 8X16",2,2,,2,,,,,,,,,,,,,  
10,1,,172456-16100,, "BRACKT,BATTERY",1,1,,1,,,,,,,,,,,,,  
11,2,,172444-14130,, "PLATE A",1,1,,1,,,,,,,,,,,,,  
13,1,,172725-16160,, "ROD, CLAMP",1,1,,1,,,,,,,,,,,,,  
14,1,,172458-16300,, "CLAMP,BATTERY",1,1,,1,,,,,,,,,,,,,  
15,1,,22137-100000,, "WASHER 10,POLISHED",1,1,,1,,,,,,,,,,,,,  
16,1,,22157-060000,, "WASHER 6",1,1,,1,,,,,,,,,,,,,  
17,1,,26013-100202,, "BOLT W/WASHER M10X20",3,3,,3,,,,,,,,,,,,,  
18,1,,26716-060002,, "NUT 6",2,2,,2,,,,,,,,,,,,,  
19,1,,22217-080000,, "SPRING WASHER 8",1,1,,1,,,,,,,,,,,,,  
20,1,,22217-080000,, "SPRING WASHER 8",2,2,,2,,,,,,,,,,,,,

Silverhorn.CO.UK



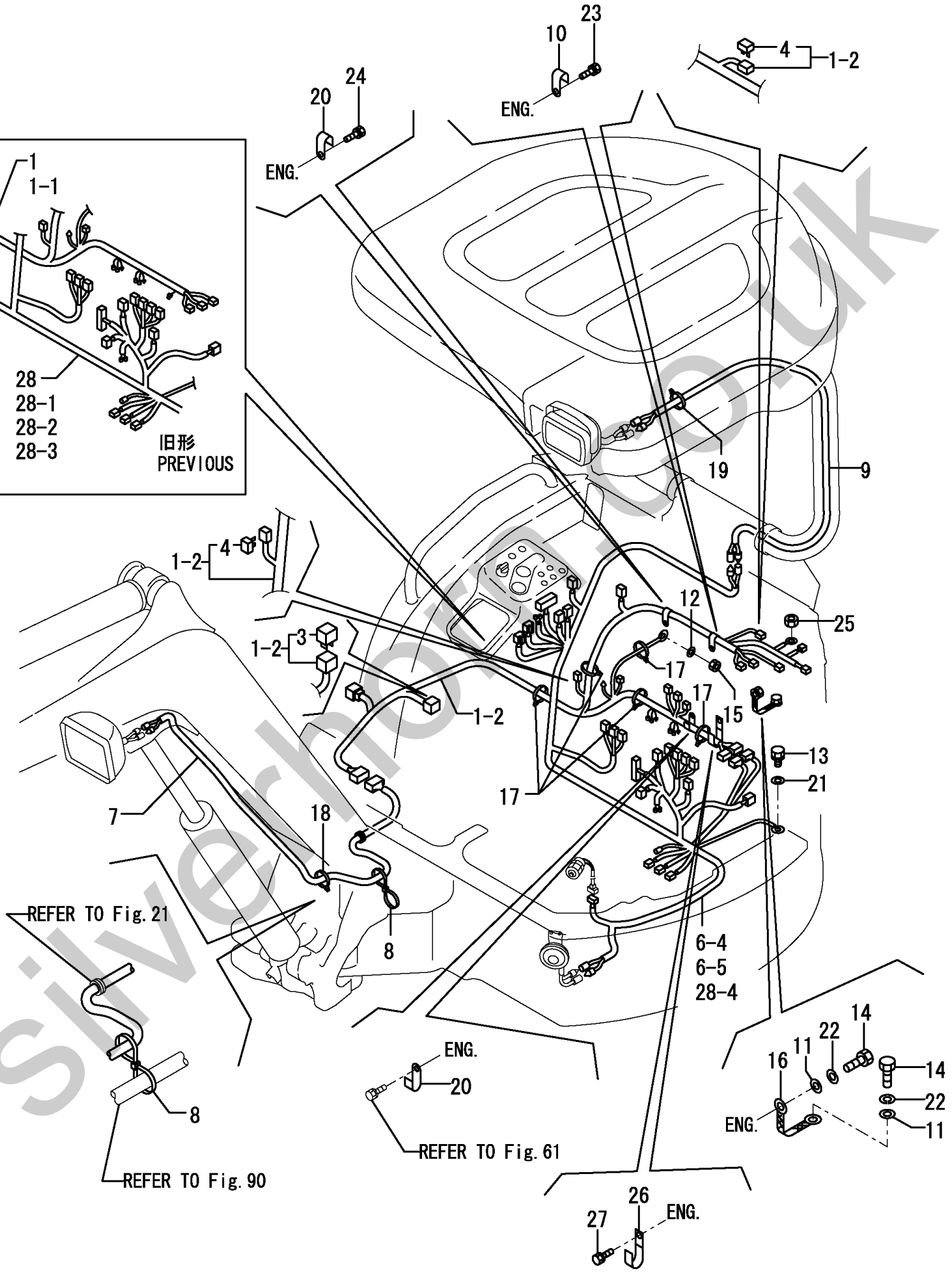
1,1,,172456-16500,, "HARNESS ASSY ,A",,1,,,,,,,,,,,,,  
1-1,1,,172456-16501,, "HARNESS (A) ASSY",,1,,,,,N,,,,,72456212,M/#21581,,,,,,I  
1-2,1,,172456-16502,, "HARNESS ASSY ,A",,1,1,1,,S,,,,,72456259,M/#21915,,,,,,I  
3,2,,172458-16550,, "HUSE,SLOW BLOW (50A",,1,1,1,,,,,,,,,,,,,  
4,2,,172648-16600,, "DIODE,2,2,,2,,,,,,,,,,,,,  
6,1,,172456-16520,, "HARNESS B",,1,,,,,,,,,,,,,  
6-1,1,,172456-16521,, "HARNESS (B)",,1,,,,,N,,,,,72456190,M/#21218,,,,,,I  
6-2,1,,172456-16522,, "HARNESS (B)",,1,,,,,N,,,,,72456207,M/#21547,,,,,,I  
6-3,1,,172456-16523,, "HARNESS (B)",,1,,,,,N,,,,,72456212,M/#21581,,,,,,I  
6-4,1,,172456-16524,, "HARNESS (B)",,1,,,,,S,,,,,72456259,M/#21915,,,,,,I  
6-5,1,,172456-16525,, "HARNESS B ASSY",,1,1,1,,N,,,,,724560296,M/#25825,,,,,,I  
7,1,,172456-16530,, "HARNESS,BOOM LAMP",,1,1,1,,,,,,,,,,,,,  
8,1,,172137-16560,, "BAND,1,1,,1,,,,,,,,,,,,,  
9,1,,172458-16560,, "HARNESS,CANOPY LAMP",,1,,,,,,,,,,,,,  
9-1,1,,172458-16561,, "HARNESS,CANOPY  
LAMP",,1,1,,N,,,,,72456189,M/#21169,,,,,,I  
10,1,,194440-51620,, "CLAMP, WIRE HARNESS",,1,1,1,,,,,,,,,,,,,  
11,1,,22137-120000,, "WASHER 12,POLISHED",,2,2,2,,,,,,,,,,,,,  
12,1,,22217-050000,, "SPRING WASHER 5",,1,1,1,,,,,,,,,,,,,  
13,1,,26013-100202,, "BOLT W/WASHER M10X20",,1,1,1,,,,,,,,,,,,,  
14,1,,26116-100162,, "BOLT M10X 16 PLATED",,2,,,,,M,,,,,  
14-1,1,,26116-120162,, "BOLT M12X 16 PLATED",,2,2,2,,,,,,,,,,,,,  
15,1,,26716-050002,, "NUT M 5",,1,1,1,,,,,,,,,,,,,  
16,1,,933171-15801,, "WIRE, EARTH",,1,1,1,,,,,,,,,,,,,  
17,1,,172126-11510,, "BAND 300",,5,5,5,,,,,,,,,,,,,  
18,1,,172126-11510,, "BAND 300",,1,1,1,,,,,,,,,,,,,  
19,1,,172126-11510,, "BAND 300",,1,1,1,,,,,,,,,,,,,  
20,1,,172126-16540,, "CLAMP 10X70",,2,2,2,,,,,,,,,,,,,  
21,1,,22137-100000,, "WASHER 10,POLISHED",,1,1,1,,,,,,,,,,,,,  
22,1,,22217-120000,, "SPRING WASHER 12",,2,2,2,,,,,,,,,,,,,  
23,1,,26013-080162,, "BOLT W/WASHER M8X16",,1,1,1,,,,,,,,,,,,,  
24,1,,26013-100162,, "BOLT M10X 16",,1,1,1,,,,,,,,,,,,,  
25,1,,26716-040002,, "NUT M 4",,1,1,1,,W,,,,,72456167,M/#20501,,,,,,  
26,1,,1A1380-59480,, "CLAMP  
A,SM.&DYN.CORD",,1,1,1,,W,,,,,72456259,M/#21915,,,,,,I  
27,1,,26013-100202,, "BOLT W/WASHER  
M10X20",,1,1,1,,W,,,,,72456259,M/#21915,,,,,,I  
28,1,,172469-16520,, "HARNESS B ASSY,US",,1,,,,,W,1,,72469006,M/#20945,,,,,,I  
28-1,1,,172469-16521,, "HARNESS B ASSY",,1,,,,,N,1,,72456190,M/#21310,,,,,,I  
28-2,1,,172469-16522,, "HARNESS B ASSY  
(US",,1,,,,,N,1,,72456207,M/#21547,,,,,,I  
28-3,1,,172469-16523,, "HARNESS (B) ASSY  
(US",,1,,,,,N,1,,72456212,M/#21581,,,,,,I  
28-4,1,,172469-16524,, "HARNESS B  
ASSY,US",,1,,,,,S,1,,72456259,M/#21915,,,,,,I





- 6 28
- 6-1 28-1
- 6-2 28-2
- 6-3 28-3

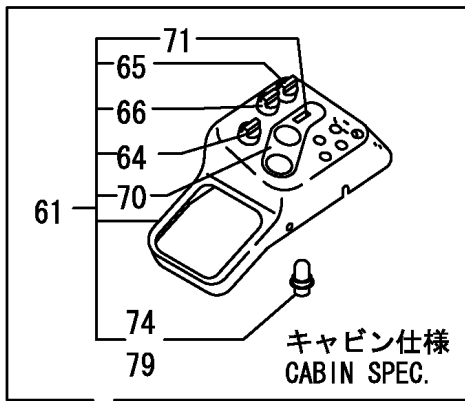
旧形  
PREVIOUS



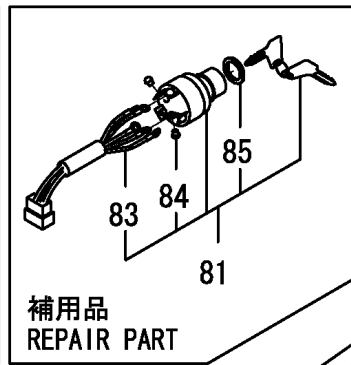
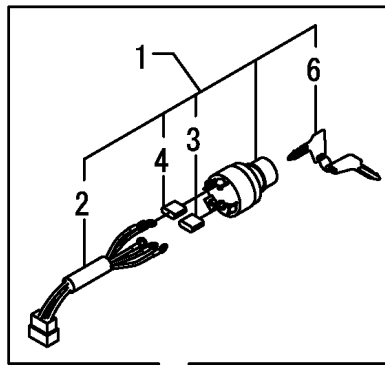


83,3,,172458-17150,,HARNESS,1,1,,,,,2,,,,,,,,,,,,,I  
84,3,,26022-050102,, "SCREW M 5X 10",5,5,,,,,2,,,,,,,,,,,,,I  
85,2,,172458-17161,,PLATE,1,1,,,,,2,,,,,,,,,,,,,I

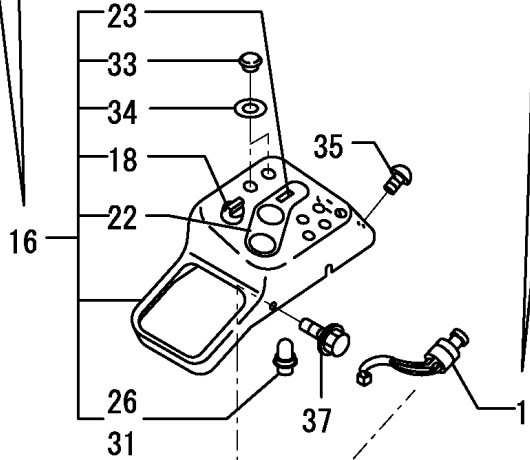
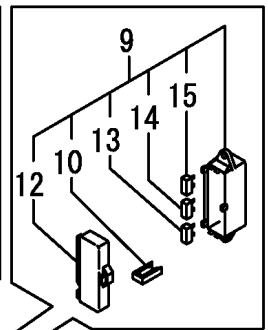
Silverhorn.CO.UK



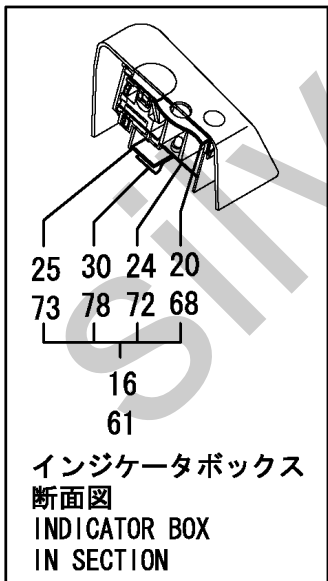
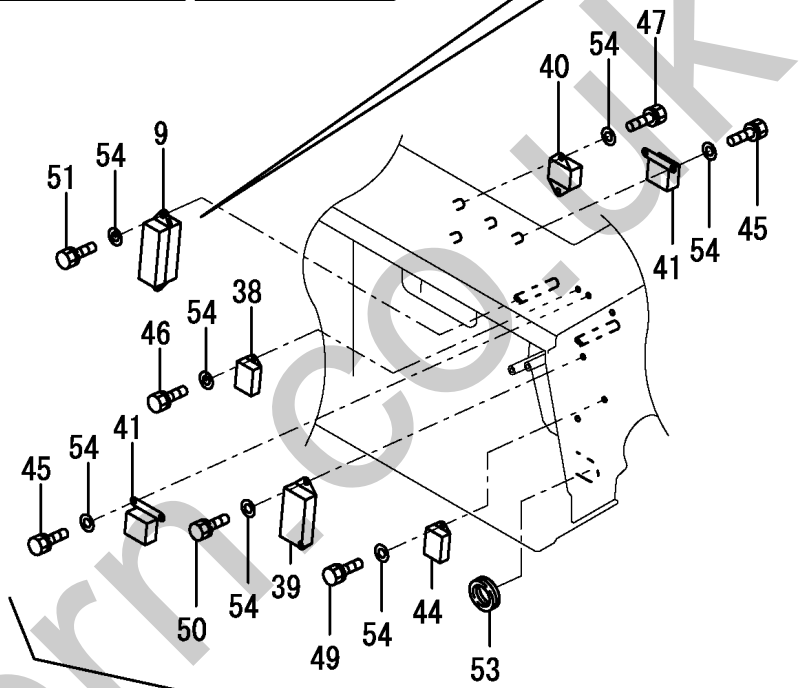
キャビン仕様  
CABIN SPEC.



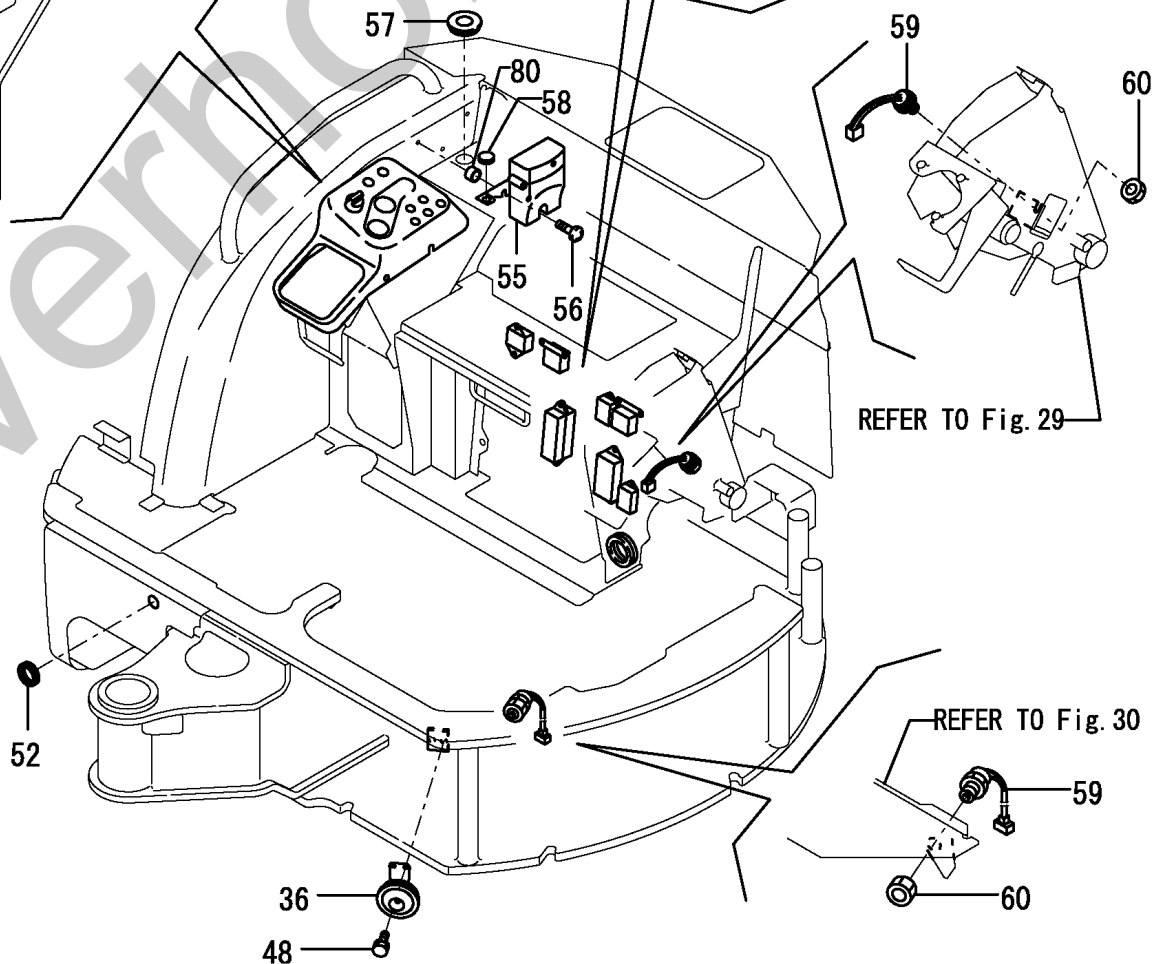
補用品  
REPAIR PART



REFER TO Fig. 28



インジケータボックス  
断面図  
INDICATOR BOX  
IN SECTION

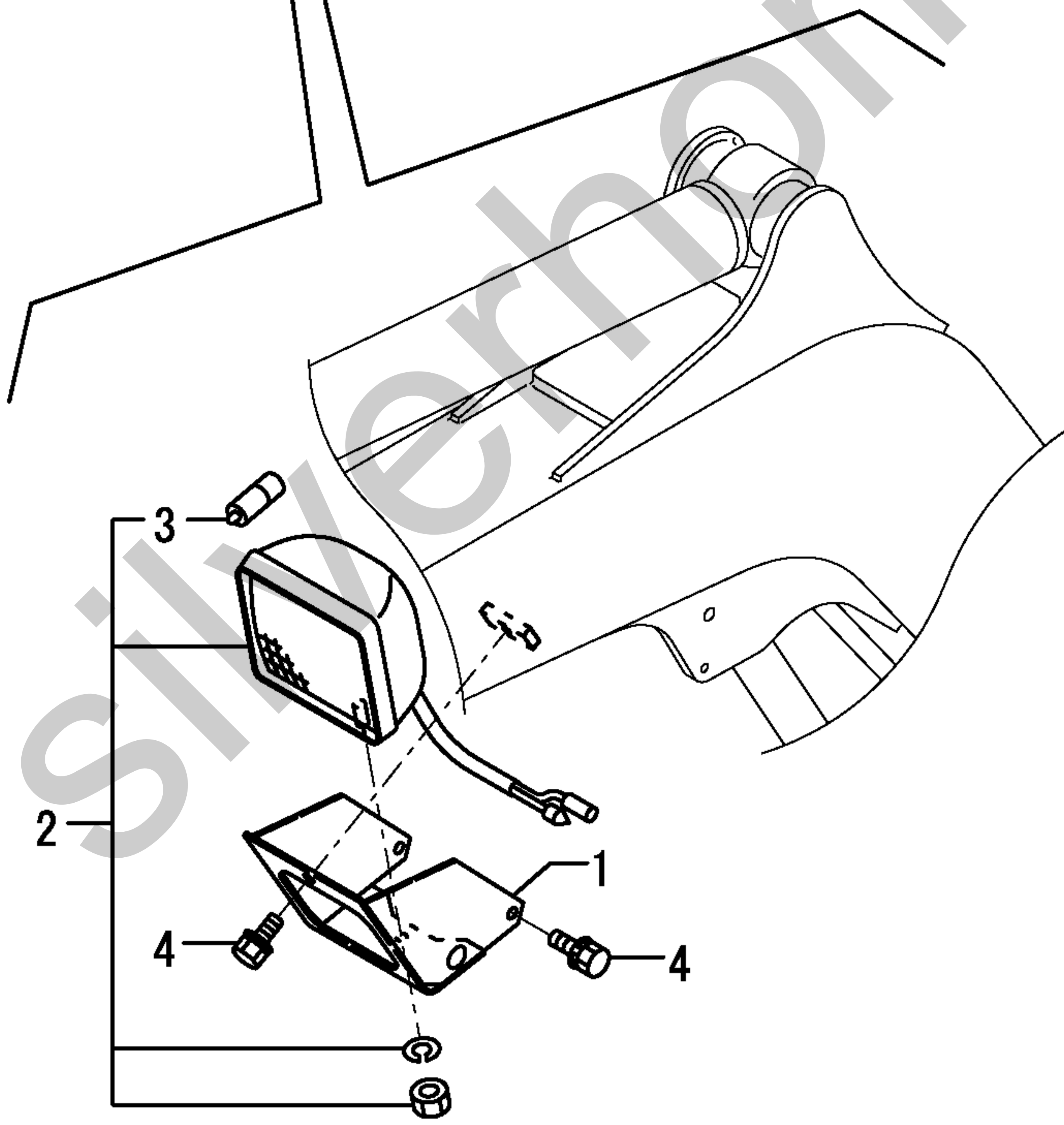
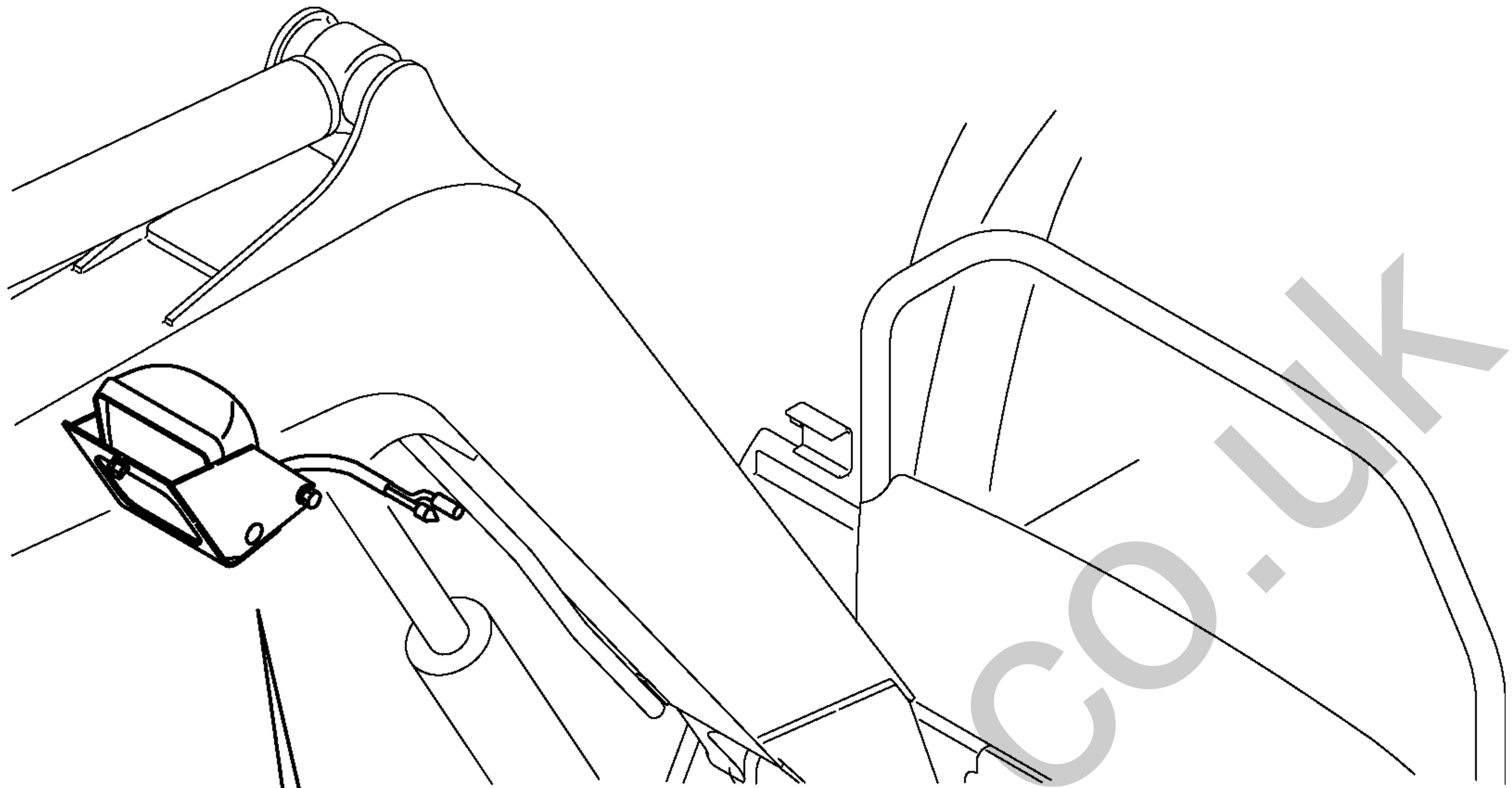


REFER TO Fig. 29

REFER TO Fig. 30

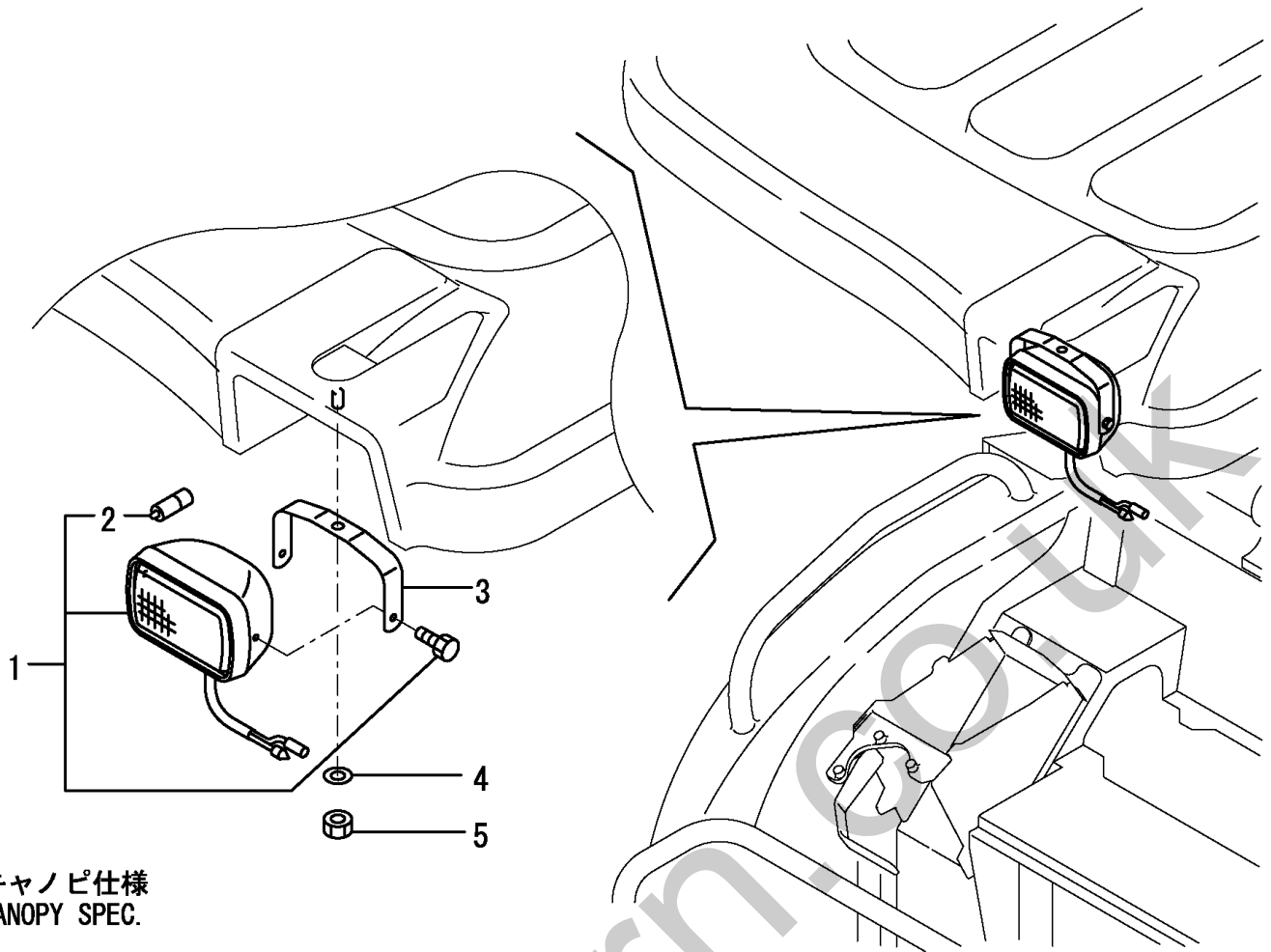
1,1,,172456-17400,, "COVER,LAMP(GREEN:97)",1,1,,1,,,,,,,,,,,,,  
2,1,,172458-17450,, "LAMP,WORK",1,1,,1,,,,,,,,,,,,,  
3,2,,172187-17540,, "BULB (12V 55W",1,1,,1,,,,,,,,,,,,,  
4,1,,26014-080202,, "BOLT M 8X 20",3,3,,3,,,,,,,,,,,,,

Silverhorn.CO.UK

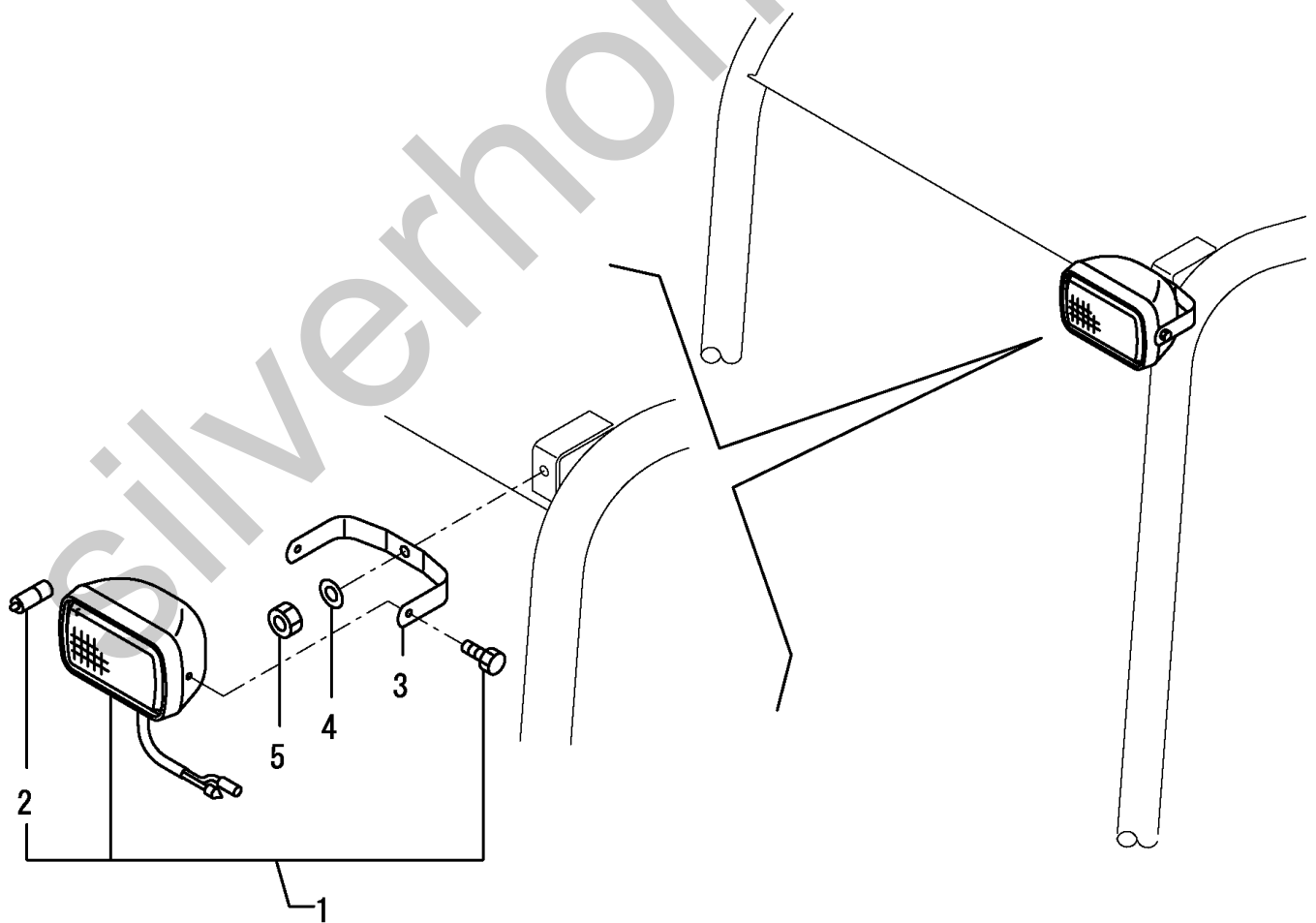


1,1,,172458-17400,, "LAMP 150X95" ,,1,1,,,,,,,,,,,,,  
2,2,,172458-17420,, "BULB,12V 55W" ,,1,1,,,,,,,,,,,,,  
3,1,,172458-17410,, "STAY (GRAY:73)" ,,1,1,,,,,,,,,,,,,  
4,1,,22137-100000,, "WASHER 10,POLISHED" ,,1,1,,,,,,,,,,,,,  
5,1,,26346-100002,, "U-NUT M10 PLATED" ,,1,1,,,,,,,,,,,,,

Silverhorn.CO.UK



キャノピ仕様  
CANOPY SPEC.

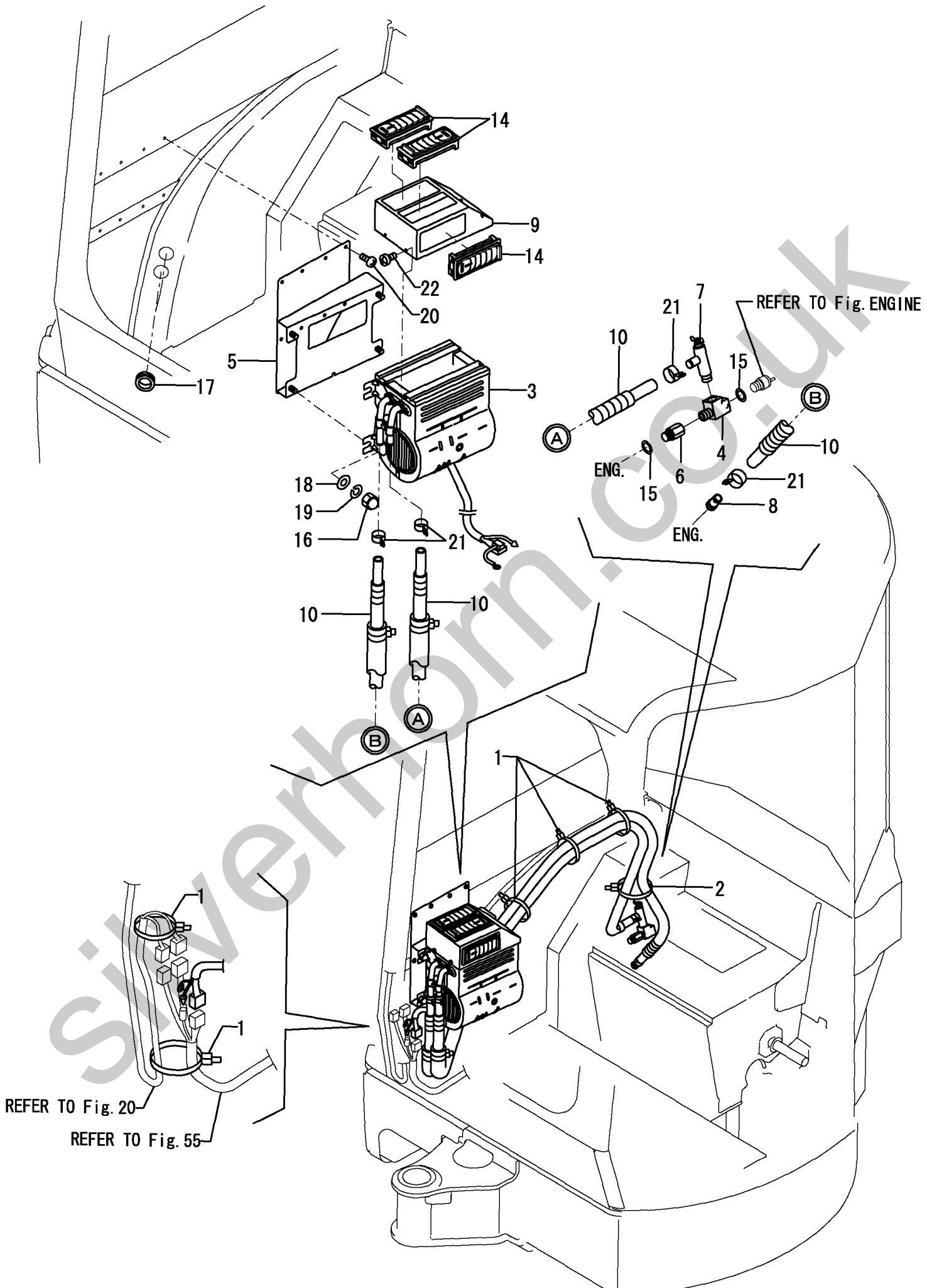


ROPSキャノピ仕様  
ROPS CANOPY SPEC.



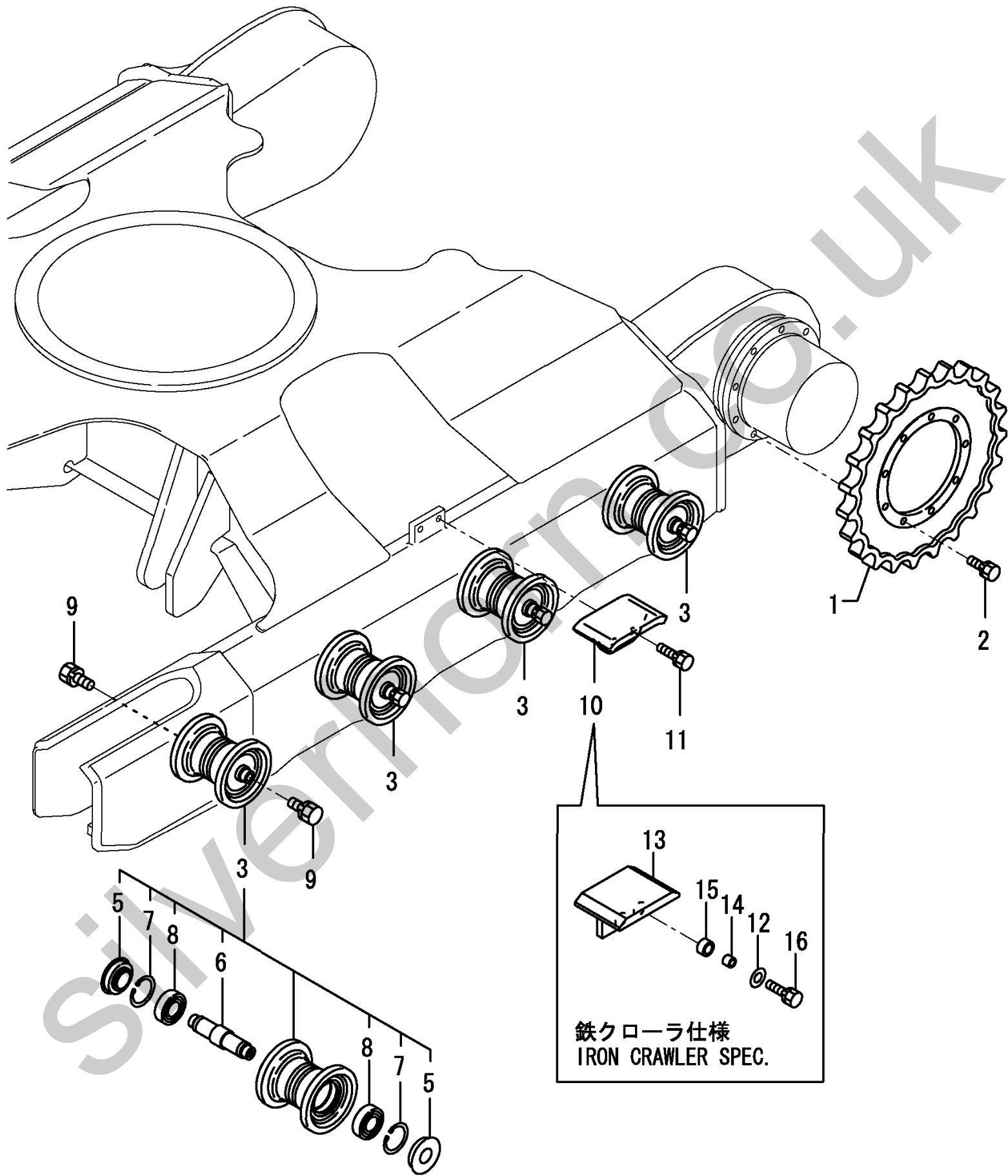
1,1,,172126-11510,, "BAND 300",5,,,,,,,,,,,,,,,,,,,,,I  
2,1,,172183-16560,, "CLIP 400,HOSE",1,,,,,,,,,,,,,,,,,,,,,I  
3,1,,172458-17551,, HEATER,1,,,,,,,,,,,,,,,,,,,,,I  
4,1,,172168-17600,, "CONNECTOR PT3/8-M16",1,,,,,,,,,,,,,,,,,,,,,I  
5,1,,172456-17600,, "BRACKET,HEATER (73)",1,,,,,,,,,,,,,,,,,,,,,I  
6,1,,172137-17631,, "JOINT, HEATER",1,,,,,,,,,,,,,,,,,,,,,I  
7,1,,172425-17630,, "VALVE ASSY, HEATER",1,,,,,,,,,,,,,,,,,,,,,I  
8,1,,172124-17640,, "JOINT 3/8",1,,,,,,,,,,,,,,,,,,,,,I  
9,1,,172456-17650,, "DUCT,HEATER(GRAY:73)",1,,,,,,,,,,,,,,,,,,,,,I  
10,1,,172456-17700,, "HOSE ASSY, HEATER",2,,,,,,,,,,,,,,,,,,,,,I  
14,1,,172458-17700,, GRILLE,3,,,,,,,,,,,,,,,,,,,,,I  
15,1,,124465-44950,, "GASKET 16",2,,,,,,,,,,,,,,,,,,,,,I  
16,1,,172458-63470,, "CUP NUT M10",4,,,,,,,,,,,,,,,,,,,,,I  
17,1,,172137-66230,, GROMMET,2,,,,,,,,,,,,,,,,,,,,,I  
18,1,,22137-100000,, "WASHER 10,POLISHED",4,,,,,,,,,,,,,,,,,,,,,I  
19,1,,22217-100000,, "SPRING WASHER 10",4,,,,,,,,,,,,,,,,,,,,,I  
20,1,,22877-500120,, "SCREW 5.0\* 12",8,,,,,,,,,,,,,,,,,,,,,I  
21,1,,23001-022000,, "HOSE CLAMP 22",4,,,,,,,,,,,,,,,,,,,,,I  
22,1,,26587-040122,, "SCREW M 4X 12",4,,,,,,,,,,,,,,,,,,,,,I

Silverhorn.CO.UK



1,1,,172173-29100,, "SPROCKET 23(GREEN:88)",2,2,,2,,,,,,,,,,,,,  
2,1,,26013-100252,, "BOLT W/WASHER M10X25",18,18,,18,,,,,,,,,,,,,  
3,1,,772456-37300,, "TRACK ROLLER ASSY(88)",,8,,,,,,,,,,,,,  
3-1,1,,772456-37301,, "TRACK ROLLER  
ASSY(88)",8,8,,8,,,R,,,,,72456266,M/#21915,,,,,,,,,I  
5,2,,172173-37320,,SEAL,,16,,,,,,,,,,,,,  
5-1,2,,1E6140-73420,, "SEAL QLF255218,  
OIL",16,16,,16,,,R,,,,,72456233,M/#21637,,,,,,,,,I  
6,2,,172456-37320,, "SHAFT,ROLLER",8,8,,8,,,,,,,,,,,,,  
7,2,,22252-000520,, "CIRCLIP 52",16,16,,16,,,,,,,,,,,,,  
8,2,,24101-062054,, "BEARING #6205",16,16,,16,,,,,,,,,,,,,  
9,1,,26013-120252,, "BOLT M12X 25",16,16,,16,,,,,,,,,,,,,  
10,1,,172456-37500,, "PLATE (GREEN:88)",2,2,,2,,,1,,,,,,,,,I  
11,1,,26013-100302,, "BOLT M10X 30",4,4,,4,,,1,,,,,,,,,I  
12,1,,172110-36010,,COLLAR,4,4,,4,,,2,,,,,,,,,I  
13,1,,172173-37500-1,, "PLATE,HOSE BAFFLE(88)",2,2,,2,,,2,,,,,,,,,I  
14,1,,172183-37510,, "COLLAR 11X16X13",4,4,,4,,,2,,,,,,,,,I  
15,1,,172183-37520,, "COLLAR 16X24X13,RBBR",4,4,,4,,,2,,,,,,,,,I  
16,1,,26013-100352,, "BOLT M10X 35",4,4,,4,,,2,,,,,,,,,I

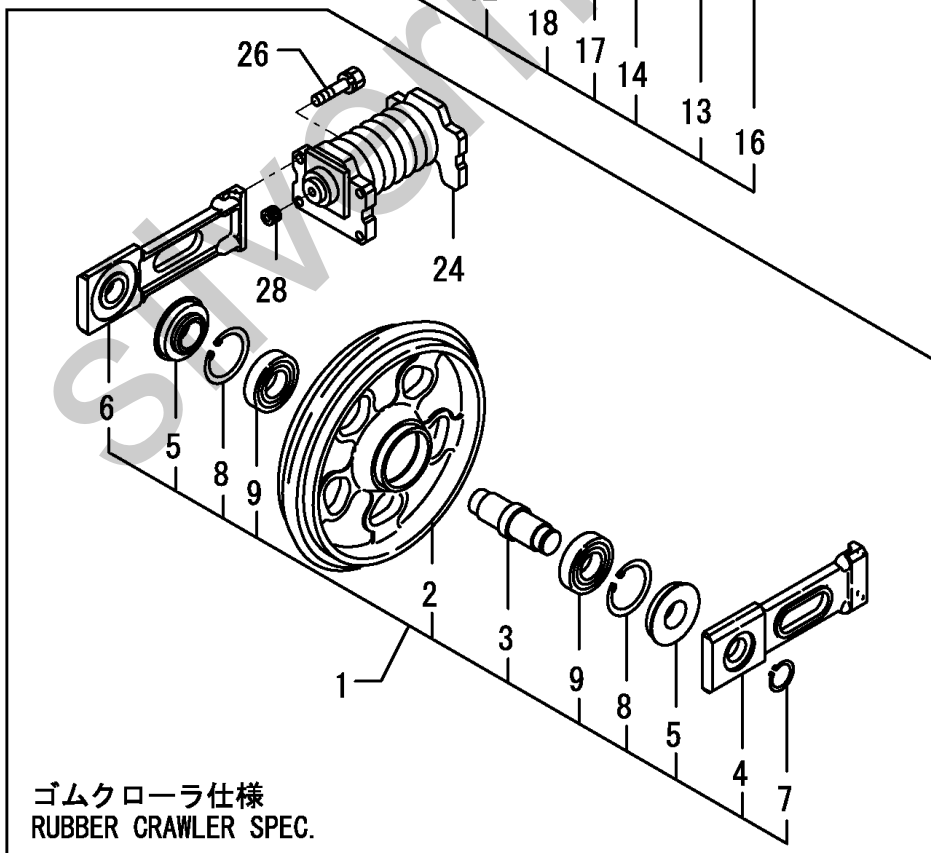
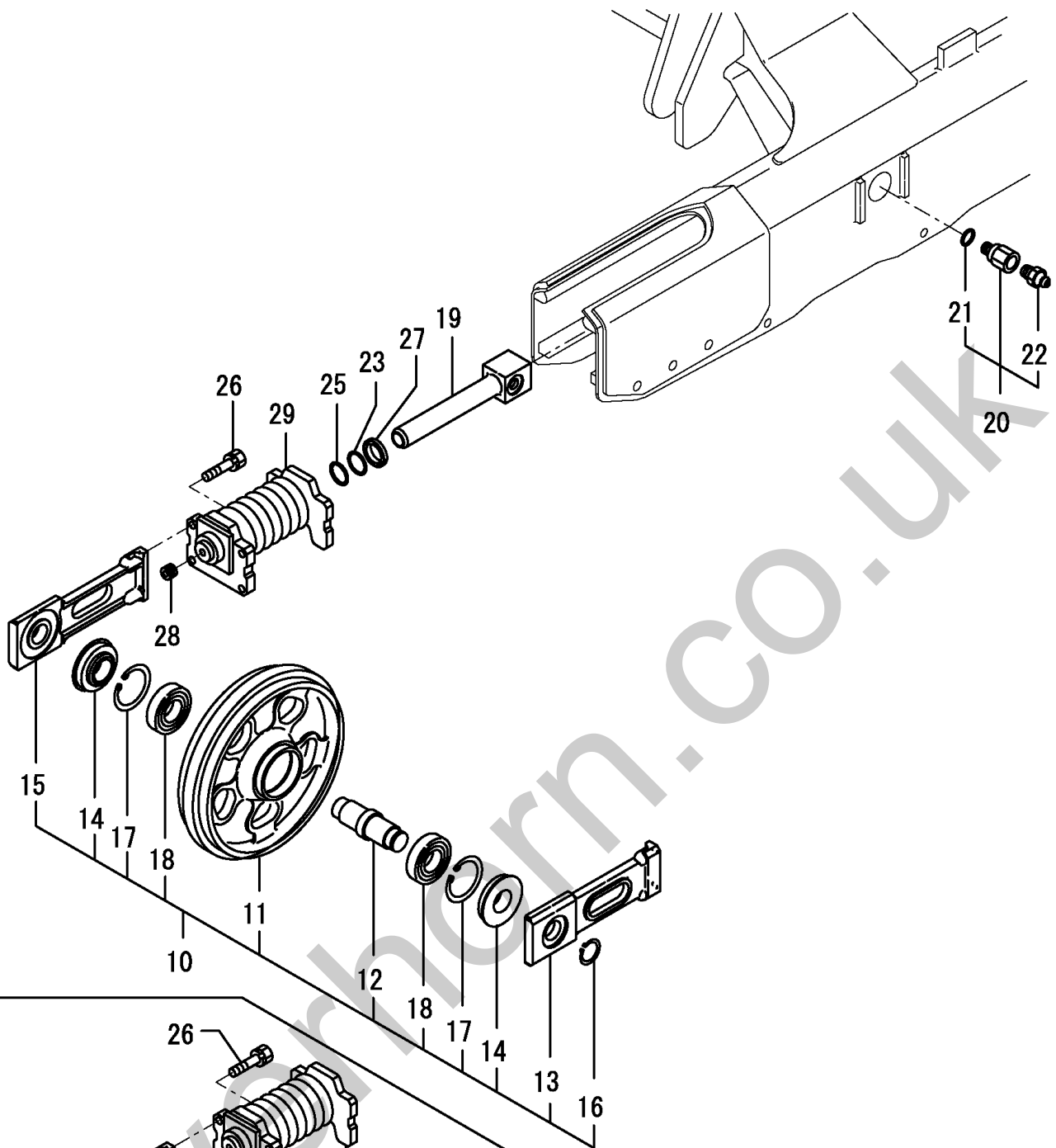
Silverhorn.CO.UK



鉄クローラ仕様  
IRON CRAWLER SPEC.

1,1,,772456-37100,, "IDLER 285,RUBBER(88)",2,2,,2,,,,,1,,,,,,,,,,,,,  
 2,2,,172456-37100,, "IDLER 285 (GREEN:88)",2,2,,2,,,,,,,,,,,,,  
 3,2,,172456-37120,, "SHAFT,IDLER",2,2,,2,,,,,,,,,,,,,  
 4,2,,172456-37130,, "COVER L,IDLER SEAL",2,2,,2,,,,,,,,,,,,,  
 5,2,,172141-37140,, "SEAL 357220",4,4,,4,,,,,,,,,,,,,  
 6,2,,172456-37140,, "COVER R,IDLER SEAL",2,2,,2,,,,,,,,,,,,,  
 7,2,,22242-000300,, "CIRCLIP 30",2,2,,2,,,,,,,,,,,,,  
 8,2,,22252-000720,, "CIRCLIP 72",4,4,,4,,,,,,,,,,,,,  
 9,2,,24101-062074,, "BALL BEARING",4,4,,4,,,,,,,,,,,,,  
 10,1,,772456-37110,, "IDLER275ASY,IRON(88)",2,2,,2,,,,,2,,,,,,,,,,,,,I  
 11,2,,172456-37110,, "IDLER 275 (GREEN:88)",2,2,,2,,,,,,,,,,,,,  
 12,2,,172456-37120,, "SHAFT,IDLER",2,2,,2,,,,,,,,,,,,,  
 13,2,,172456-37130,, "COVER L,IDLER SEAL",2,2,,2,,,,,,,,,,,,,  
 14,2,,172141-37140,, "SEAL 357220",4,4,,4,,,,,,,,,,,,,  
 15,2,,172456-37140,, "COVER R,IDLER SEAL",2,2,,2,,,,,,,,,,,,,  
 16,2,,22242-000300,, "CIRCLIP 30",2,2,,2,,,,,,,,,,,,,  
 17,2,,22252-000720,, "CIRCLIP 72",4,4,,4,,,,,,,,,,,,,  
 18,2,,24101-062074,, "BALL BEARING",4,4,,4,,,,,,,,,,,,,  
 19,1,,172456-37800,, "TUBE,ADJUST",2,2,,2,,,,,,,,,,,,,  
 20,1,,172122-37843,, "VALVE ASSY, NIPPLE",,2,,,,,,,,,,,,,  
 20-1,1,,172122-37844,, "VALVE ASSY,  
 NIPPLE",2,2,,2,,,N,,,,,72460073,M/#20697,,,,,  
 21,2,,24315-000140,, "O-RING 1B P-14.0",2,2,,2,,,,,,,,,,,,,  
 22,2,,24761-020000,, "NIPPLE PT1/8,GREASE",2,2,,2,,,,,,,,,,,,,  
 23,1,,172137-37850,, "RING, BACK UP",2,2,,2,,,,,,,,,,,,,  
 24,1,,172421-37851,, "SPRING, CRAWLER",2,2,,2,,,,,1,,,,,,,,,,,,,  
 25,1,,24315-000300,, "O-RING 1B P-30.0",2,2,,2,,,,,,,,,,,,,  
 26,1,,26013-100402,, "BOLT M10X 40",8,8,,8,,,,,,,,,,,,,  
 27,1,,933126-38600,, "SEAL, DUST",2,2,,2,,,,,,,,,,,,,  
 28,1,,933171-13691,, "PLUG PT1/8",2,2,,2,,,,,,,,,,,,,  
 29,1,,172421-37701,, "SPRING, CRAWLER",2,2,,2,,,,,2,,,,,,,,,,,,,I





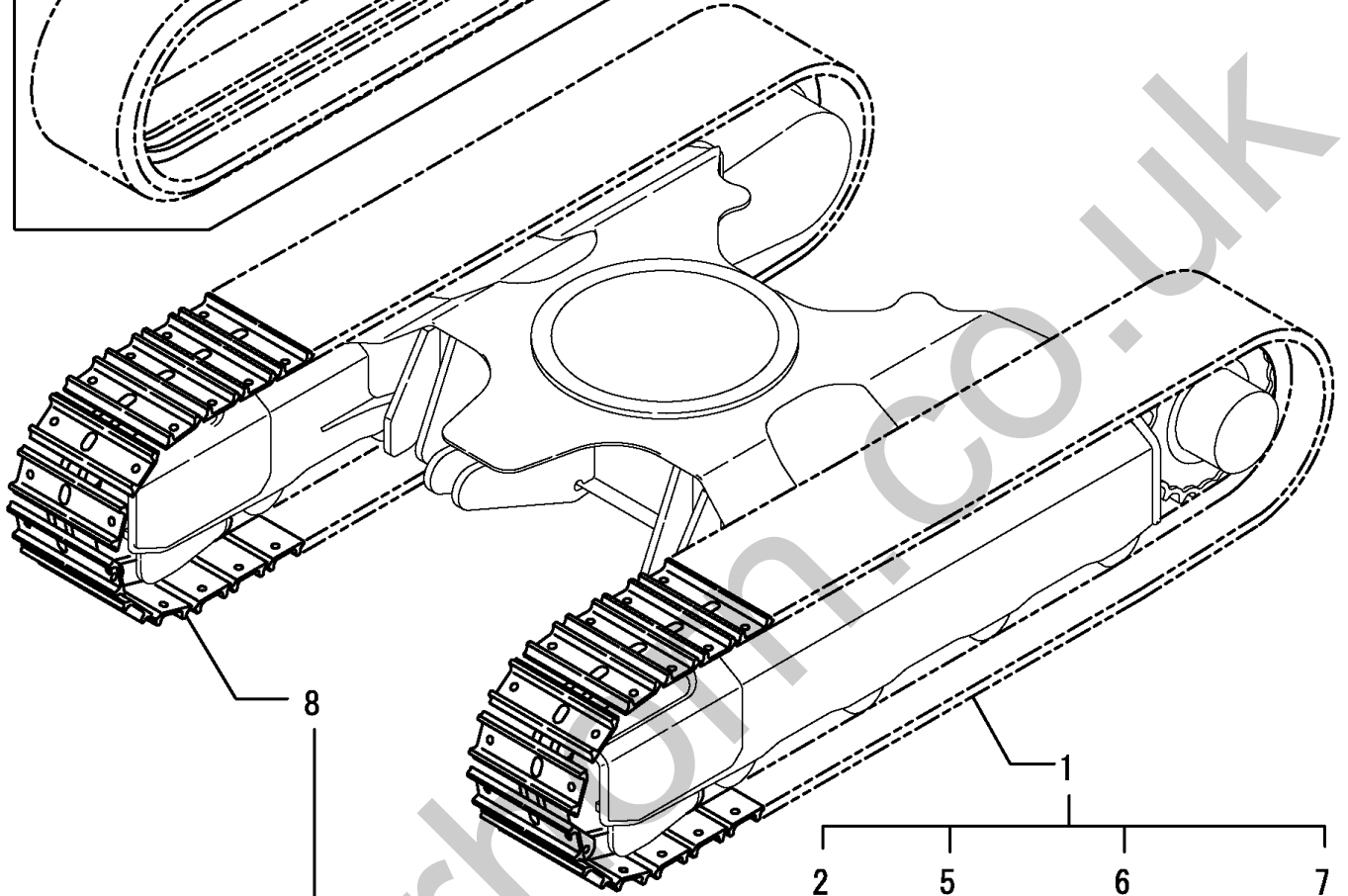
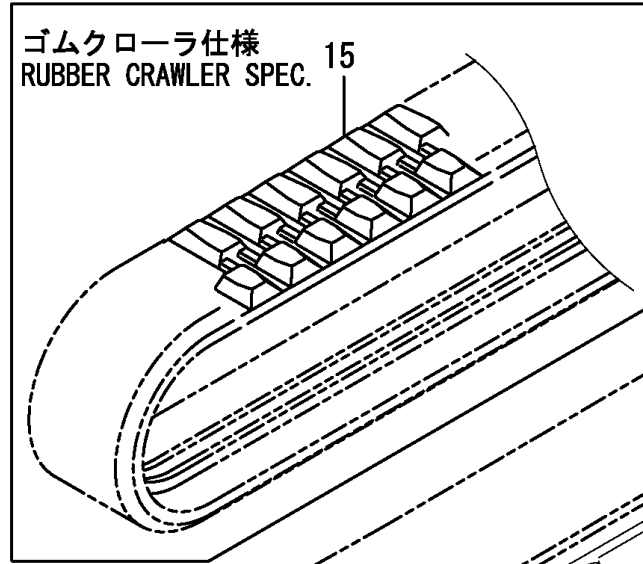
ゴムクローラ仕様  
RUBBER CRAWLER SPEC.

1,1,,172456-38100,, "SHOE L,TRACK(GREEN88",1,1,,1,,,,2,,,,,,,,,,,,,I  
2,2,,172421-38110,, "LINK,CRAWLER(GREEN88",1,1,,1,,,,,,,,,,,,,  
5,2,,172456-38110,, "PLATE,SHOE 250L (88)",44,44,,44,,,,,,,,,,,,,  
6,2,,172173-38220,, "PIN,MASTER",1,1,,1,,,,,,,,,,,,,  
7,2,,172173-38300,, "PIN 4X22,LOCK",1,1,,1,,,,,,,,,,,,,  
8,1,,172456-38120,, "SHOE R,TRACK(GREEN88",1,1,,1,,,,2,,,,,,,,,,,,,I  
9,2,,172421-38110,, "LINK,CRAWLER(GREEN88",1,1,,1,,,,,,,,,,,,,  
12,2,,172456-38130,, "PLATE,SHOE 250R",44,44,,44,,,,,,,,,,,,,  
13,2,,172173-38220,, "PIN,MASTER",1,1,,1,,,,,,,,,,,,,  
14,2,,172173-38300,, "PIN 4X22,LOCK",1,1,,1,,,,,,,,,,,,,  
15,1,,172421-38600,, "CRAWLER, RUBBER",2,2,,2,,,,1,,,,,,,,,,,,,  
16,1,,172456-38300,, "TRUCK,MASTER 250L(88",1,1,,1,,,,3,,,,,,,,,,,,,I  
21,1,,172456-38310,, "TRUCK,MASTER 250R(88",1,1,,1,,,,3,,,,,,,,,,,,,I

Silverhorn.CO.UK

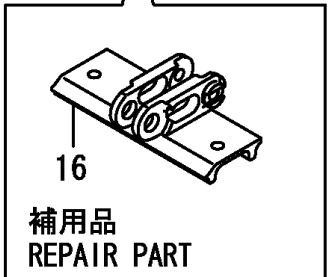
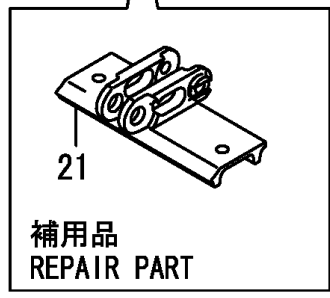
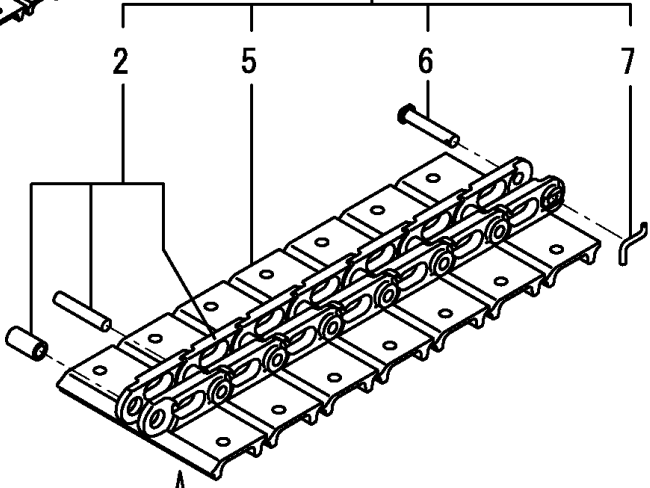
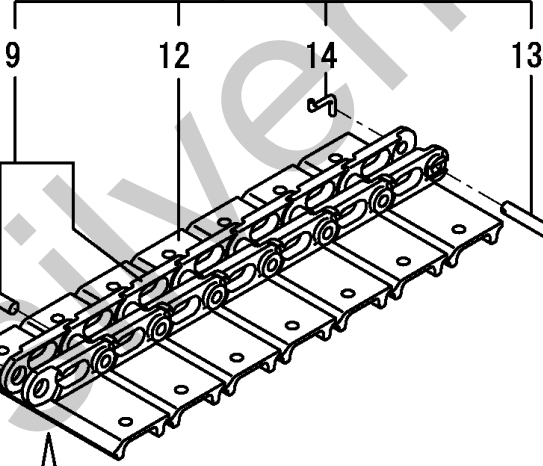
ゴムクローラ仕様  
RUBBER CRAWLER SPEC.

15



8

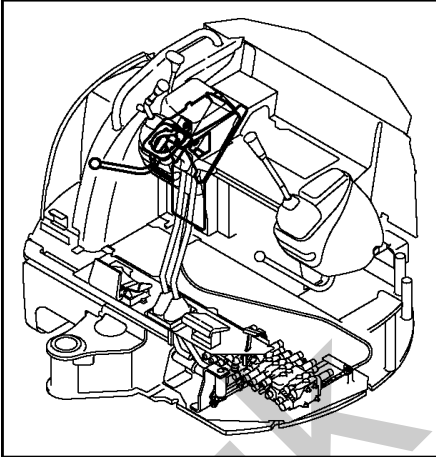
1



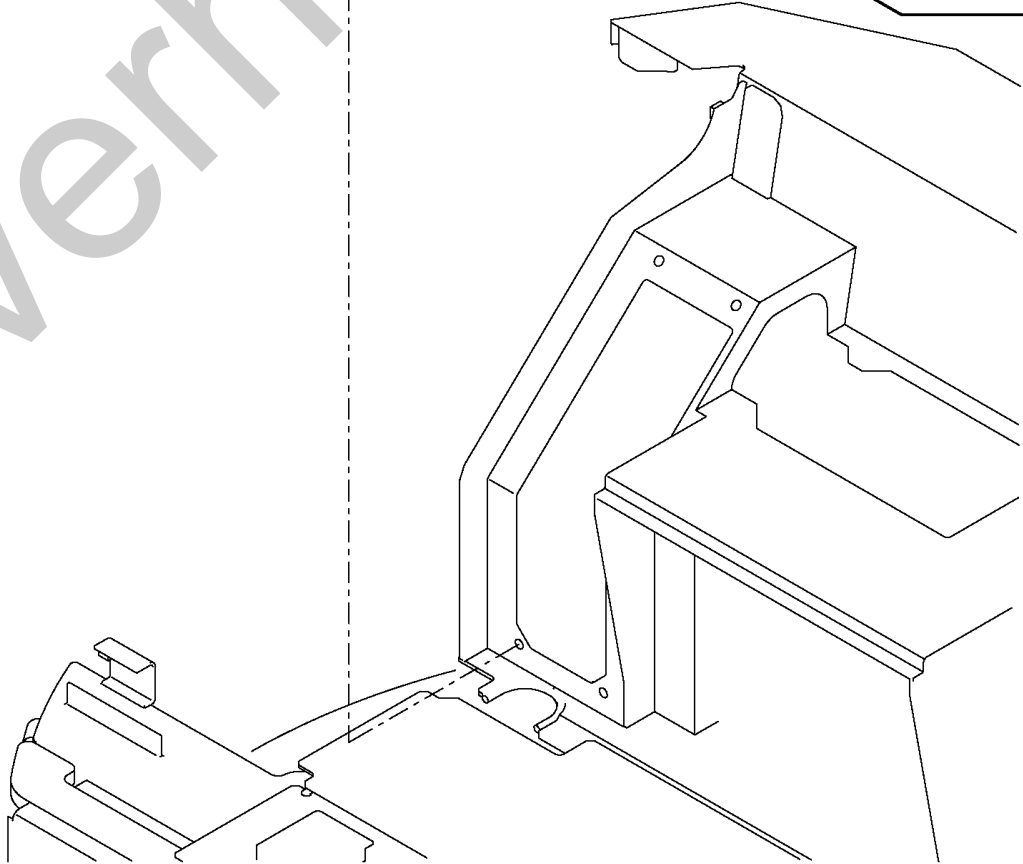
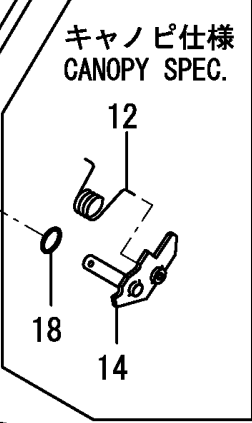
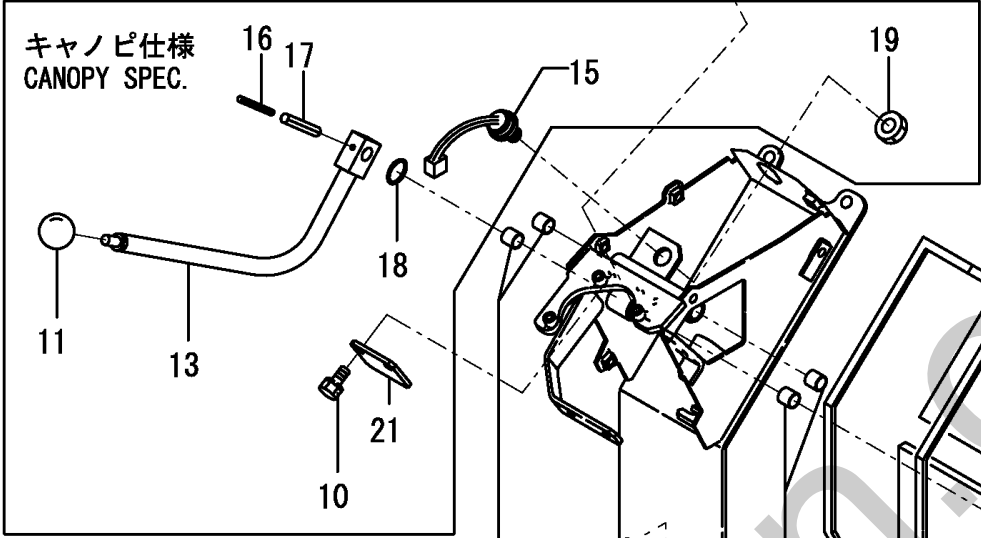


1,1,,172458-46730,, "BOLT N6X30",3,3,,3,,,,,,,,,,,,,,,,,,,,,  
2,1,,172458-46800,, "STAND R,LEVER(GRAY73)",,1,,,,,,,,,,,,,,,,,,,,,  
2-1,1,,172458-46801,, "STAND R,LEVER(GRAY73)",,1,,,,,N,,,,,72458307,M/#20501,,,,,,  
2-2,1,,172457-46800,, "STAND R, LEVER (73)",,1,,,,,N,,,,,72457029,M/#20580,,,,,,  
2-3,1,,172457-46801,, "STAND  
R,LEVER(GRAY73)",,1,1,,1,,,,,N,,,,,72457037,M/#21004,,,,,,  
3,2,,172141-41360,, "BUSH 1415",4,4,,4,,,,,,,,,,,,,,,,,,,,,  
5,2,,172458-46790,, "SEAL,LEVER STAND",,1,,,,,,,,,,,,,,,,,,,,,  
5-1,2,,172458-46790,, "SEAL,LEVER STAND",,1,,,,,Z,,,,,72457037,M/#21004,,,,,,  
7,2,,172458-47020,, "SPONGE,STAND-A",,1,,,,,W,,,,,72458307,M/#20501,,,,,,  
7-1,2,,172458-47020,, "SPONGE,STAND-A",,1,,,,,Z,,,,,72457029,M/#20580,,,,,,  
8,2,,172458-47030,, "SPONGE,STAND-B",,1,,,,,W,,,,,72458307,M/#20501,,,,,,  
8-1,2,,172458-47030,, "SPONGE,STAND-B",,1,,,,,Z,,,,,72457029,M/#20580,,,,,,  
9,1,,172455-61720,, "BOLT M 10X20",4,4,,4,,,,,,,,,,,,,,,,,,,,,  
10,1,,26013-080162,, "BOLT W/WASHER M8X16",,2,,2,,,,,,,,,,,,,,,,,,,,,  
11,1,,1D4070-23580,, "GRIP,RED ROUND",,1,,1,,,,,,,,,,,,,,,,,,,,,  
12,1,,172165-45970,, "SPRING",,1,,1,,,,,,,,,,,,,,,,,,,,,  
13,1,,172458-47680,, "LEVER R (GRAY:72)",,1,,1,,,,,,,,,,,,,,,,,,,,,  
14,1,,172458-47710,, "SHAFT (GRAY:73)",,1,,1,,,,,,,,,,,,,,,,,,,,,  
15,1,,194464-52190,, "SWITCH, SAFETY START",,1,,1,,,,,,,,,,,,,,,,,,,,,  
16,1,,22351-030032,, "SPRING PIN 3X32",,1,,1,,,,,,,,,,,,,,,,,,,,,  
17,1,,22351-050032,, "SPRING PIN 5X32",,1,,1,,,,,,,,,,,,,,,,,,,,,  
18,1,,24311-000210,, "O-RING 1A P-21.0",,2,,2,,,,,,,,,,,,,,,,,,,,,  
19,1,,26776-180002,, "NUT M18,LOCK",,1,,1,,,,,,,,,,,,,,,,,,,,,  
20,1,,172455-46940,, "PLATE R,BOOTS (73)",,1,,,,,,,,,,,,,,,,,,,,,  
20-1,1,,172455-46941,, "PLATE R,BOOTS  
(73)",,1,1,,1,,,,,R,,,,,72455316,M/#21074,,,,,,  
21,1,,172458-46950,, "PLATE (GRAY:73)",,1,,1,,,,,,,,,,,,,,,,,,,,,

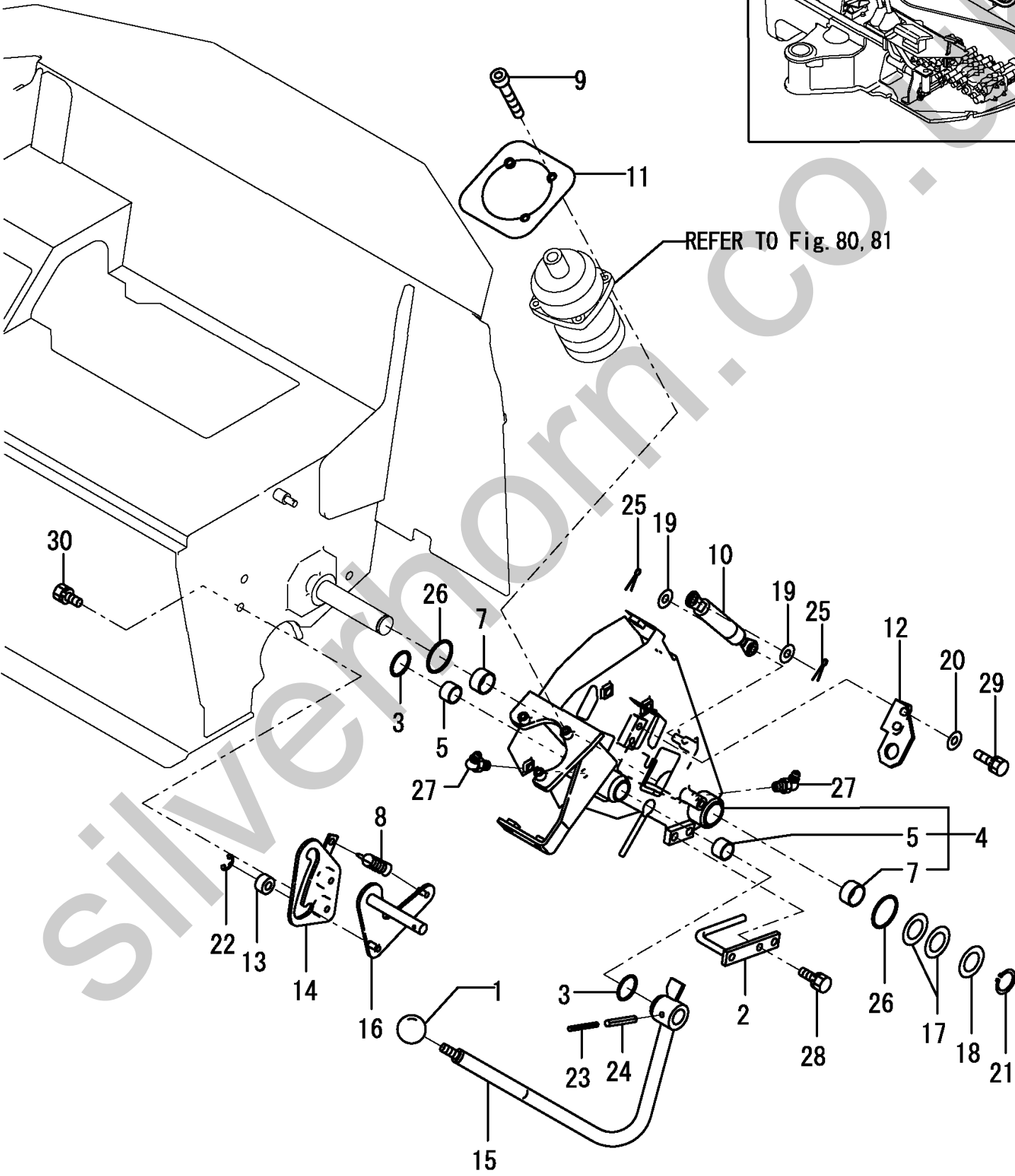
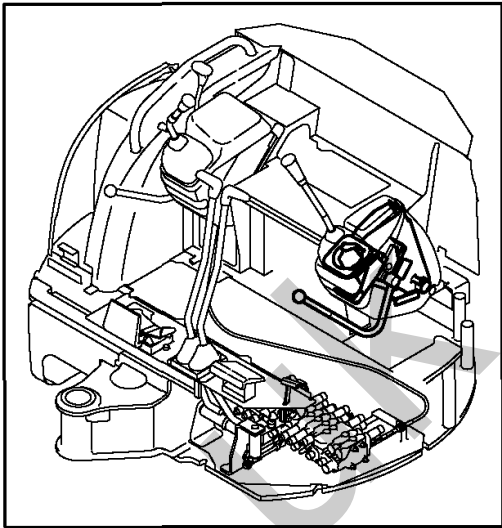




REFER TO Fig. 80



1,1,,1D4070-23580,, "GRIP,RED ROUND",1,1,,1,,,,,,,,,,,,,  
2,1,,172458-45850,, "GUIDE L,HOSE(GRAY:73",1,1,,1,,,,,,,,,,,,,  
3,1,,172124-46200,, "O-RING 27X5.7",2,2,,2,,,,,,,,,,,,,  
4,1,,172458-46600,, "STAND L,LEVER(GRAY73",1,1,,1,,,,,,,,,,,,,  
5,2,,172141-41370,, "BUSH 2015",2,2,,2,,,,,,,,,,,,,  
7,2,,24550-025150,, "BUSH 25X15",2,2,,2,,,,,,,,,,,,,  
8,1,,172162-46690,, "SPRING,1,1,,1,,,,,,,,,,,,,  
9,1,,172458-46730,, "BOLT N6X30",3,3,,3,,,,,,,,,,,,,  
10,1,,172455-46890,, "SPRING,GAS",1,1,,1,,,,,,,,,,,,,  
11,1,,172455-46900,, "PLATE",1,,,,,,,,,,,,,  
11-1,1,,172455-46901,, "PLATE L, BOOTS",1,1,,1,,R,,,,,72455316,M/#21074,,,,,  
12,1,,172455-46950,, "BRACKET, SWITCH",1,1,,1,,,,,,,,,,,,,  
13,1,,172165-47550,, "BUSH,1,1,,1,,,,,,,,,,,,,  
14,1,,172458-47601,, "GUIDE  
L,LOCK(GRAY:73",1,,,,,Z,,,,,72456282,M/#22501,,,,,,I  
15,1,,172458-47620,, "LEVER L,LOCK(GRAY:72",,1,,,,,,,,,,,,,  
15-1,1,,172458-47621,, "LEVER  
L,LOCK(GRAY:72",1,1,,1,,N,,,,,72458340,M/#20580,,,,,  
16,1,,172458-47640,, "ROD,SPRING (GRAY:73)",1,1,,1,,,,,,,,,,,,,  
17,1,,172165-47980,, "SHIM 42X25.5X0.5",2,2,,2,,,,,,,,,,,,,  
18,1,,172165-47990,, "WASHER 25.5X42",1,1,,1,,,,,,,,,,,,,  
19,1,,22137-080000,, "WASHER 8, POLISHED",2,2,,2,,,,,,,,,,,,,  
20,1,,22137-080000,, "WASHER 8, POLISHED",2,2,,2,,,,,,,,,,,,,  
21,1,,22242-000250,, "CIRCLIP 25S",1,1,,1,,,,,,,,,,,,,  
22,1,,22272-000070,, "CIRCLIP E- 7",1,1,,1,,,,,,,,,,,,,  
23,1,,22351-035040,, "SPRING PIN 3.5X40",1,1,,1,,,,,,,,,,,,,  
24,1,,22351-060040,, "SPRING PIN 6X40",1,1,,1,,,,,,,,,,,,,  
25,1,,22417-200200,, "COTTER PIN 2.0X20",2,2,,2,,,,,,,,,,,,,  
26,1,,24311-000340,, "O-RING 1A P-34.0",2,2,,2,,,,,,,,,,,,,  
27,1,,24761-050000,, "NIPPLE C,GREASE",2,2,,2,,,,,,,,,,,,,  
28,1,,26013-080162,, "BOLT W/WASHER M8X16",2,2,,2,,,,,,,,,,,,,  
29,1,,26013-080202,, "BOLT W/WASHER M8X20",2,2,,2,,,,,,,,,,,,,  
30,1,,26013-100202,, "BOLT W/WASHER  
M10X20",2,,,,,Z,,,,,72456282,M/#22501,,,,,,I

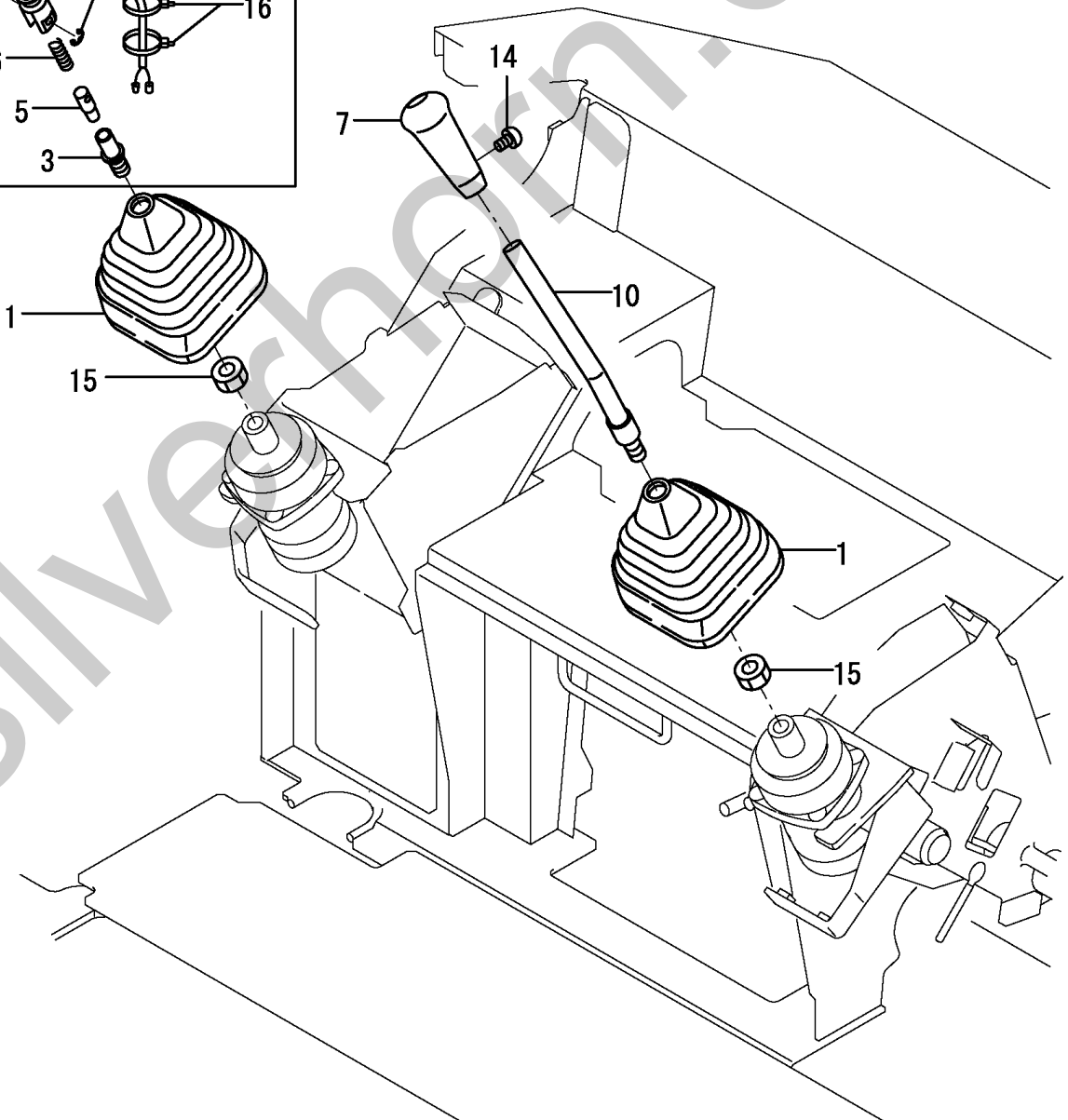
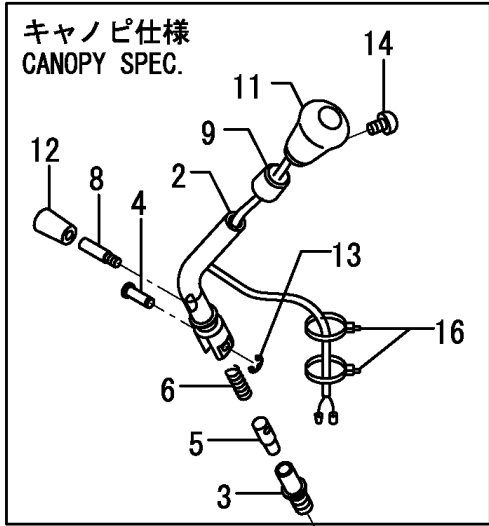
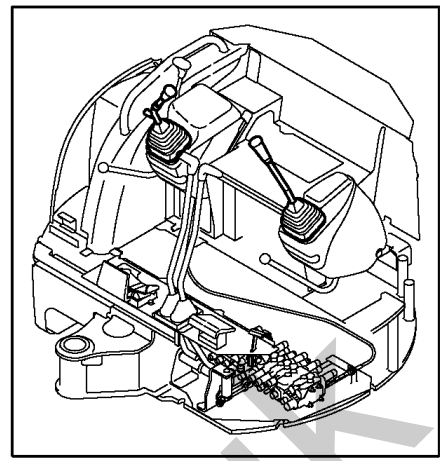
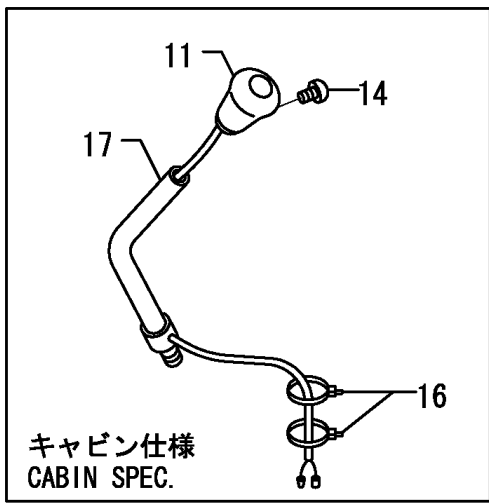


1,1,,172141-41340,,BOOTS,2,2,,2,,,,,,,,,,,,,  
2,1,,172456-45100,,,"LEVER L,TRACK(GRAY72",,1,,,,,,,,,,,,,  
2-1,1,,172469-45100,,,"LEVER  
L,TRUCK(GRAY72",,1,1,,1,,N,2,,,72456284,M/#22514,,,,,,,,,I  
3,2,,172141-41370,,,"BUSH 2015",,2,2,,2,,,,,,,,,,,,,  
5,1,,172456-45140,,,"LEVER R,TRACK(GRAY72",,1,,,,,,,,,,,,,  
5-1,1,,172469-45140,,,"LEVER  
R,TRUCK(GRAY72",,1,1,,1,,N,2,,,72456284,M/#22514,,,,,,,,,I  
6,2,,172141-41370,,,"BUSH 2015",,2,2,,2,,,,,,,,,,,,,  
8,1,,172187-45870,,,"GRIP L, DRIVE",,1,1,,1,,,,,,,,,,,,,  
9,1,,172187-45880,,,"GRIP R, DRIVE",,1,1,,1,,,,,,,,,,,,,  
10,1,,22117-040000,,,"WASHER 4",,2,2,,2,,,,,,,,,,,,,  
11,1,,26116-100404,,,"BOLT M10X 40 PLATED",,2,2,,2,,,,,,,,,,,,,  
12,1,,26587-040122,,,"SCREW M 4X 12",,2,2,,2,,,,,,,,,,,,,  
13,1,,26716-100002,,,"NUT 10",,4,4,,4,,,,,,,,,,,,,  
14,1,,172458-45660,,,"BRACKET,TRUCK(GRAY72",,1,,,,,,,,,,,,,  
14-1,1,,172472-45660,,,"BRACKET ASSY  
(TRUCK",,1,1,,1,,N,2,,,72456284,M/#22514,,,,,,,,,I  
15,1,,172124-46200,,,"O-RING 27X5.7",,3,3,,3,,,,,,,,,,,,,  
16,1,,24761-020000,,,"NIPPLE PT1/8,GREASE",,2,,,,,,,,,,,,,  
16-1,1,,24761-020000,,,"NIPPLE  
PT1/8,GREASE",,1,1,,1,,K,2,,,72456284,M/#22514,,,,,,,,,I  
17,1,,26013-100252,,,"BOLT W/WASHER M10X25",,2,2,,2,,,,,,,,,,,,,  
18,1,,172458-45400,,,"STAND,LINK(BLACK:12)",,1,,,,,1,,,,,,,,,,,,,  
18-1,1,,172458-  
45401,,,"STAND,LINK(BLACK:12)",,1,1,,1,,S,1,,,72456123,M/#20502,,,,,,,,,  
19,1,,172458-45510,,,"BRACKET,BOOT(BLACK12",,1,1,,1,,,,,,,,,,,,,  
20,1,,172187-45760,,,"COVER PAD",,1,1,,1,,,,,,,,,,,,,  
21,1,,22137-080000,,,"WASHER 8, POLISHED",,2,2,,2,,,,,,,,,,,,,  
22,1,,26013-080162,,,"BOLT W/WASHER M8X16",,2,2,,2,,,,,,,,,,,,,  
23,1,,26013-100202,,,"BOLT W/WASHER M10X20",,6,6,,6,,,,,,,,,,,,,  
24,1,,172458-45250,,,"ROD 91 ASSY",,2,2,,2,,,,,,,,,,,,,  
25,1,,172122-46590,,,"ELBALL 8",,2,2,,2,,,,,,,,,,,,,  
26,1,,22117-080000,,,"WASHER 8",,2,2,,2,,,,,,,,,,,,,  
27,1,,22417-160160,,,"COTTER PIN 1.6X16",,2,2,,2,,,,,,,,,,,,,  
28,1,,26051-080002,,,"NUT M 8",,4,4,,4,,,,,,,,,,,,,  
29,1,,933110-54100,,,"PIN 4.75X14",,2,2,,2,,,,,,,,,,,,,  
30,1,,26116-100604,,,"BOLT M10X 60 PLATED",,2,2,,2,,,,,,,,,,,,,  
31,1,,24761-020000,,,"NIPPLE PT1/8,GREASE",,1,,,,,,,,,,,,,  
31-1,1,,24761-050000,,,"NIPPLE  
C,GREASE",,1,1,,1,,S,2,,,72456284,M/#22514,,,,,,,,,I



1,1,,172151-45010,, "BOOT P,LEVER",2,2,,2,,,,,,,,,,,,,,,,,,,,,  
2,1,,172456-45010,, "LEVER R (GRAY:72)",,1,,1,,,,,,,,,,,,,,,,,,,,,  
3,1,,172164-45041,,HINGE,,1,,1,,,,,,,,,,,,,,,,,,,,,  
4,1,,172164-45050,, "PIN 8X 22",,1,,1,,,,,,,,,,,,,,,,,,,,,  
5,1,,172164-45061,,PIN,,1,,1,,,,,,,,,,,,,,,,,,,,,  
6,1,,172164-45070,,SPRING,,1,,1,,,,,,,,,,,,,,,,,,,,,  
7,1,,172165-45071,, "KNOB (L) ASSY",1,1,,1,,,,,,,,,,,,,,,,,,,,,  
8,1,,172164-45080,, "SCREW M6",,1,,1,,,,,,,,,,,,,,,,,,,,,  
9,1,,172164-45090,,CAP,,1,,1,,,,,,,,,,,,,,,,,,,,,  
10,1,,172165-47851,, "LEVER L, SI",1,1,,1,,,,,,,,,,,,,,,,,,,,,  
11,1,,172165-47871,, "KNOB (A) ASSY",1,1,,1,,,,,,,,,,,,,,,,,,,,,  
12,1,,172157-58830,, "KNOB 6.5X18X35",,1,,1,,,,,,,,,,,,,,,,,,,,,  
13,1,,22272-000060,, "CIRCLIP E- 6",,1,,1,,,,,,,,,,,,,,,,,,,,,  
14,1,,26587-040062,, "SCREW M 4X 6",2,2,,2,,,,,,,,,,,,,,,,,,,,,  
15,1,,26776-140002,, "LOCK NUT M14 PLATED",2,2,,2,,,,,,,,,,,,,,,,,,,,,  
16,1,,933168-55770,, "BAND 146",2,2,,2,,,,,,,,,,,,,,,,,,,,,  
17,1,,172165-47821,, "LEVER R ASSY, SI(72)",1,,,,,,,,,,,,,,,,,,,,,I

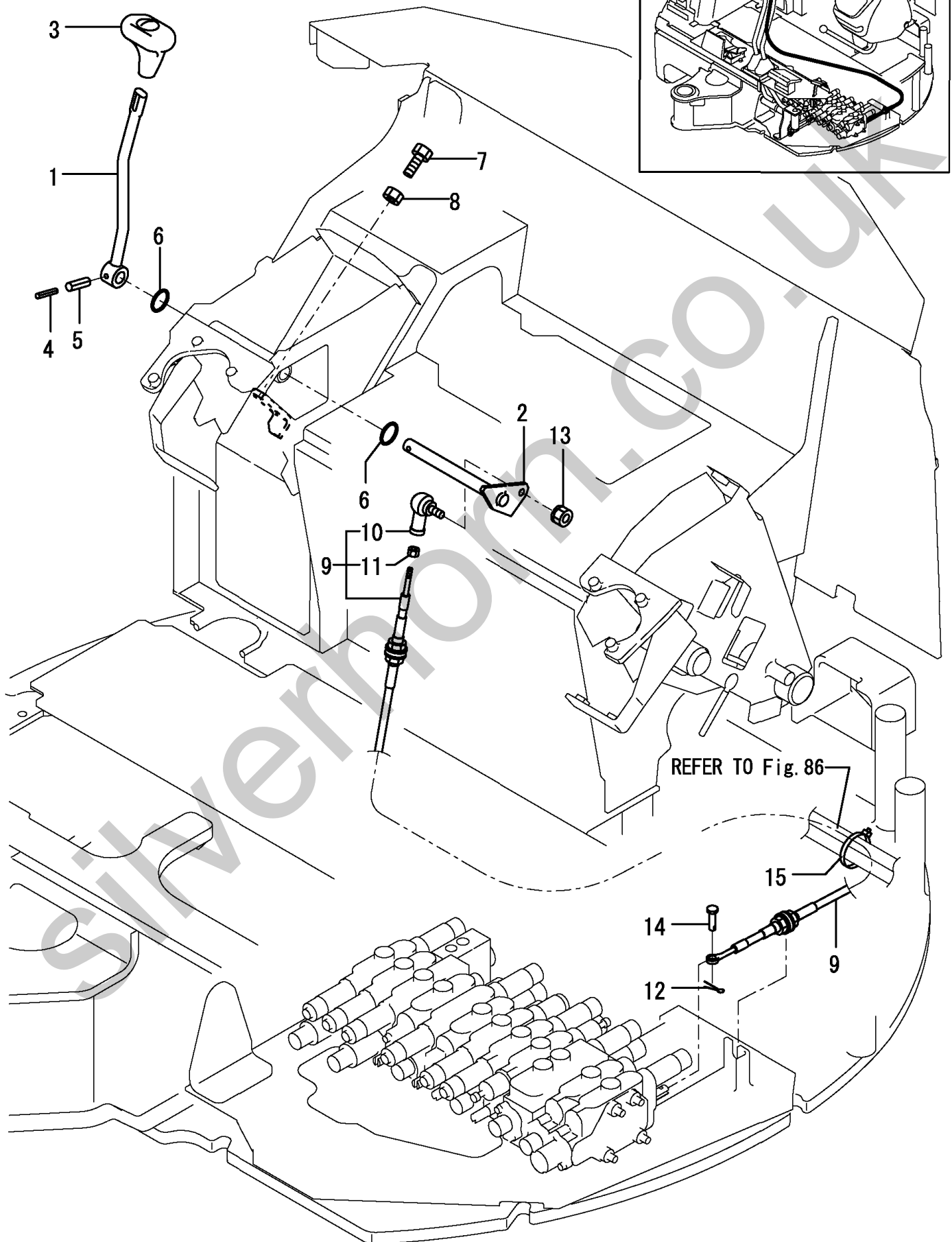
Silverhorn.CO.UK





1,1,,172458-45700,, "LEVER, BLADE (GRAY:72)",1,1,,1,  
2,1,,172458-45720,, "SHAFT ASSY (GRAY:72)",1,1,,1,  
3,1,,172164-45970,, "GRIP, BLADE",1,1,,1,  
4,1,,22351-030032,, "SPRING PIN 3X32",1,1,,1,  
5,1,,22351-050032,, "SPRING PIN 5X32",1,1,,1,  
6,1,,24311-000210,, "O-RING 1A P-21.0",2,2,,2,  
7,1,,26116-080202,, "BOLT M 8X 20 PLATED",,2,  
7-1,1,,26116-080254,, "BOLT M 8X 25  
PLATED",2,2,,2,,N,,72458513,M/#21858,,I  
8,1,,26716-080002,, "NUT M 8",2,2,,2,  
9,1,,172456-45800,, "CABLE, BLADE",1,1,,1,  
10,2,,172458-45810,, "BALL JOINT",1,1,,1,,W,,72458523,M/#20501,,I  
11,2,,26757-050002,, "NUT, 5",1,1,,1,,W,,72458523,M/#20501,,I  
12,1,,22417-160160,, "COTTER PIN 1.6X16",1,1,,1,  
13,1,,26051-080002,, "NUT M 8",1,1,,1,  
14,1,,933110-54100,, "PIN 4.75X14",1,1,,1,  
15,1,,933168-55770,, "BAND 146",1,1,,1,,W,,72456162,M/#20501,,

Silverhorn.CO.UK



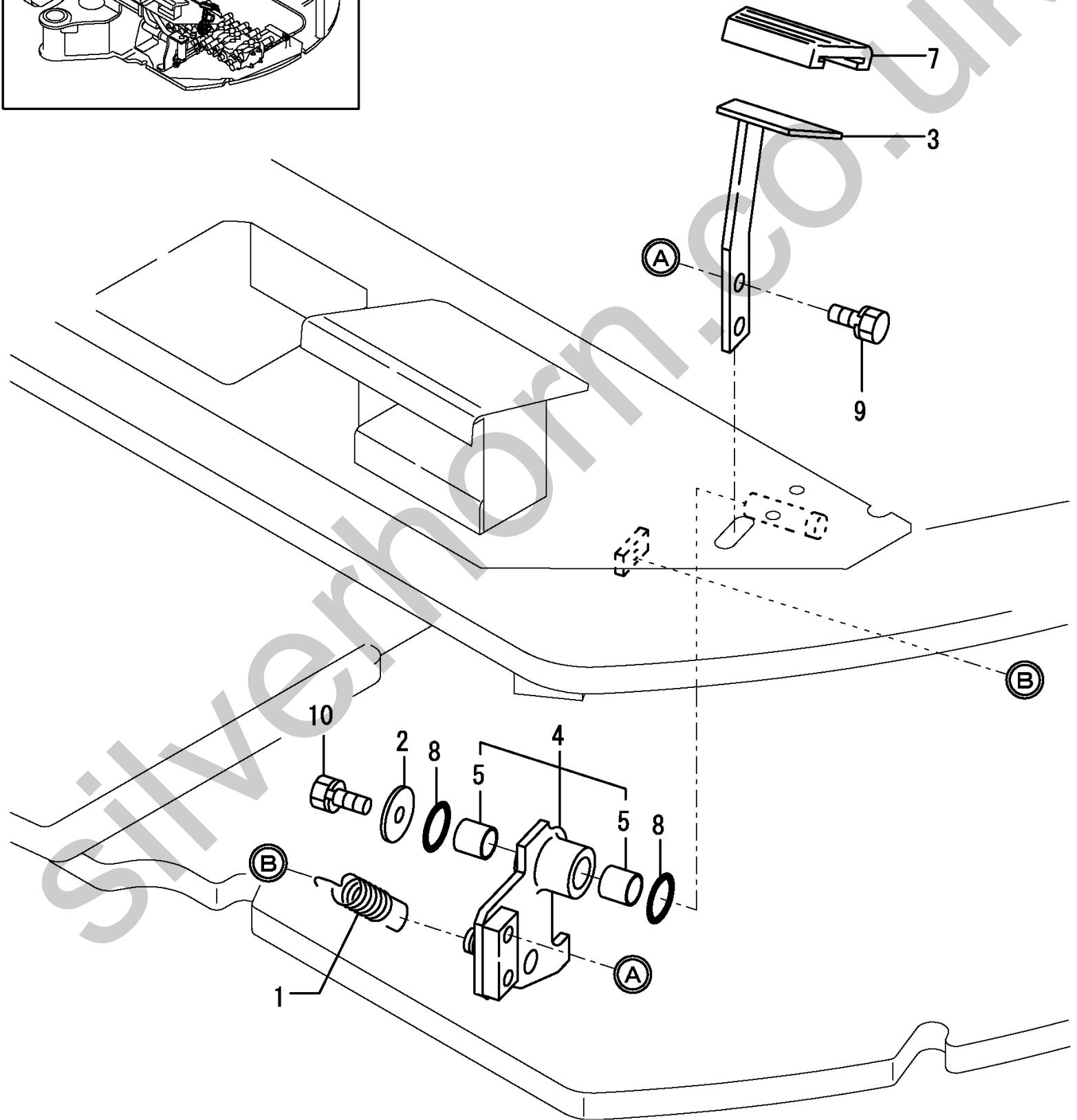
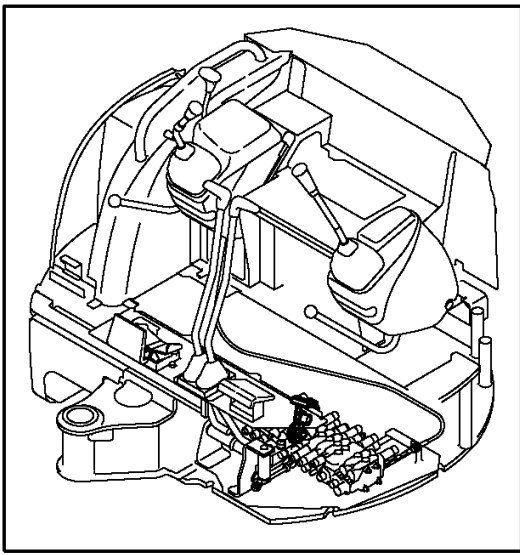
1,1,,172458-45180,, "LINK, SWING (GRAY:72)",1,1,,1,  
2,2,,172141-41370,, "BUSH 2015",2,2,,2,  
4,1,,172458-45200,, "LINK, PEDAL (GRAY:72)",1,1,,1,  
5,2,,172141-41360,, "BUSH 1415",2,2,,2,  
7,1,,172458-45230,, "SHAFT, PEDAL (GRAY:72)",1,1,,1,  
8,1,,1A1040-45890,, "WASHER 10 36 4.5",1,1,,1,  
9,1,,172124-46200,, "O-RING 27X5.7",2,2,,2,  
10,1,,22217-100000,, "SPRING WASHER 10",1,1,,1,  
11,1,,24311-000210,, "O-RING 1A P-21.0",2,2,,2,  
12,1,,24761-020000,, "NIPPLE PT1/8, GREASE",1,1,,1,  
13,1,,24761-040000,, "NIPPLE B, GREASE",1,1,,1,  
14,1,,26013-080162,, "BOLT W/WASHER M8X16",2,2,,2,  
15,1,,26116-080254,, "BOLT M 8X 25 PLATED",2,2,,2,  
16,1,,26116-100202,, "BOLT M10X 20 PLATED",1,1,,1,  
17,1,,26716-080002,, "NUT M 8",2,2,,2,  
18,1,,172458-45520,, "PEDAL, SWING (GRAY:72)",,1,  
18-1,1,,172458-  
45521,, "PEDAL, SWING (GRAY:72)",1,1,,1,,S,,72456123,M/#20502,  
19,1,,172458-45540,, "COVER, PEDAL (GRAY:72)",1,1,,1,  
20,1,,172187-45650,, "SHAFT, PEDAL COVER",,1,  
20-1,1,,172187-45651,, "SHAFT, PEDAL  
COVER",1,1,,1,,R,,72458521,M/#21915,,I  
21,1,,172187-45760,, "COVER PAD",1,1,,1,  
22,1,,172157-45990,, "BOOTS, PEDAL",1,1,,1,  
23,1,,172165-46340,, "BOLT",2,2,,2,  
24,1,,22137-100000,, "WASHER 10, POLISHED",,2,  
24-1,1,,22137-100000,, "WASHER  
10, POLISHED",1,1,,1,,K,,72458521,M/#21915,,I  
25,1,,22417-250200,, "COTTER PIN 2.5X20",,2,  
25-1,1,,22417-250200,, "COTTER PIN  
2.5X20",1,1,,1,,K,,72458521,M/#21915,,I  
26,1,,194200-37780,, "LS-NUT 8",1,1,,1,  
27,1,,172734-41300,, "LINK BALL 8L",1,1,,1,  
28,1,,172456-45160,, "LOD, SWING",1,1,,1,  
29,1,,172823-45940,, "ROD 130 COMP.",1,1,,1,  
30,1,,172122-46590,, "ELBALL 8",2,2,,2,  
31,1,,22117-080000,, "WASHER 8",3,3,,3,  
32,1,,22417-160160,, "COTTER PIN 1.6X16",1,1,,1,  
33,1,,26051-080002,, "NUT M 8",5,5,,5,  
34,1,,933110-54100,, "PIN 4.75X14",1,1,,1,



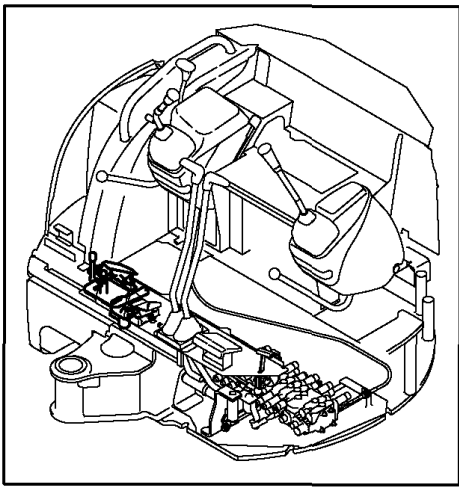


1,1,,172162-12480,, "SPRING,RETURN",1,1,,1,,,,,,,,,,,,,  
2,1,,1A1040-43900,, "SPRING WASHER",1,1,,1,,,,,,,,,,,,,  
3,1,,172458-45900,, "PEDAL (GRAY:72)",1,,,,,,,,,,,,,  
3-1,1,,172472-45900,, "PEDAL,LO-  
HI(GRAY:72)",1,,,,,N,,,,,72458498,M/#21745,,,,,,I  
3-2,1,,172487-45900,, "PEDAL,LO-  
HI(GRAY:72)",1,1,1,,,,,N,,,,,72487124,M/#22138,,,,,,I  
4,1,,172458-45920,, "BRACKET,PEDAL(GRAY72",1,1,1,,,,,,,,,,,,,  
5,2,,172141-41360,, "BUSH 1415",2,2,,2,,,,,,,,,,,,,  
7,1,,172458-45950,, "PAD,PEDAL",1,1,1,,,,,,,,,,,,,  
8,1,,24311-000210,, "O-RING 1A P-21.0",2,2,,2,,,,,,,,,,,,,  
9,1,,26013-080162,, "BOLT W/WASHER M8X16",2,2,,2,,,,,,,,,,,,,  
10,1,,26013-080202,, "BOLT W/WASHER M8X20",1,1,1,,,,,,,,,,,,,

Silverhorn.CO.UK







172456-08700

P.T.O.キットは、  
項目NO. 112を参照下さい。

P.T.O. KIT

is shown in Fig. 112.

172456-08710

P.T.O.キット(ロングアーム仕様)は、  
項目NO. 113を参照下さい。

P.T.O. KIT(LONG ARM SPEC.)

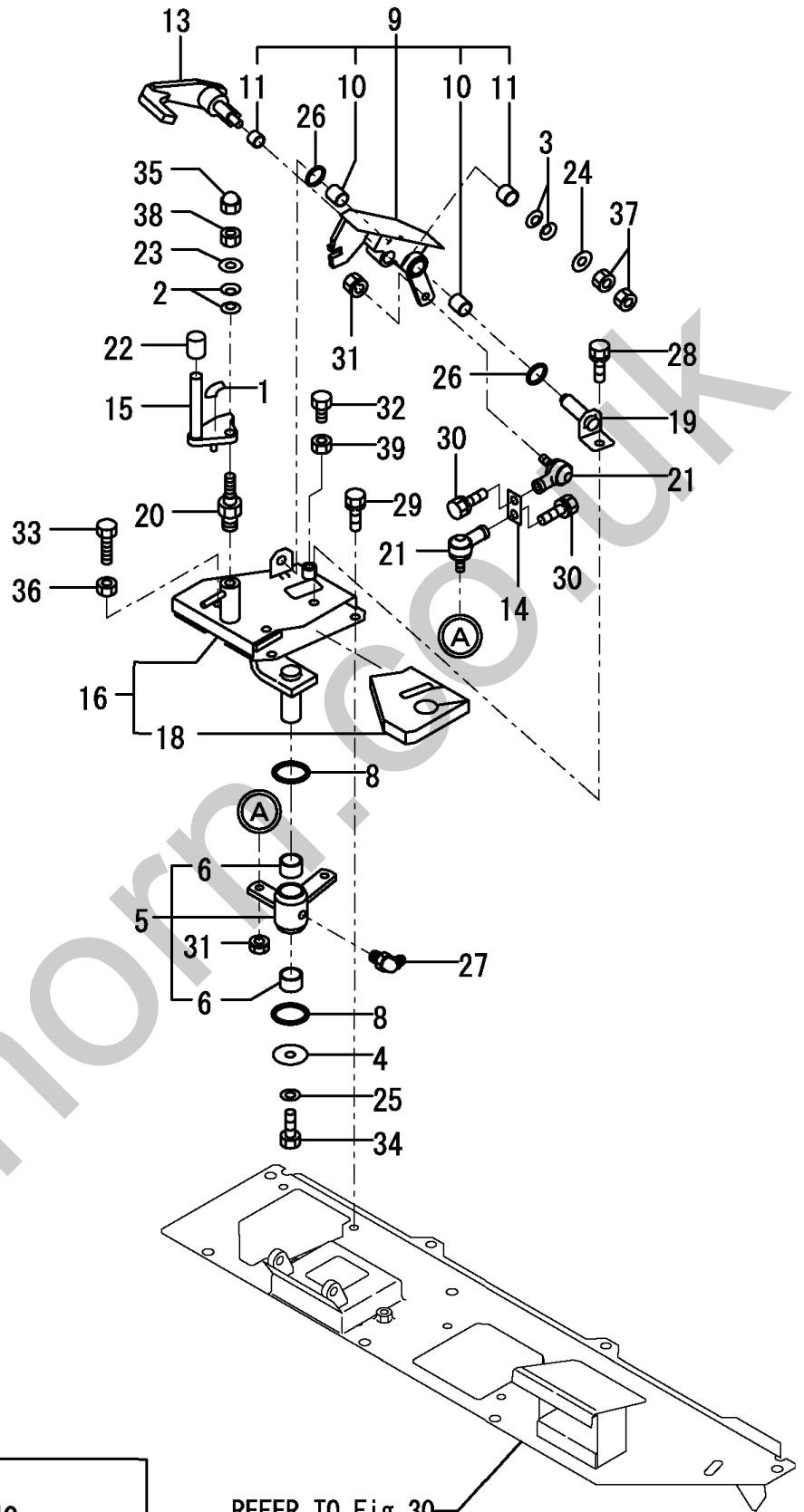
is shown in Fig. 113.

172456-08720

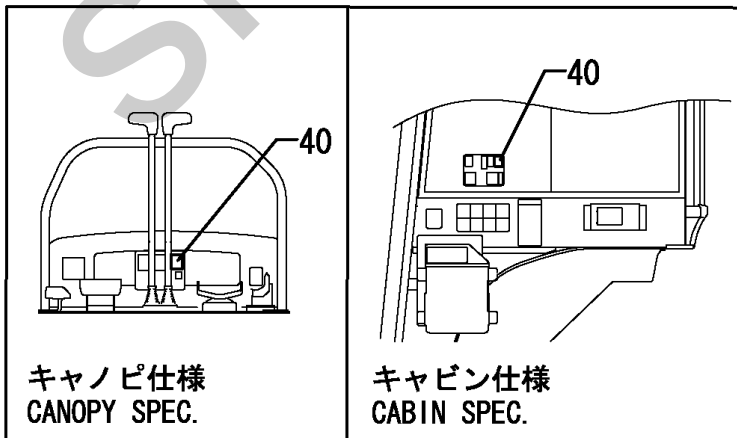
P.T.O.キット(フレームエンド)は、  
項目NO. 114を参照下さい。

P.T.O. KIT(FRAME END)

is shown in Fig. 114.



REFER TO Fig. 30



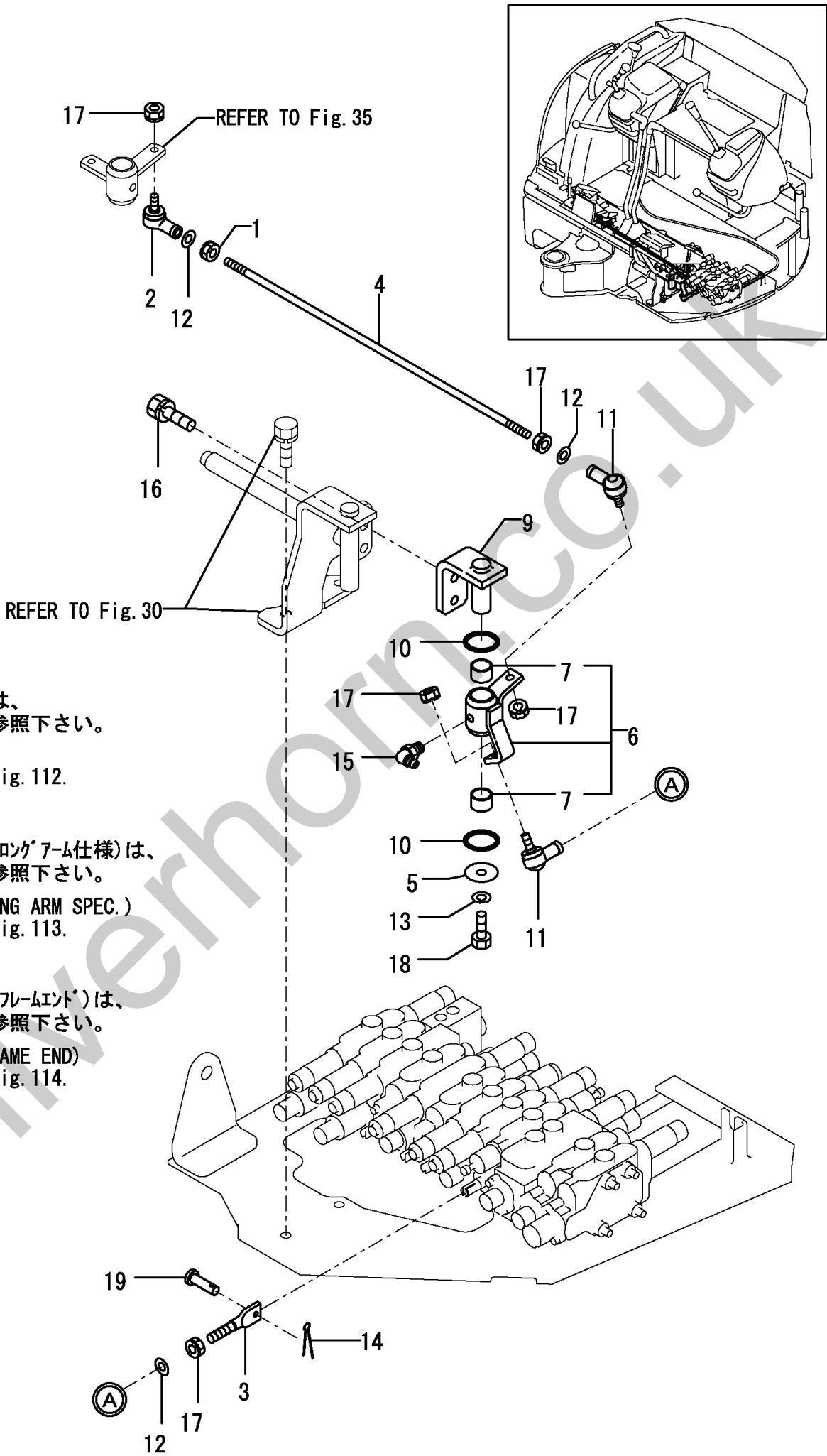
キャノピ仕様  
CANOPY SPEC.

キャビン仕様  
CABIN SPEC.



1,1,,194200-37780,, "LS-NUT 8",1,1,,1,,,,,,,,,,,,,,,,,,,,,  
2,1,,172734-41300,, "LINK BALL 8L",1,1,,1,,,,,,,,,,,,,,,,,,,,,  
3,1,,172823-45000,, "ROD 54, SPOOL",1,1,,1,,,,,,,,,,,,,,,,,,,,,  
4,1,,172456-45170,, "ROD, P.T.O.",1,1,,1,,,,,,,,,,,,,,,,,,,,,  
5,1,,1A1040-45890,, "WASHER 10 36 4.5",1,1,,1,,,,,,,,,,,,,,,,,,,,,  
6,1,,172458-46100,, "LINK A ASSY, P.T.O.",1,1,,1,,,,,,,,,,,,,,,,,,,,,  
7,2,,172141-41370,, "BUSH 2015",2,2,,2,,,,,,,,,,,,,,,,,,,,,  
9,1,,172458-46150,, "BRACKET,P.T.O. (72)",1,1,,1,,,,,,,,,,,,,,,,,,,,,  
10,1,,172124-46200,, "O-RING 27X5.7",2,2,,2,,,,,,,,,,,,,,,,,,,,,  
11,1,,172122-46590,, "ELBALL 8",2,2,,2,,,,,,,,,,,,,,,,,,,,,  
12,1,,22117-080000,, "WASHER 8",3,3,,3,,,,,,,,,,,,,,,,,,,,,  
13,1,,22217-100000,, "SPRING WASHER 10",1,1,,1,,,,,,,,,,,,,,,,,,,,,  
14,1,,22417-160160,, "COTTER PIN 1.6X16",1,1,,1,,,,,,,,,,,,,,,,,,,,,  
15,1,,24761-050000,, "NIPPLE C,GREASE",1,1,,1,,,,,,,,,,,,,,,,,,,,,  
16,1,,26013-100202,, "BOLT W/WASHER M10X20",2,2,,2,,,,,,,,,,,,,,,,,,,,,  
17,1,,26051-080002,, "NUT M 8",5,5,,5,,,,,,,,,,,,,,,,,,,,,  
18,1,,26116-100202,, "BOLT M10X 20 PLATED",1,1,,1,,,,,,,,,,,,,,,,,,,,,  
19,1,,933110-54100,, "PIN 4.75X14",1,1,,1,,,,,,,,,,,,,,,,,,,,,

Silverhorn.CO.UK



172456-08700  
 P.T.O.キットは、  
 項目NO. 112を参照下さい。  
 P.T.O. KIT  
 is shown in Fig. 112.

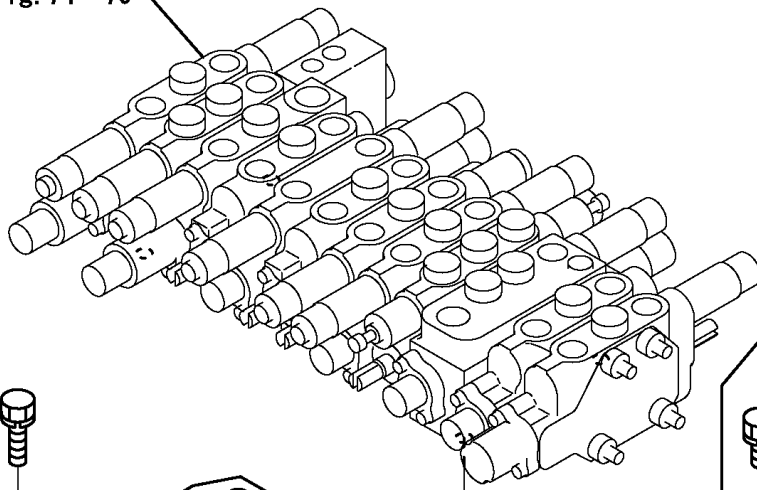
172456-08710  
 P.T.O.キット(ロングアーム仕様)は、  
 項目NO. 113を参照下さい。  
 P.T.O. KIT (LONG ARM SPEC.)  
 is shown in Fig. 113.

172456-08720  
 P.T.O.キット(フレームエンド)は、  
 項目NO. 114を参照下さい。  
 P.T.O. KIT (FRAME END)  
 is shown in Fig. 114.

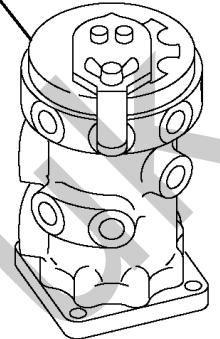
1,1,,172165-45490,,CUSHION,,5,,,,,Z,,,,,72456246,M/#21745,,,,,,I  
2,1,,172458-45600,,,"PLATE ASSY,VALVE",,1,,,,,,  
2-1,1,,172487-  
45600,,,"PLATE,VALVE(GRAY:72)",,1,1,,1,,,F,2,,,72456246,M/#21745,,,,,,I  
3,1,,22252-000280,,,"CIRCLIP 28",,5,,,,,Z,,,,,72456246,M/#21745,,,,,,I  
4,1,,26106-100352,,,"BOLT M10X 35 PLATED",,5,,,,,  
4-1,1,,26013-100402,,,"BOLT M10X 40",,5,5,,5,,,S,,,,,72456246,M/#21745,,,,,,I  
5,1,,172165-45490,,CUSHION,,1,,,,,Z,1,,,72456280,M/#22501,,,,,,I  
6,1,,172456-74200,,,"BRACKET,MULTI",,1,,,,,1,,,,,  
6-1,1,,172487-74200,,,"BRACKET,MULTI",,1,1,,,,,F,3,,,72456280,M/#22501,,,,,,I  
7,1,,22252-000280,,,"CIRCLIP 28",,1,,,,,Z,1,,,72456280,M/#22501,,,,,,I  
8,1,,26013-100202,,,"BOLT W/WASHER M10X20",,3,3,,,,,1,,,,,  
9,1,,26106-100352,,,"BOLT M10X 35 PLATED",,1,,,,,1,,,,,  
9-1,1,,26013-100352,,,"BOLT M10X 35",,1,1,,,,,S,1,,,72456280,M/#22501,,,,,,I

Silverhorn.CO.UK

REFER TO Fig. 74~79

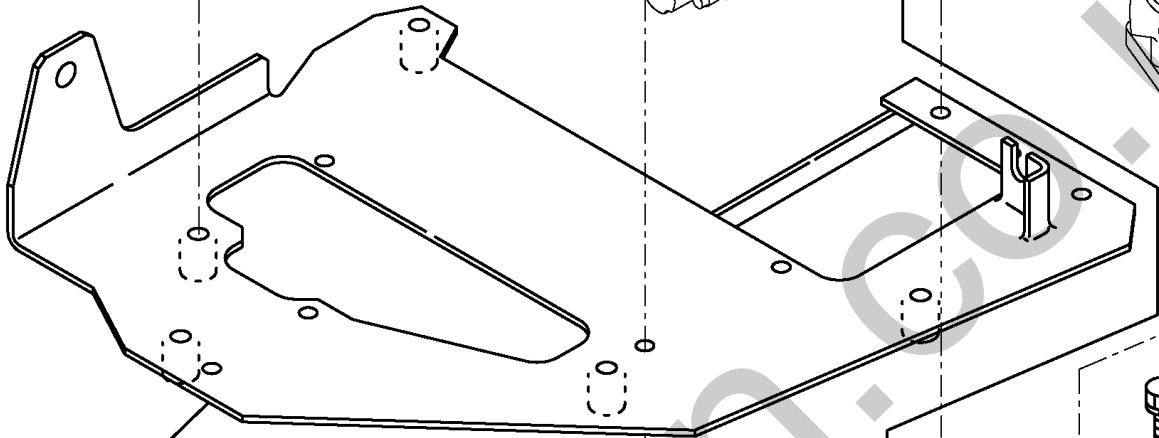


REFER TO Fig. 82



4-1

8

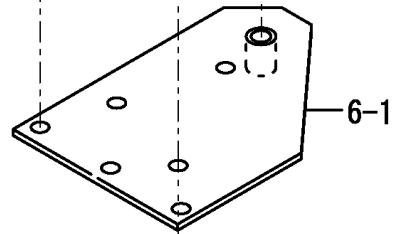


2-1

REFER TO Fig. 74



9-1



6-1



REFER TO Fig. 82

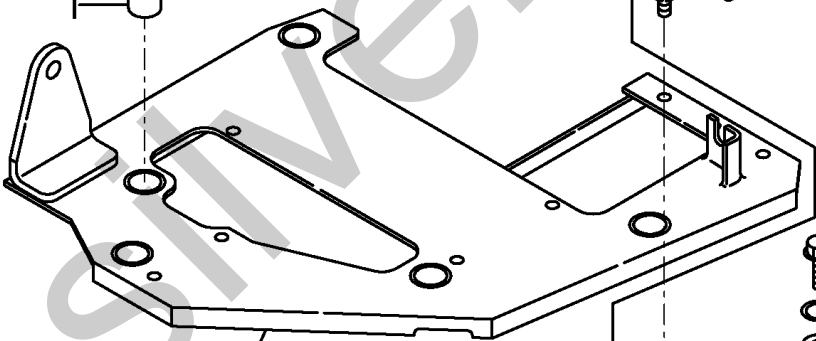
4ウェイ仕様  
4-WAY SPEC.

172456-08510

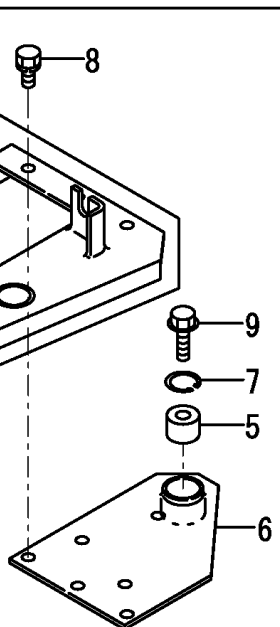
4ウェイマルチバルブキットは、  
項目NO. 110を参照下さい。

4-WAY MULTI VALVE KIT  
is shown in Fig. 110.

4  
3  
1



2

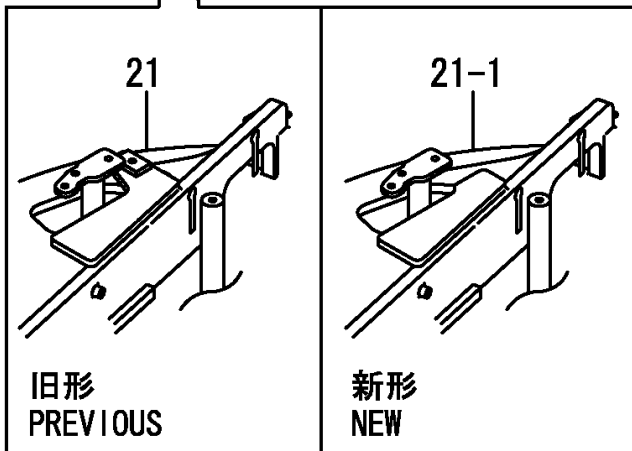
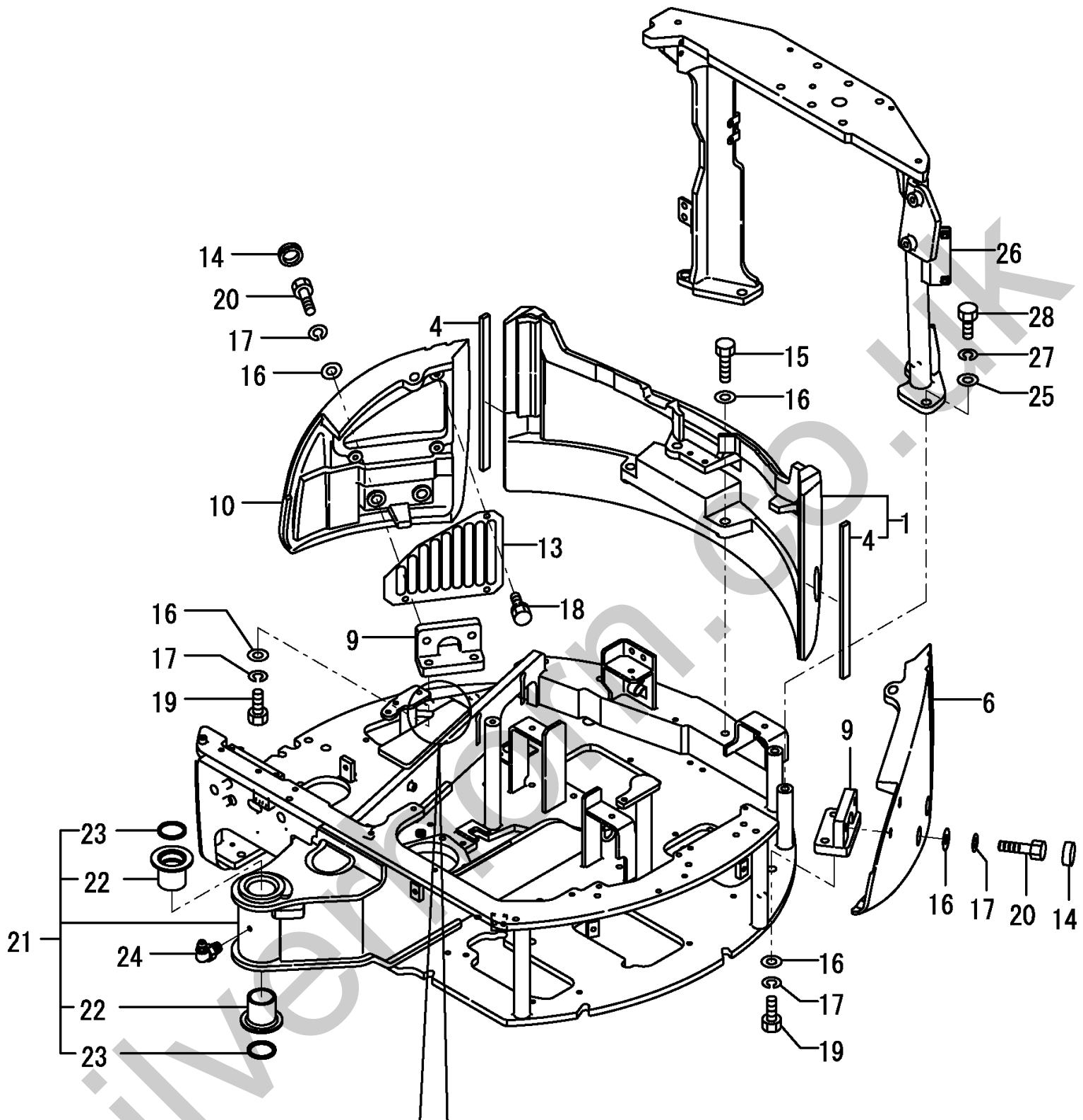


4ウェイ仕様  
4-WAY SPEC.

旧形  
PREVIOUS

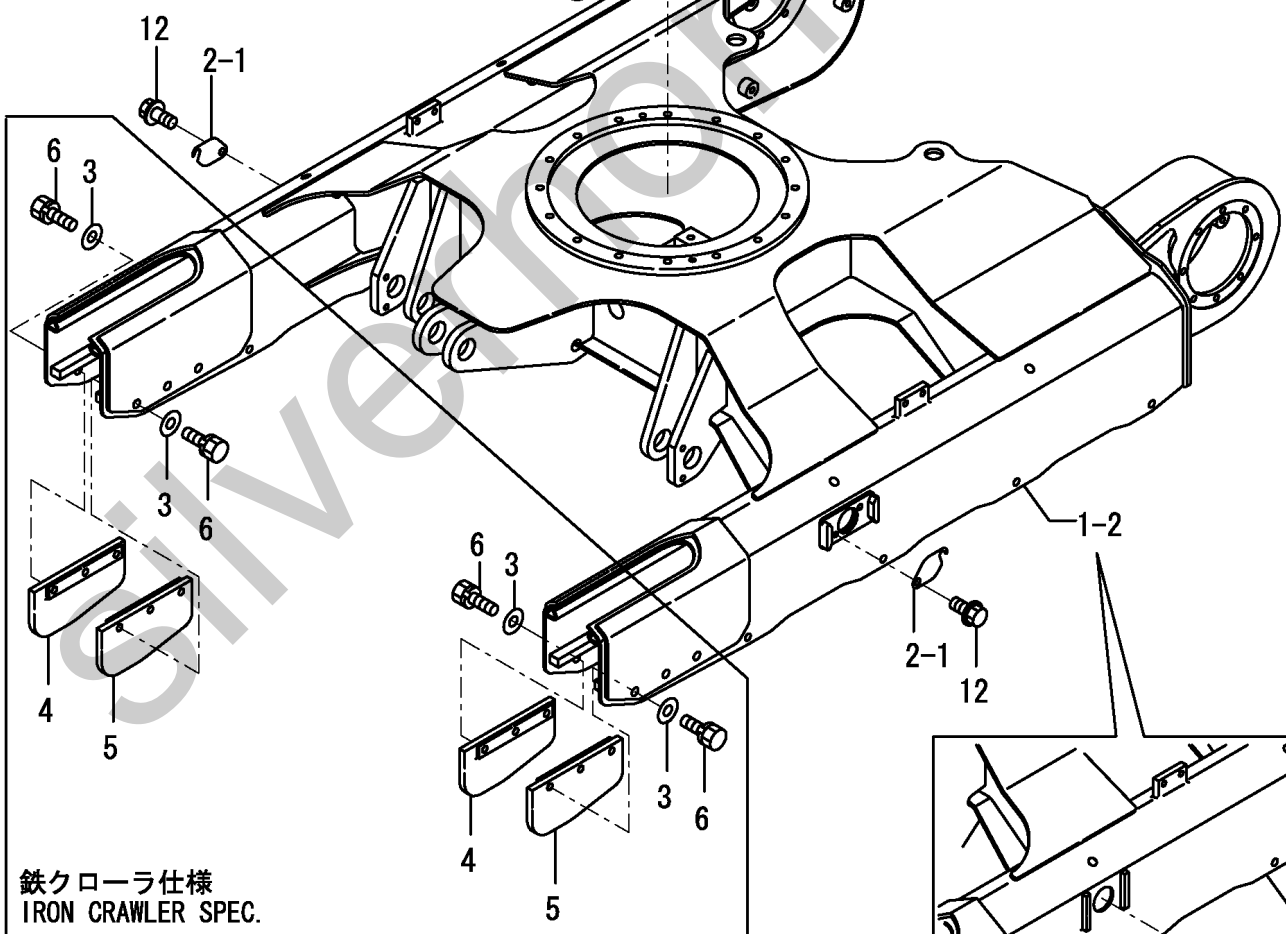
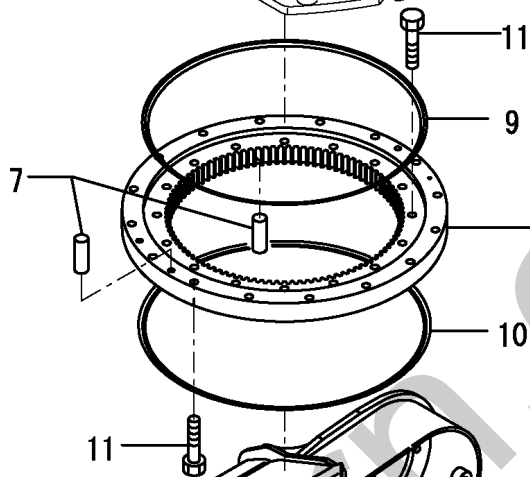
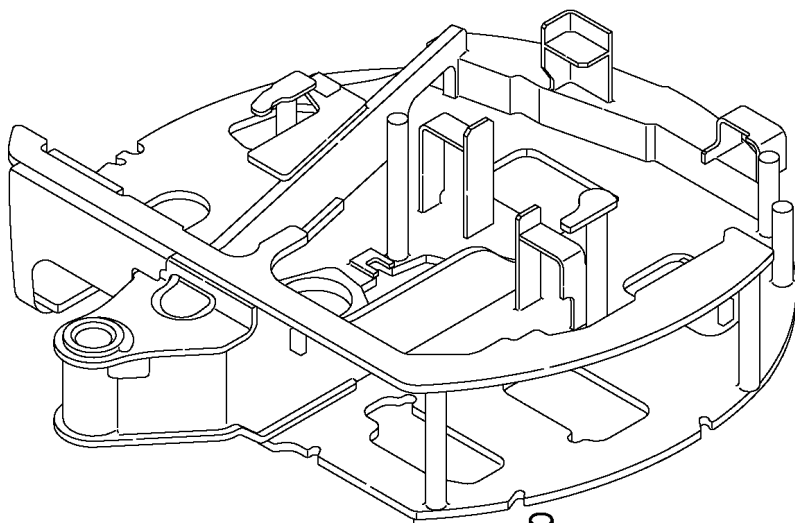
1,1,,172456-53300,, "WEIGHT,COUNTER (88)",1,1,,1,,,,,,,,,,,,,  
4,2,,172458-53370,, "SEAL,COUNTER",2,2,,2,,,W,,,,,72456137,M/#20501,,,,,,  
6,1,,172456-53320,, "WEIGHT L (GREEN:88)",1,1,,1,,,,,,,,,,,,,  
9,1,,172458-53330,, "BRACKET ASSY",2,2,,2,,,,,,,,,,,,,  
10,1,,172456-53340,, "WEIGHT R (GREEN:88)",1,1,,1,,,,,,,,,,,,,  
13,1,,172456-  
53360,, "COVER,WEIGHT(GREEN88)",,1,,,,,Z,,,,,72456231,M/#21637,,,,,,I  
14,1,,172151-53430,, "GROMMET",4,,,,,,,,,,,,,  
14-1,1,,172456-53700,, "GROMMET 30",4,4,,4,,,N,,,,,72456276,M/#22186,,,,,,I  
15,1,,172165-53480,, "BOLT M16X 60",2,2,,2,,,,,,,,,,,,,  
16,1,,172165-53500,, "WASHER,10,10,,10,,,,,,,,,,,,,  
17,1,,22217-160000,, "SPRING WASHER 16",8,8,,8,,,,,,,,,,,,,  
18,1,,26013-100162,, "BOLT M10X 16",,3,,,,,Z,,,,,72456231,M/#21637,,,,,,I  
19,1,,26116-160452,, "BOLT M16X 45 PLATED",4,4,,4,,,,,,,,,,,,,  
20,1,,26116-160602,, "BOLT M16X 60 PLATED",,4,,,,,,,,,,,,,  
20-1,1,,26116-160652,, "BOLT M16X 65  
PLATED",4,4,,4,,,N,,,,,72456175,M/#20501,,,,,,  
21,1,,172456-54100,, "FRAME,TURNING (97)",,1,,,,,,,,,,,,,  
21-1,1,,172456-54101,, "FRAME, TURNING  
(97)",1,1,,1,,,S,,,,,72456223,M/#21703,,,,,,I  
22,2,,172171-54750,, "BUSH 50X65",2,2,,2,,,,,,,,,,,,,  
23,2,,172165-81760,, "SEAL 50X60X4, DUST",,2,,,,,,,,,,,,,  
23-1,2,,172448-54120,, "SEAL  
50X60X4,DUST",2,2,,2,,,R,,,,,72449038,M/#21808,,,,,,I  
24,1,,24761-040000,, "NIPPLE B,GREASE",1,1,,1,,,,,,,,,,,,,  
25,1,,172165-53500,, "WASHER,4,4,,4,,,,,,,,,,,,,  
26,1,,172456-67210,, "MOUNT,CANOPY(GRAY:73",1,1,,1,,,,,,,,,,,,,  
27,1,,22217-160000,, "SPRING WASHER 16",4,4,,4,,,,,,,,,,,,,  
28,1,,26116-160452,, "BOLT M16X 45 PLATED",4,4,,4,,,,,,,,,,,,,



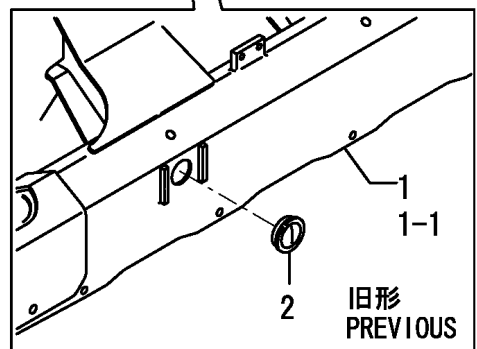


1,1,,172456-50100,, "FRAME,LOWER(GREEN:88" ,1,,,,,,,,,,,,,  
1-1,1,,172456-  
50101,, "FRAME,LOWER(GREEN:88" ,1,,,,,R,,,,,72456215,M/#21637,,,,,,,,,I  
1-2,1,,172456-  
50102,, "FRAME,LOWER(GREEN:88" ,1,1,1,,,F,2,,,72456283,M/#22511,,,,,,,,,I  
2,1,,172141-50890,,GROMMET,,2,,,,,,,,,,,,,  
2-1,1,,172458-  
50480,, "COVER,FRAME(GREEN:88" ,2,2,2,,,S,2,,,72456283,M/#22511,,,,,,,,,I  
3,1,,172730-05250,, "WASHER 12" ,12,12,,12,,,,,1,,,,,,,,,  
4,1,,172456-50800,, "GUARD L,SHOE(GREEN88" ,2,2,2,,,1,,,,,,,,,  
5,1,,172456-50830,, "GUARD R,HHOE(GREEN88" ,2,2,2,,,1,,,,,,,,,  
6,1,,26013-120352,, "BOLT M12X 35" ,12,12,,12,,,,,1,,,,,,,,,  
7,1,,194940-24350,, "PIN 10X28,STRAIGHT" ,3,3,3,,,,,,,,,,,,,  
8,1,,172456-57600,, "BEARING,TURNING" ,1,1,1,,,,,,,,,,,,,  
9,2,,172183-57620,, "SEAL A,TURNING" ,1,1,1,,,,,,,,,,,,,  
10,2,,172183-57630,, "SEAL B,TURNING" ,1,1,1,,,,,,,,,,,,,  
11,1,,172141-57650,, "BOLT M12X 55 PLATED" ,32,32,,32,,,,,,,,,,,,,  
12,1,,26106-100122,, "BOLT M10X 12  
PLATED" ,4,4,,4,,,W,2,,,72456283,M/#22511,,,,,,,,,I





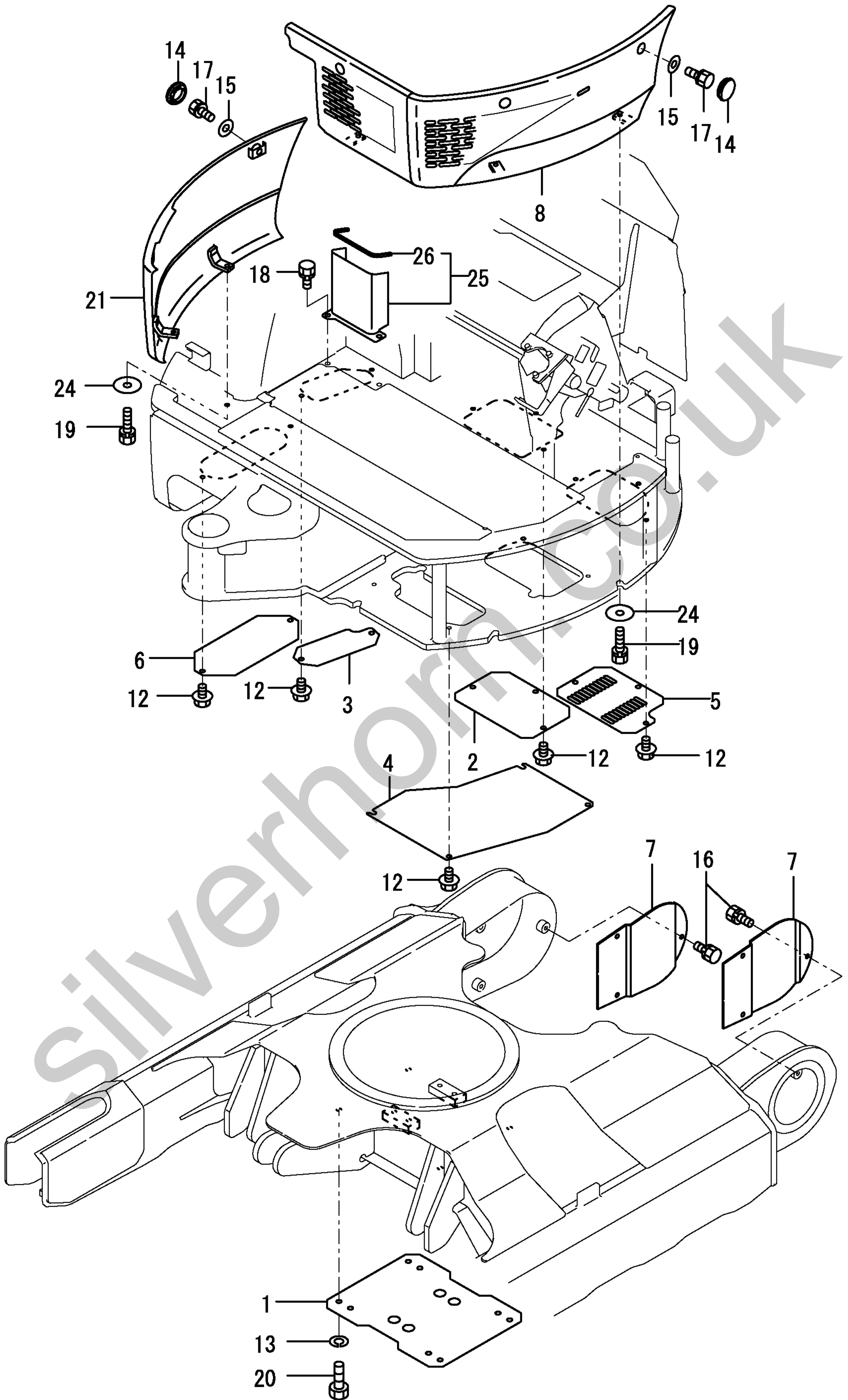
鉄クローラ仕様  
IRON CRAWLER SPEC.



旧形  
PREVIOUS

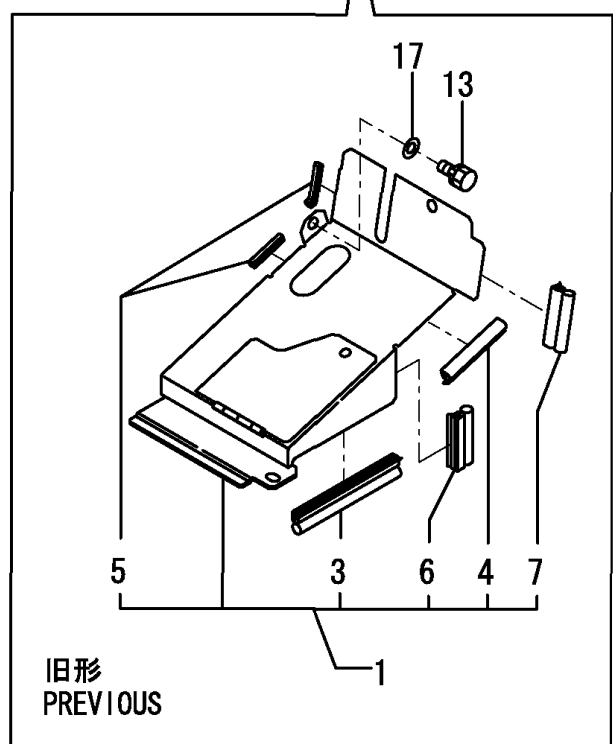
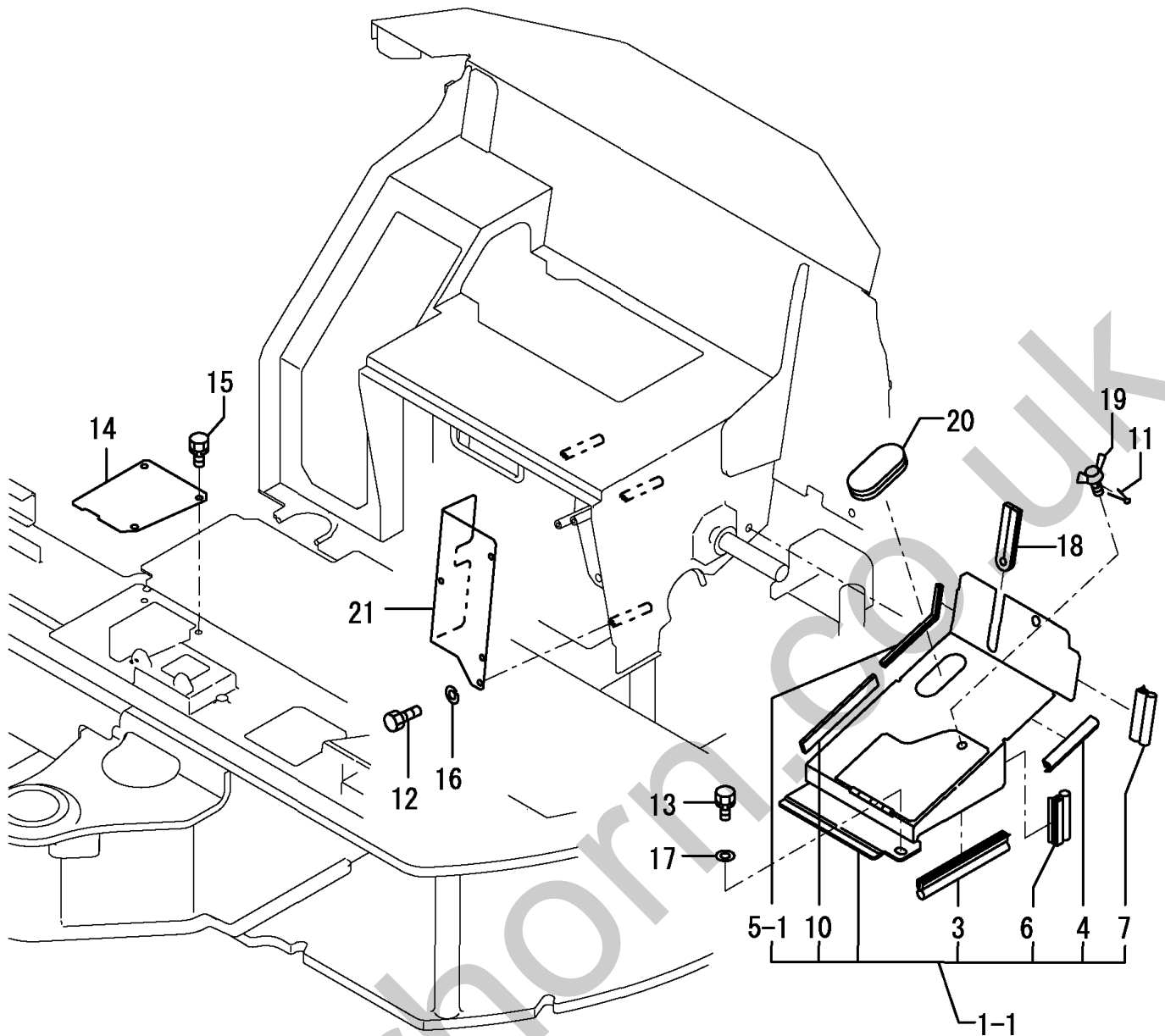






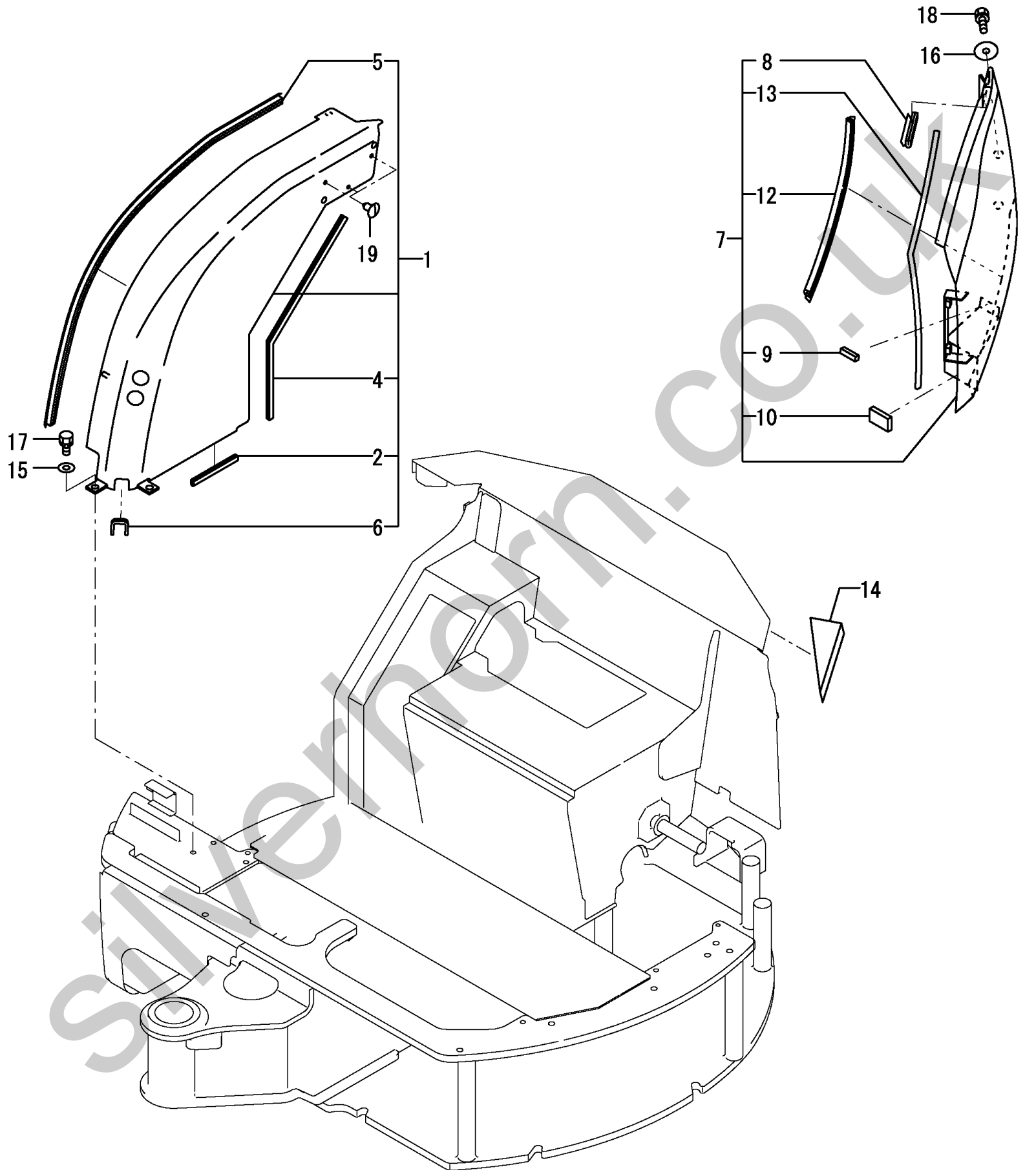
1,1,,172456-61150,, "COVER,MULTI(BLACK:12",,1,,,,,,,,,,,,,  
1-1,1,,172456-61151,, "COVER, MULTI  
(12)",1,1,1,,S,,,,,72456260,M/#21920,,,,,,,,,,,,,I  
3,2,,172164-61250,, "RUBBER, SEAL",1,1,1,,,,,,,,,,,,,  
4,2,,172456-61340,, "RUBBER ,SEAL 105",1,1,1,,,,,,,,,,,,,  
5,2,,172183-61360,, "RUBBER,EDGE",,2,,,,,,,,,,,,,  
5-1,2,,172146-61370,, "RUBBER, SEAL",1,1,1,,S,,,,,72456260,M/#21920,,,,,,,,,,,,,I  
6,2,,172171-65850,, "RUBBER,SEAL K",1,1,1,,,,,,,,,,,,,  
7,2,,172164-66800,, "RUBBER, SEAL 60",1,1,1,,,,,,,,,,,,,  
10,2,,172458-61540,, "SEAL,MULTI COVER  
B",1,1,1,,W,,,,,72456260,M/#21920,,,,,,,,,,,,,I  
11,1,,22417-320200,, "COTTER PIN 3.2X20",1,1,1,,,,,,,,,,,,,  
12,1,,26116-060122,, "BOLT 6X12",3,3,3,,,,,,,,,,,,,  
13,1,,26013-100202,, "BOLT W/WASHER M10X20",,4,,,,,,,,,,,,,  
13-1,1,,26013-100202,, "BOLT W/WASHER  
M10X20",2,2,2,,K,,,,,72456260,M/#21920,,,,,,,,,,,,,I  
14,1,,172458-45500,, "PLATE (BLACK:12)",1,1,1,,,,,,,,,,,,,  
15,1,,26013-080162,, "BOLT W/WASHER M8X16",3,3,3,,,,,,,,,,,,,  
16,1,,22217-060000,, "SPRING WASHER 6",3,3,3,,,,,,,,,,,,,  
17,1,,22137-100000,, "WASHER 10,POLISHED",,3,,,,,,,,,,,,,  
17-1,1,,22137-100000,, "WASHER  
10,POLISHED",2,2,2,,K,,,,,72456260,M/#21920,,,,,,,,,,,,,I  
18,1,,172458-61300,, "GROMMET,MULTI",1,1,1,,,,,,,,,,,,,  
19,1,,172142-62300,, "WING BOLT M10X15",1,1,1,,,,,,,,,,,,,  
20,1,,172146-41320,, GROMMET,1,1,1,,W,,,,,72456156,M/#20580,,,,,,,,,,,,,  
21,1,,172456-64640,, "COVER,ELECTRIC (73)",1,1,1,,,,,,,,,,,,,





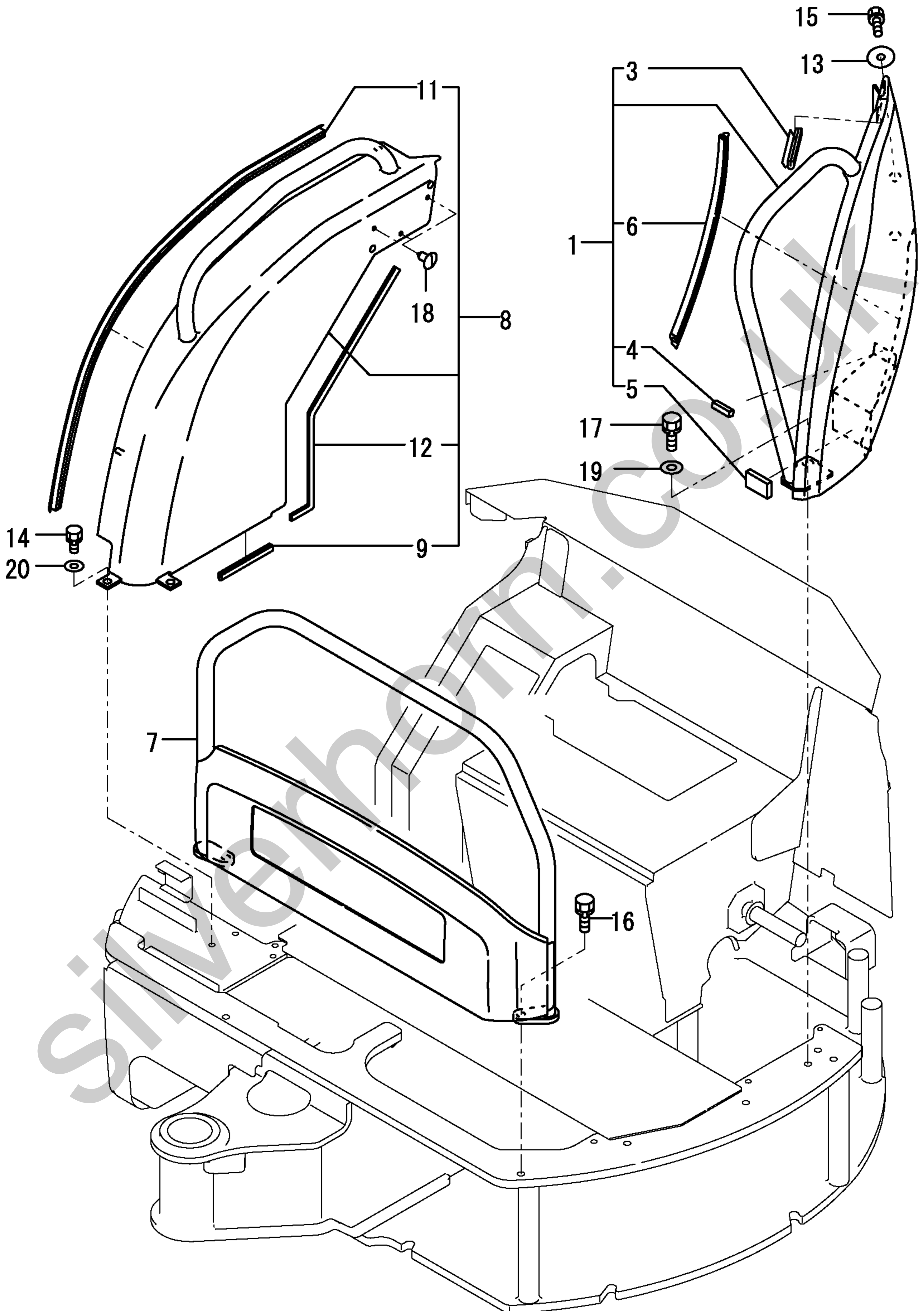
1,1,,172456-61730,, "COVER,SIDE (GRAY:73)",1,,,,,,,,,,,,,,,,,,,,,I  
2,2,,172156-11150,, "SEAL, ENGINE",1,,,,,,,,,,,,,,,,,,,,,I  
4,2,,172458-64140,, "SEAL 560",1,,,,,,,,,,,,,,,,,,,,,I  
5,2,,172165-65460,, "RUBBER, SEAL",1,,,,,,,,,,,,,,,,,,,,,I  
6,2,,172175-65641,, MOLDING,1,,,,,,,,,,,,,,,,,,,,,I  
7,1,,172456-61800,, "BONNET L,CAB(GREEN96",1,,,,,,,,,,,,,,,,,,,,,I  
8,2,,172456-61480,, "RUBBER 95,SEAL",1,,,,,,,,,724560297,,,,,,,,,I  
9,2,,172456-61490,, "SEAL A",1,,,,,,,,,724560297,,,,,,,,,I  
10,2,,172456-61500,, "SEAL B",1,,,,,,,,,724560297,,,,,,,,,I  
12,2,,172183-65560,, "RUBBER 390,SEAL",1,,,,,,,,,724560297,,,,,,,,,I  
13,2,,172164-66630,, "RUBBER, SEAL 530",1,,,,,,,,,,,,,,,,,,,,,I  
14,1,,172460-61960,, "SEAL,CAB-COVER",1,,,,,,,,,,,,,,,,,,,,,I  
15,1,,22137-100000,, "WASHER 10,POLISHED",4,,,,,,,,,,,,,,,,,,,,,I  
16,1,,22157-100000,, "WASHER 10",4,,,,,,,,,,,,,,,,,,,,,I  
17,1,,26013-100202,, "BOLT W/WASHER M10X20",4,,,,,,,,,,,,,,,,,,,,,I  
18,1,,26013-100252,, "BOLT W/WASHER M10X25",4,,,,,,,,,,,,,,,,,,,,,I  
19,1,,172458-64610,, "CLIP 5",3,,,,,,,,,,,,,,,,,,,,,I

Silverhorn.CO.UK



1,1,,172456-61400,, "BONNET L",,1,,1,,,,,,,,,,,,,  
3,2,,172456-61480,, "RUBBER 95,SEAL",,1,,1,,,,,,,,,,,,,  
4,2,,172456-61490,, "SEAL A",,1,,1,,,,,,,,,,,,,  
5,2,,172456-61500,, "SEAL B",,1,,1,,,,,,,,,,,,,  
6,2,,172183-65560,, "RUBBER 390,SEAL",,1,,1,,,,,,,,,,,,,  
7,1,,172458-61600,, "COVER,FRONT(GREEN:96",,1,,1,,1,,,,,,,,,,,,,  
8,1,,172456-61690,, "COVER,SIDE (GRAY:73)",,1,,1,,,,,,,,,,,,,  
9,2,,172156-11150,, "SEAL, ENGINE",,1,,1,,,,,,,,,,,,,  
11,2,,172165-65460,, "RUBBER, SEAL",,1,,1,,,,,,,,,,,,,  
12,2,,172458-64140,, "SEAL 560",,1,,1,,W,,,,,72456108,M/#20501,,,,,,,,,  
13,1,,22157-100000,, "WASHER 10",,2,,2,,,,,,,,,,,,,  
14,1,,26013-100202,, "BOLT W/WASHER M10X20",,5,,,,,,,,,,,,,  
14-1,1,,26013-100202,, "BOLT W/WASHER  
M10X20",,4,,4,,K,,,,,72458520,M/#21858,,,,,,,,,I  
15,1,,26013-100252,, "BOLT W/WASHER M10X25",,2,,2,,,,,,,,,,,,,  
16,1,,26013-120302,, "BOLT W/WASHER M12X30",,2,,2,,1,,,,,,,,,,,,,  
17,1,,26013-120302,, "BOLT W/WASHER M12X30",,1,,1,,,,,,,,,,,,,  
18,1,,172458-64610,, "CLIP 5",,3,,3,,,,,,,,,,,,,  
19,1,,22137-120000,, "WASHER 12,POLISHED",,1,,1,,,,,,,,,,,,,  
20,1,,22137-100000,, "WASHER 10,POLISHED",,5,,,,,W,,,,,72456151,M/#20501,,,,,,,,,  
20-1,1,,22137-100000,, "WASHER  
10,POLISHED",,4,,4,,K,,,,,72458520,M/#21858,,,,,,,,,I

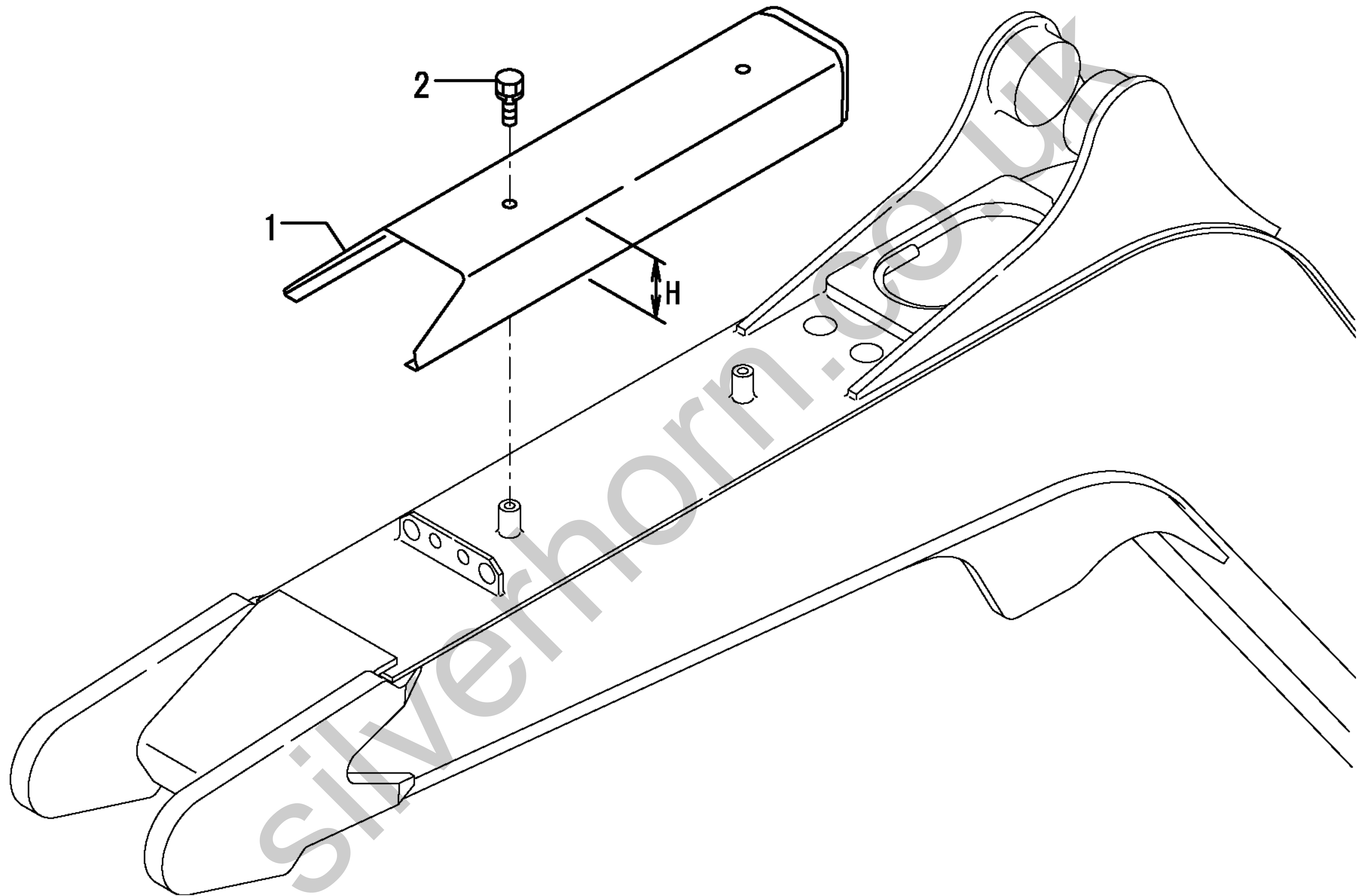






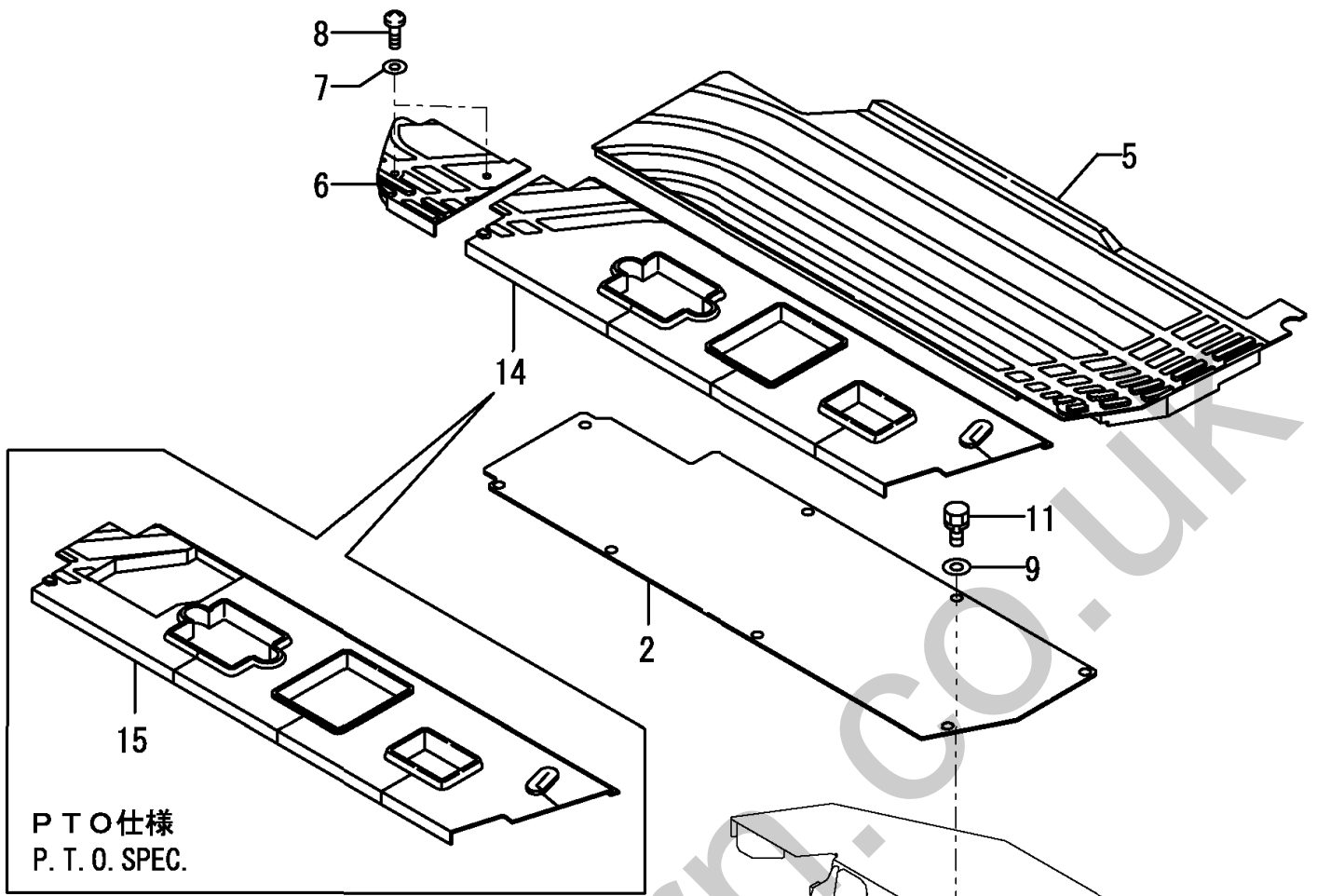
1,1,,172456-61962,, "COVER,BOOM(GREEN:97)" ,,1,,,,,,,,,,,,,  
1-1,1,,172456-61963,, "COVER,  
BOOM(GREEN:97" ,1,1,,1,,,S,1,,,72456281,M/#22501,,,,,,,,,I  
2,1,,26013-080162,, "BOLT W/WASHER M8X16" ,2,2,,2,,,,,,,,,,,,,

Silverhorn.CO.UK

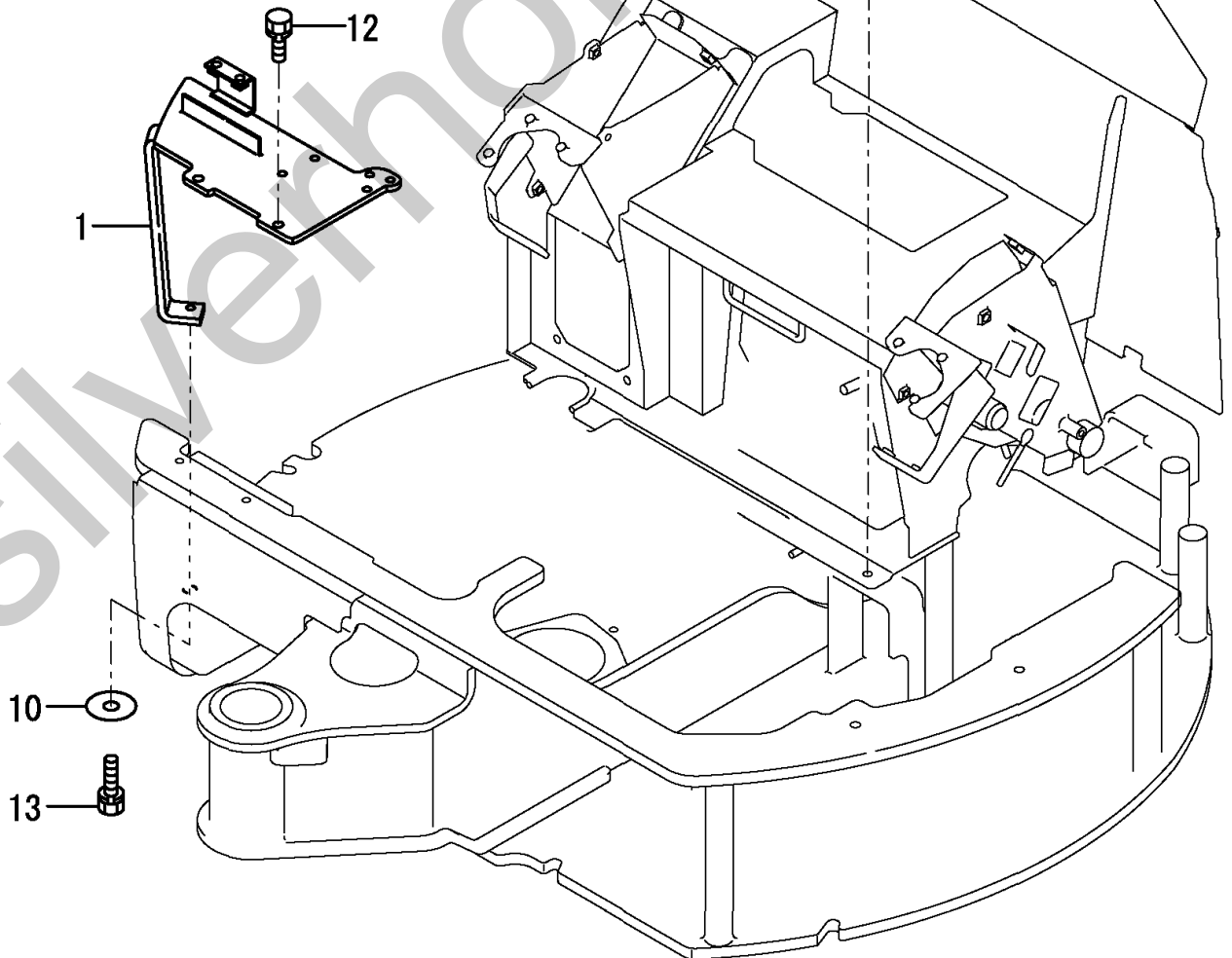


1,1,,172456-62100,, "STEP,FRONT R (97)",1,,,,,,,,,,,,,,,,,,,,,I  
2,1,,172456-62170,,STEP,1,,,,,,,,,,,,,,,,,,,,,,,,,,,,,I  
5,1,,172456-62300,, "MAT, FLOOR",1,,,,,,,,,,,,,,,,,,,,,I  
6,1,,172456-62320,, "FLOORMAT C, CAB",1,,,,,,,,,,,,,,,,,,,,,I  
7,1,,172458-62430,, "WASHER M8",2,,,,,,,,,,,,,,,,,,,,,I  
8,1,,172137-69850,,SCREW,2,,,,,,,,,,,,,,,,,,,,,,,,,,,,,I  
9,1,,22137-100000,, "WASHER 10,POLISHED",8,,,,,,,,,,,,,,,,,,,,,I  
10,1,,22157-100000,, "WASHER 10",1,,,,,,,,,,,,,,,,,,,,,I  
11,1,,26013-100202,, "BOLT W/WASHER M10X20",8,,,,,,,,,,,,,,,,,,,,,I  
12,1,,26013-100252,, "BOLT W/WASHER M10X25",2,,,,,,,,,,,,,,,,,,,,,I  
13,1,,26013-100352,, "BOLT M10X 35",1,,,,,,,,,,,,,,,,,,,,,I  
14,1,,172456-62310,, "MAT, FLOOR",1,,,,,,,,,,,,,,,,,,,,,I  
15,1,,172456-62520,, "MAT, FLOOR B(CAB PTO",1,,,,,,,,,1,,,,,,,,,,,,,I

Silverhorn.CO.UK

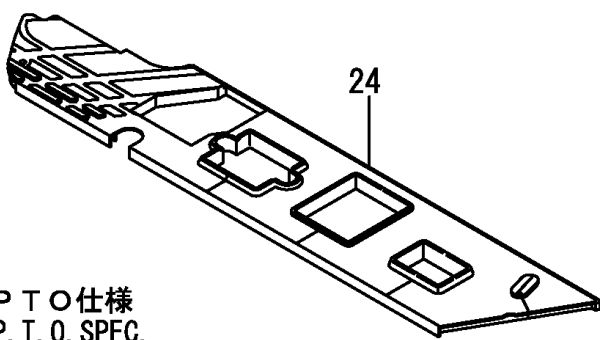
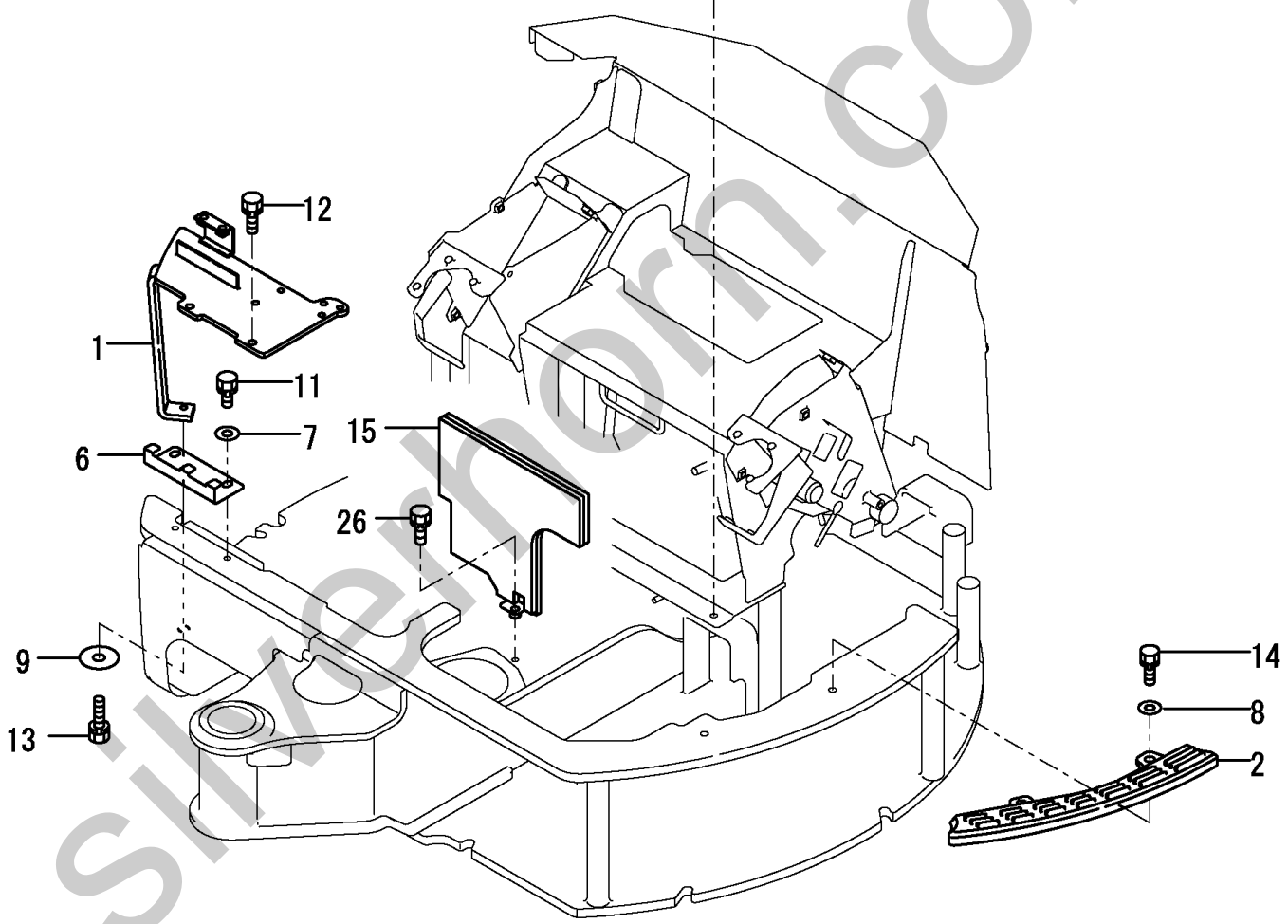
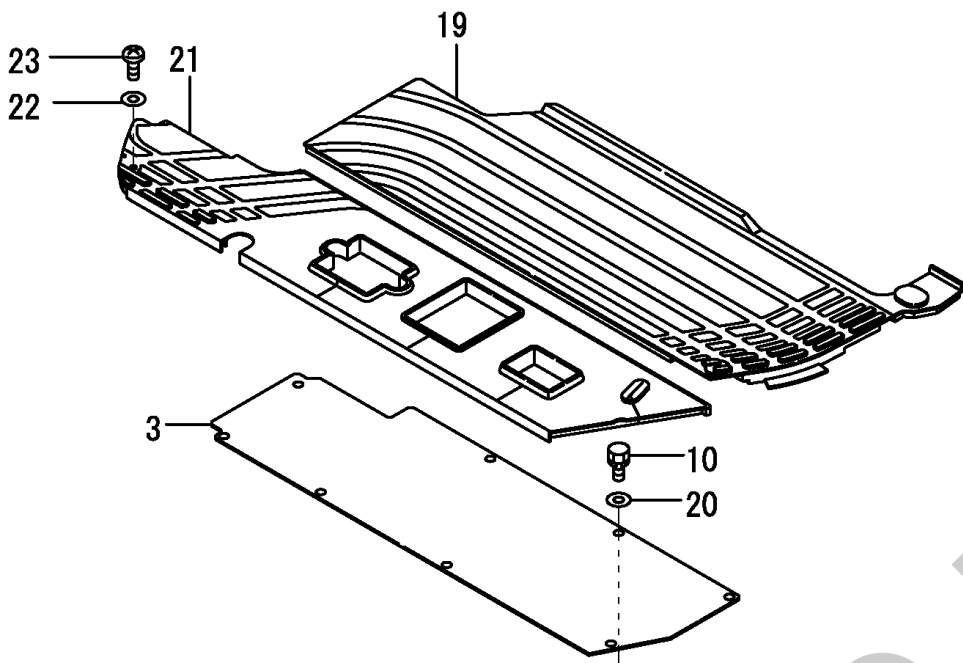


P.T.O仕様  
P.T.O.SPEC.

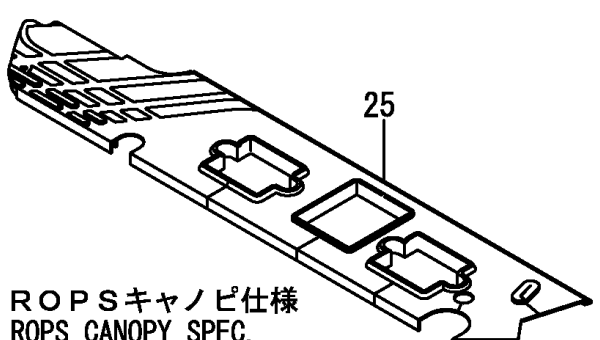


1,1,,172456-62100,, "STEP,FRONT R (97)",,1,,1,,,,,,,,,,,,,  
 2,1,,172458-62110,, "STEP,SIDE L(BLACK:12",,1,,1,,,,,,,,,,,,,  
 3,1,,172456-62170,, STEP,,1,,1,,,,,,,,,,,,,  
 6,1,,172456-62500,, "HOOK,FLOOR MAT (12)",,1,,1,,,,,,,,,,,,,  
 7,1,,22137-100000,, "WASHER 10,POLISHED",,2,,2,,,,,,,,,,,,,  
 8,1,,22137-120000,, "WASHER 12,POLISHED",,2,,2,,,,,,,,,,,,,  
 9,1,,22157-100000,, "WASHER 10",,1,,1,,,,,,,,,,,,,  
 10,1,,26013-100202,, "BOLT W/WASHER M10X20",,8,,8,,,,,,,,,,,,,  
 11,1,,26013-100202,, "BOLT W/WASHER M10X20",,2,,2,,,,,,,,,,,,,  
 12,1,,26013-100252,, "BOLT W/WASHER M10X25",,2,,2,,,,,,,,,,,,,  
 13,1,,26013-100352,, "BOLT M10X 35",,1,,1,,,,,,,,,,,,,  
 14,1,,26013-120302,, "BOLT W/WASHER M12X30",,2,,2,,,,,,,,,,,,,  
 15,1,,172456-62800,, PLATE,,1,,,,,Z,,,,72456245,M/#21745,,,,,,I  
 19,1,,172456-62200,, "MAT A",,1,,1,,,,,,,,,,,,,  
 20,1,,22137-100000,, "WASHER 10,POLISHED",,8,,8,,W,,,,72458304,M/#20580,,,,,,  
 21,1,,172456-62210,, "MAT, FLOOR (B",,1,,1,,,,,,,,,,,,,  
 22,1,,172458-62430,, "WASHER M8",,1,,1,,,,,,,,,,,,,  
 23,1,,172137-69850,, SCREW,,1,,1,,,,,,,,,,,,,  
 24,1,,172456-62510,, "MAT, FLOOR B P.T.O.",,1,,1,,1,,,,,,,,,,,,,  
 25,1,,172456-62230,, "MAT, FLOOR",,1,,,,,2,,,,,,,,,,,,,  
 26,1,,26013-100252,, "BOLT W/WASHER  
 M10X25",,1,,,,,Z,,,,72456245,M/#21745,,,,,,I





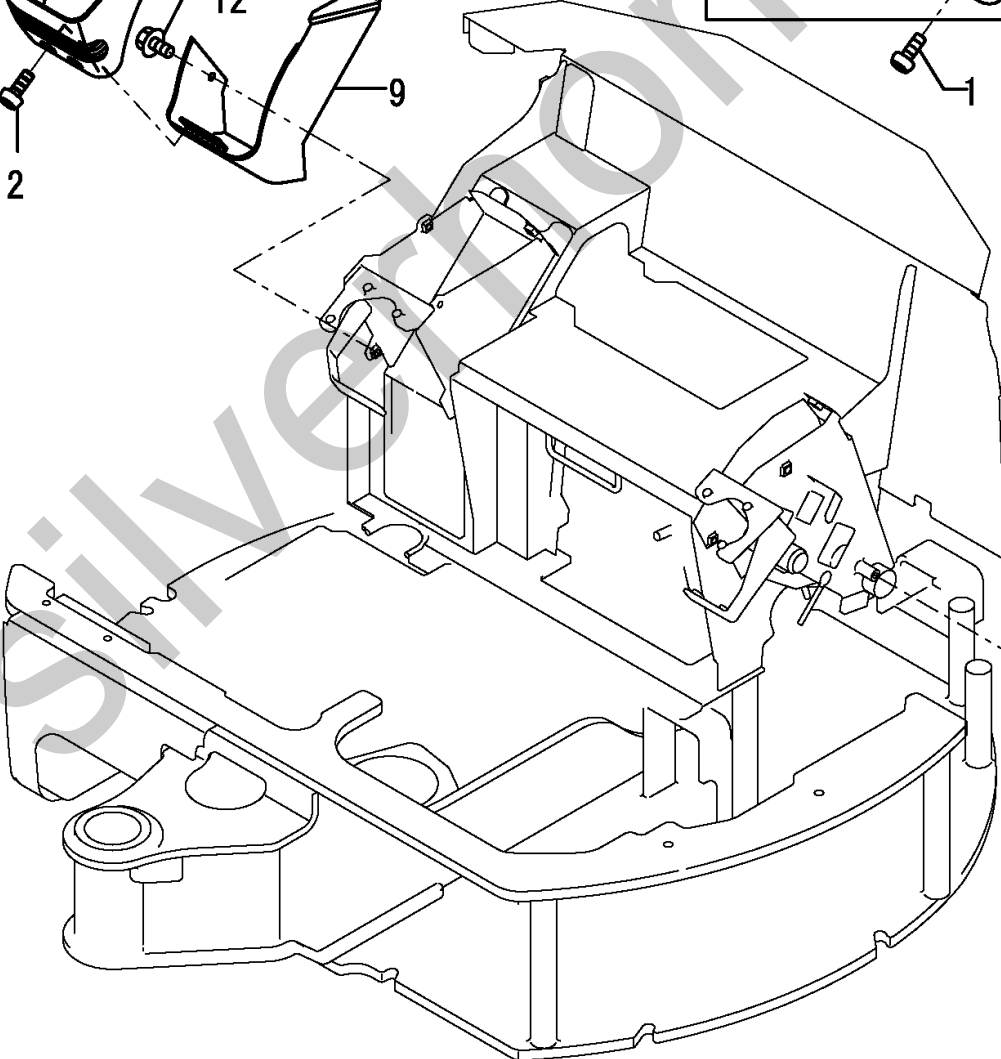
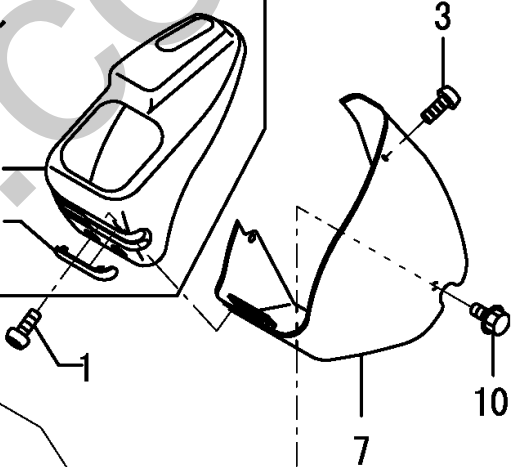
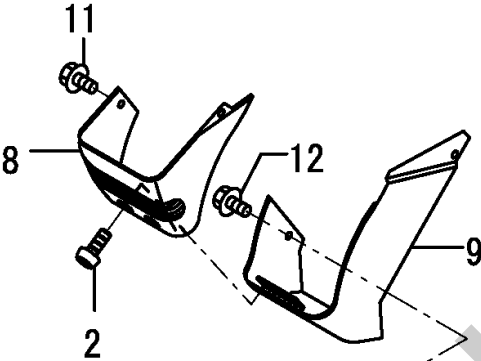
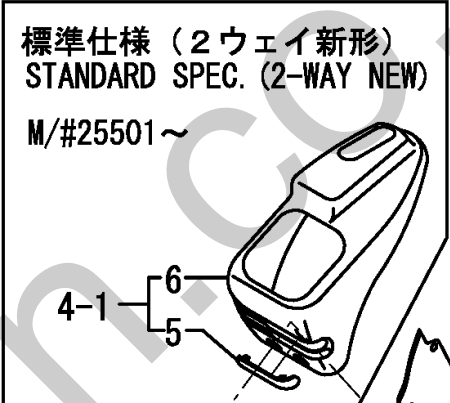
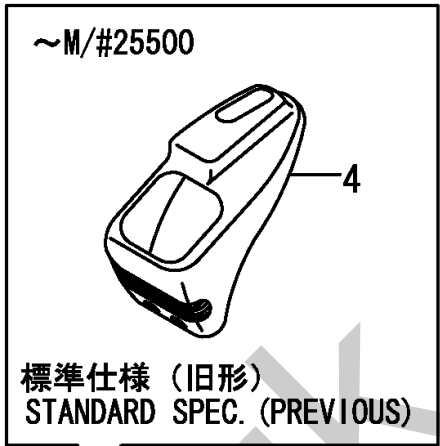
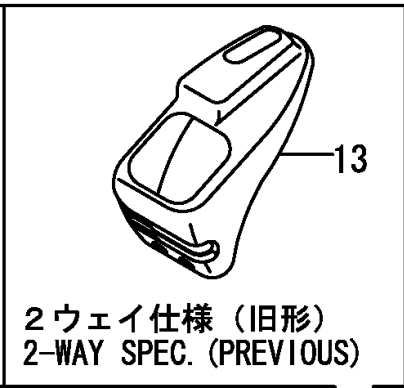
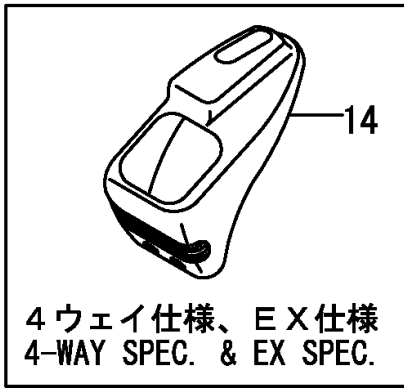
P.T.O仕様  
P. T. O. SPEC.



ROPSキャノピ仕様  
ROPS CANOPY SPEC.

1,1,,172458-46720,, "BOLT 8X20",3,3,,3,,,,,,,,,,,,,,,,,,,,,  
2,1,,172458-46720,, "BOLT 8X20",2,2,,2,,,,,,,,,,,,,,,,,,,,,  
3,1,,172458-46720,, "BOLT 8X20",1,1,,1,,,,,,,,,,,,,,,,,,,,,  
4,1,,172458-63100,, "INSTRUMENT PANEL L",,1,,,,,,,,,,,,,,,,,,,,,  
4-1,1,,172490-61920,, "INSTRUMENT PANEL  
ASY",,1,1,,,,,S,1,,,724900021,M/#25501,,,,,,,,,,,,,I  
5,2,,172490-61950,, COVER(2WAY,1,1,,,,,W,,,,,724900021,M/#25501,,,,,,,,,,,,,I  
6,2,,172458-63110,, "INSTRUMENT PANEL  
L,2",,1,1,,,,,W,,,,,724900021,M/#25501,,,,,,,,,,,,,I  
7,1,,172458-63120,, "INSTRUMENT PANEL L",,1,1,,1,,,,,,,,,,,,,,,,,,,,,  
8,1,,172458-63130,, "INSTRUMENT PANEL R",,1,1,,1,,,,,,,,,,,,,,,,,,,,,  
9,1,,172458-63140,, "INSTRUMENT PANEL R",,1,1,,1,,,,,,,,,,,,,,,,,,,,,  
10,1,,172519-63240,, "BOLT 8X 16",2,2,,2,,,,,,,,,,,,,,,,,,,,,  
11,1,,172519-63240,, "BOLT 8X 16",1,1,,1,,,,,,,,,,,,,,,,,,,,,  
12,1,,172519-63240,, "BOLT 8X 16",2,2,,2,,,,,,,,,,,,,,,,,,,,,  
13,1,,172458-63110,, "INSTRUMENT PANEL L,2",,1,,,,,2,,,,,,,,,,,,,I  
14,1,,172458-63100,, "INSTRUMENT PANEL L",,1,1,,1,,,,,3,,,,,,,,,,,,,I

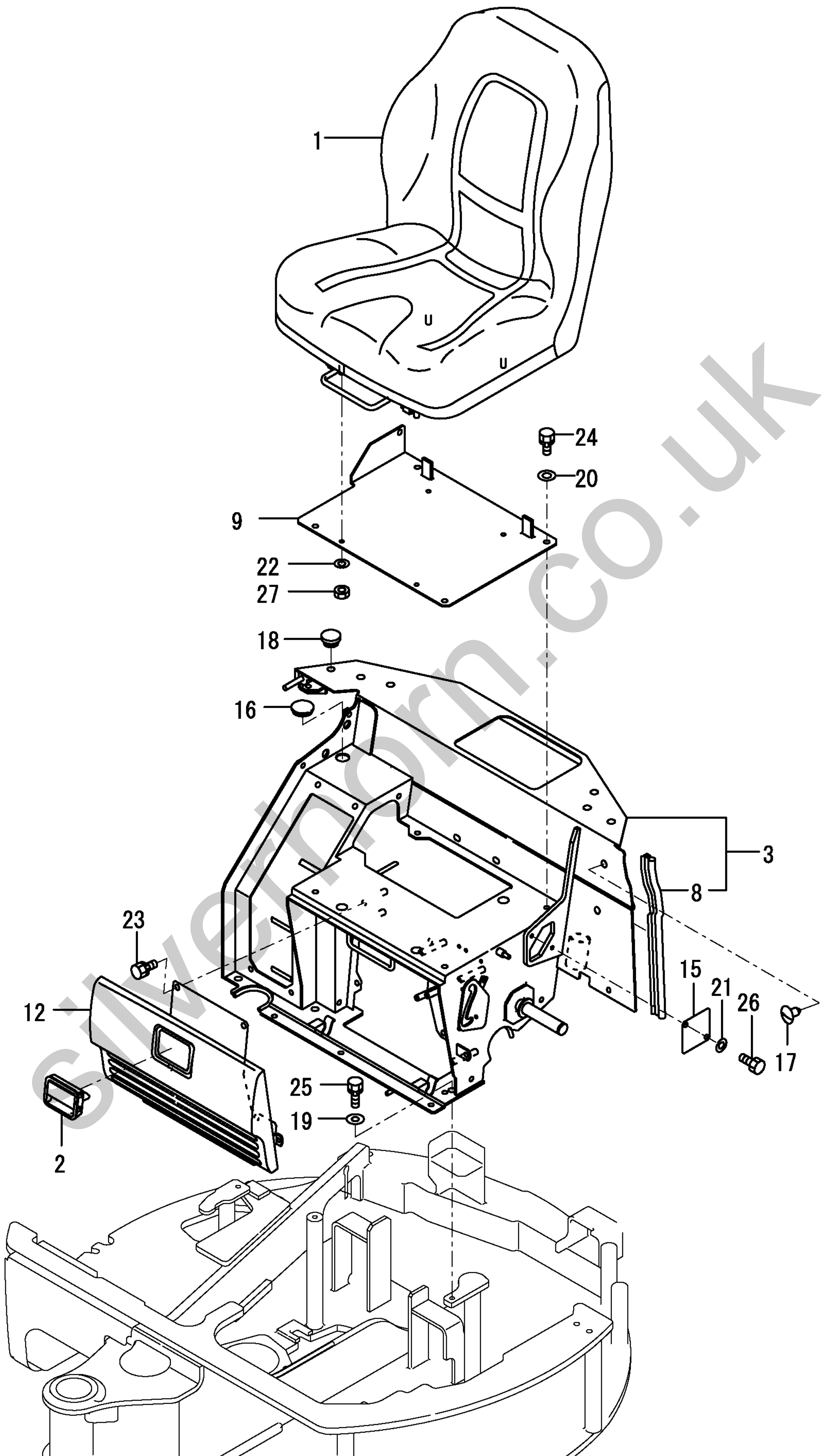
Silverhorn.CO.UK



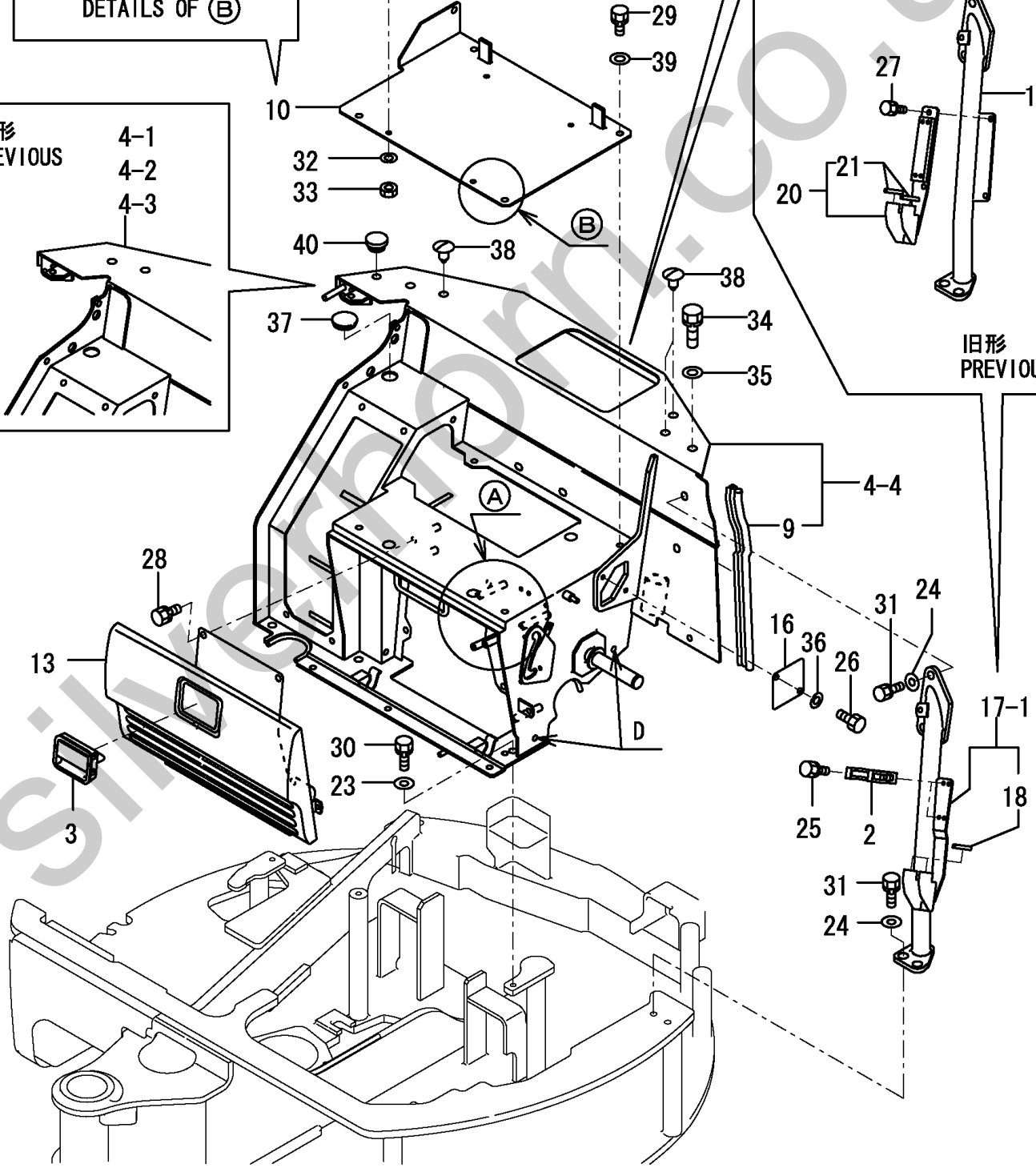
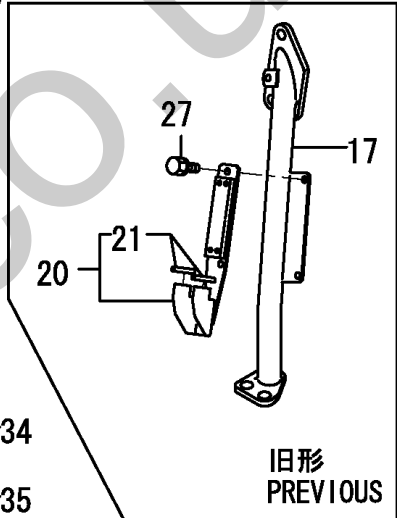
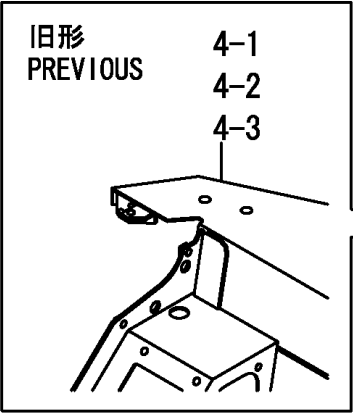
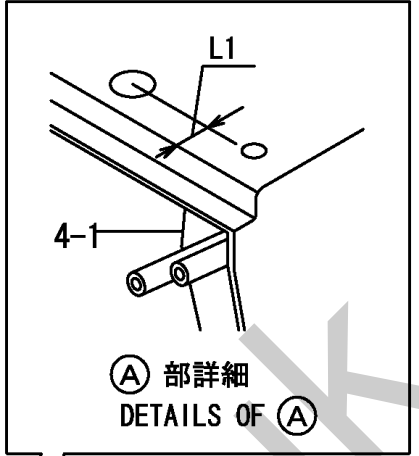
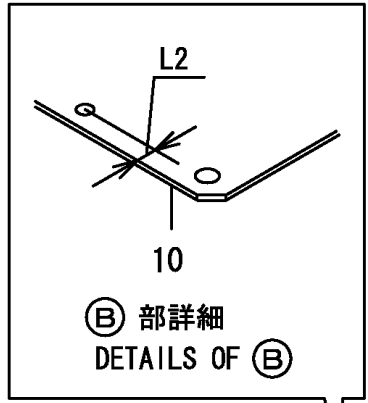
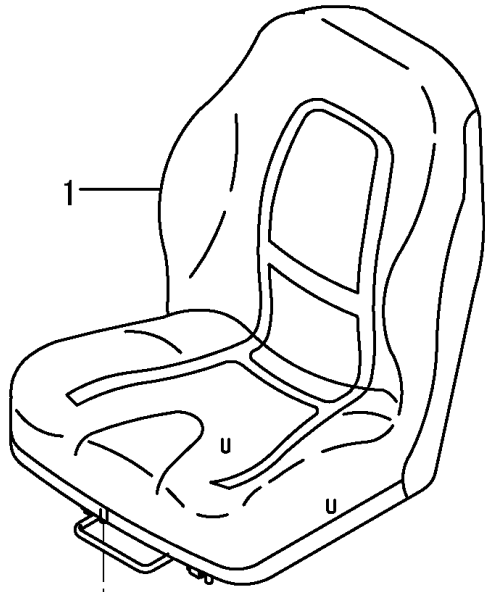


1,1,,172455-64200,, "SEAT, OPERATOR",1,,,,,,,,,,,,,I  
2,1,,172187-61421,, "HANDLE, LOCK",1,,,,,,,,,,,,,I  
3,1,,772456-64214,, "MOUNT,SEAT (GRAY:73)",1,,,,,,,,,,,,,I  
8,2,,172164-66480,, "RUBBER 340, SEAL",1,,,,,,,,,,,,,I  
9,1,,172456-64431,, "PLATE,SEAT (GRAY:73)",1,,,,,,,,,,,,,I  
12,1,,172456-64440,, "GRILLE (GRAY:73)",1,,,,,,,,,,,,,I  
15,1,,172458-64510,, "COVER,SEAT MOUNT(73)",1,,,,,,,,,,,,,I  
16,1,,172458-64590,, "PLUG 28X3.2",1,,,,,,,,,,,,,I  
17,1,,172458-64600,, "CLIP 11",2,,,,,,,,,,,,,I  
18,1,,172187-64900,, "PLUG",1,,,,,,,,,,,,,I  
19,1,,22137-100000,, "WASHER 10,POLISHED",3,,,,,,,,,,,,,I  
20,1,,22137-100000,, "WASHER 10,POLISHED",5,,,,,,,,,,,,,I  
21,1,,22217-080000,, "SPRING WASHER 8",2,,,,,,,,,,,,,I  
22,1,,22217-080000,, "SPRING WASHER 8",4,,,,,,,,,,,,,I  
23,1,,26013-100202,, "BOLT W/WASHER M10X20",4,,,,,,,,,,,,,I  
24,1,,26013-100202,, "BOLT W/WASHER M10X20",5,,,,,,,,,,,,,I  
25,1,,26013-100252,, "BOLT W/WASHER M10X25",3,,,,,,,,,,,,,I  
26,1,,26116-080162,, "BOLT 8X16",2,,,,,,,,,,,,,I  
27,1,,26716-080002,, "NUT M 8",4,,,,,,,,,,,,,I

Silverhorn.CO.UK

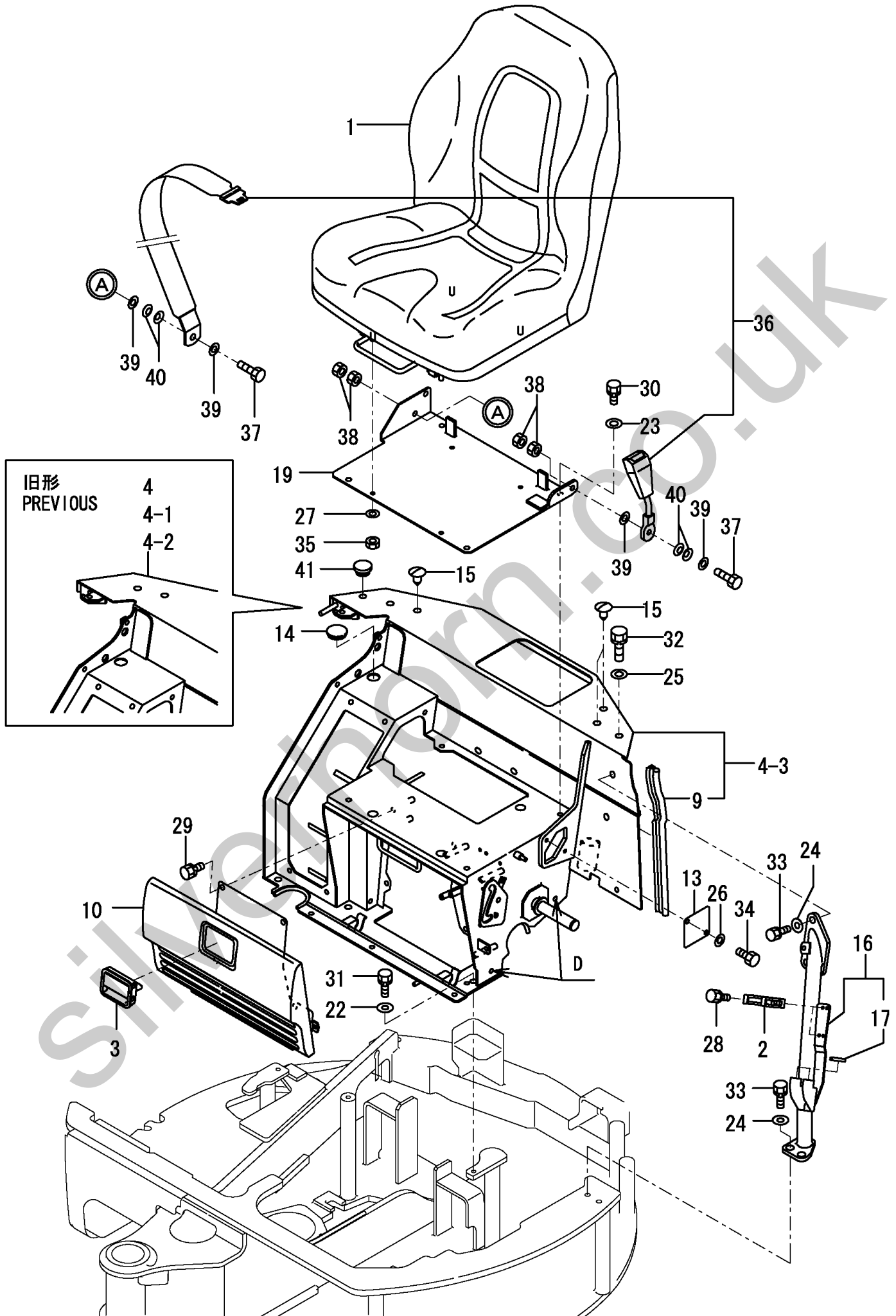


1,1,,172455-64200,, "SEAT, OPERATOR",,1,,1,,,,,,,,,,,,,  
2,1,,172122-55061,, "BRACKET, GREASE PUMP",,2,,2,,,,,,,,,,,,,  
3,1,,172187-61421,, "HANDLE, LOCK",,1,,1,,,,,,,,,,,,,  
4,1,,772456-64210,, "MOUNT,SEAT (GRAY:73)",,1,,,,,M,,,,,,,,,,,,,  
4-1,1,,772456-64211,, "MOUNT,SEAT (GRAY:73)",,1,,,,,1,,,,,,,,,,,,,  
4-2,1,,772456-64212,, "MOUNT,SEAT  
(GRAY,73)",,1,,,,,S,1,,,72456178,M/#20862,,,,,,I  
4-3,1,,772456-64213,, "MOUNT,SEAT  
(GRAY:73)",,1,,,,,S,3,,,72456260,M/#21920,,,,,,I  
4-4,1,,772456-64214,, "MOUNT,SEAT  
(GRAY:73)",,1,,1,,,S,3,,,724560289,M/#22514,,,,,,I  
9,2,,172456-64760,, "RUBBER 340,SEAL",,1,,,,,,,,,,,,,  
9-1,2,,172164-66480,, "RUBBER 340, SEAL",,1,,1,,N,,,,72456133,M/#20501,,,,,,  
10,1,,172456-64430,, "PLATE,SEAT (GRAY:73)",,1,,,,,2,,,,,,,,,,,,,  
10-1,1,,172456-64431,, "PLATE,SEAT  
(GRAY:73)",,1,,1,,,S,2,,,72456178,M/#20862,,,,,,  
13,1,,172456-64440,, "GRILLE (GRAY:73)",,1,,1,,,,,,,,,,,,,  
16,1,,172458-64510,, "COVER,SEAT MOUNT(73)",,1,,1,,,,,,,,,,,,,  
17,1,,172456-64550,, "PIPE",,1,,,,,,,,,,,,,  
17-1,1,,172456-64800,, "PIPE ASSY  
(GRAY:73)",,1,,1,,,N,,,,72456125,M/#20508,,,,,,  
18,2,,172445-62010,, "RUBBER 45, EDGE",,2,,2,,W,,,,72456125,M/#20508,,,,,,  
20,1,,172456-64650,, "HOLDER,GREASE GUN",,1,,,,,Z,,,,72456125,M/#20508,,,,,,  
21,2,,172445-62010,, "RUBBER 45, EDGE",,2,,,,,Z,,,,72456125,M/#20508,,,,,,  
23,1,,22137-100000,, "WASHER 10,POLISHED",,3,,3,,,,,,,,,,,,,  
24,1,,22137-120000,, "WASHER 12,POLISHED",,4,,4,,,,,,,,,,,,,  
25,1,,26013-060102,, "BOLT M 6X 10",,4,,4,,,,,,,,,,,,,  
26,1,,26116-080162,, "BOLT 8X16",,2,,2,,,,,,,,,,,,,  
27,1,,26013-080162,, "BOLT W/WASHER M8X16",,2,,,,,Z,,,,72456125,M/#20508,,,,,,  
28,1,,26013-100202,, "BOLT W/WASHER M10X20",,4,,4,,,,,,,,,,,,,  
29,1,,26013-100202,, "BOLT W/WASHER M10X20",,5,,5,,,,,,,,,,,,,  
30,1,,26013-100252,, "BOLT W/WASHER M10X25",,3,,3,,,,,,,,,,,,,  
31,1,,26013-120302,, "BOLT W/WASHER M12X30",,4,,4,,,,,,,,,,,,,  
32,1,,22217-080000,, "SPRING WASHER 8",,4,,4,,,,,,,,,,,,,  
33,1,,26716-080002,, "NUT M 8",,4,,4,,,,,,,,,,,,,  
34,1,,26013-120252,, "BOLT M12X 25",,2,,2,,,,,,,,,,,,,  
35,1,,22137-120000,, "WASHER 12,POLISHED",,2,,2,,,,,,,,,,,,,  
36,1,,22217-080000,, "SPRING WASHER 8",,2,,2,,,,,,,,,,,,,  
37,1,,172458-64590,, "PLUG 28X3.2",,1,,1,,,,,,,,,,,,,  
38,1,,172458-64600,, "CLIP 11",,1,,,,,,,,,,,,,  
38-1,1,,172458-64600,, "CLIP 11",,3,,3,,K,,,,72456190,M/#21218,,,,,,I  
39,1,,22137-100000,, "WASHER 10,POLISHED",,5,,5,,W,,,,72456178,M/#20862,,,,,,  
40,1,,172187-64900,, "PLUG",,1,,1,,W,,,,724560289,M/#22514,,,,,,I



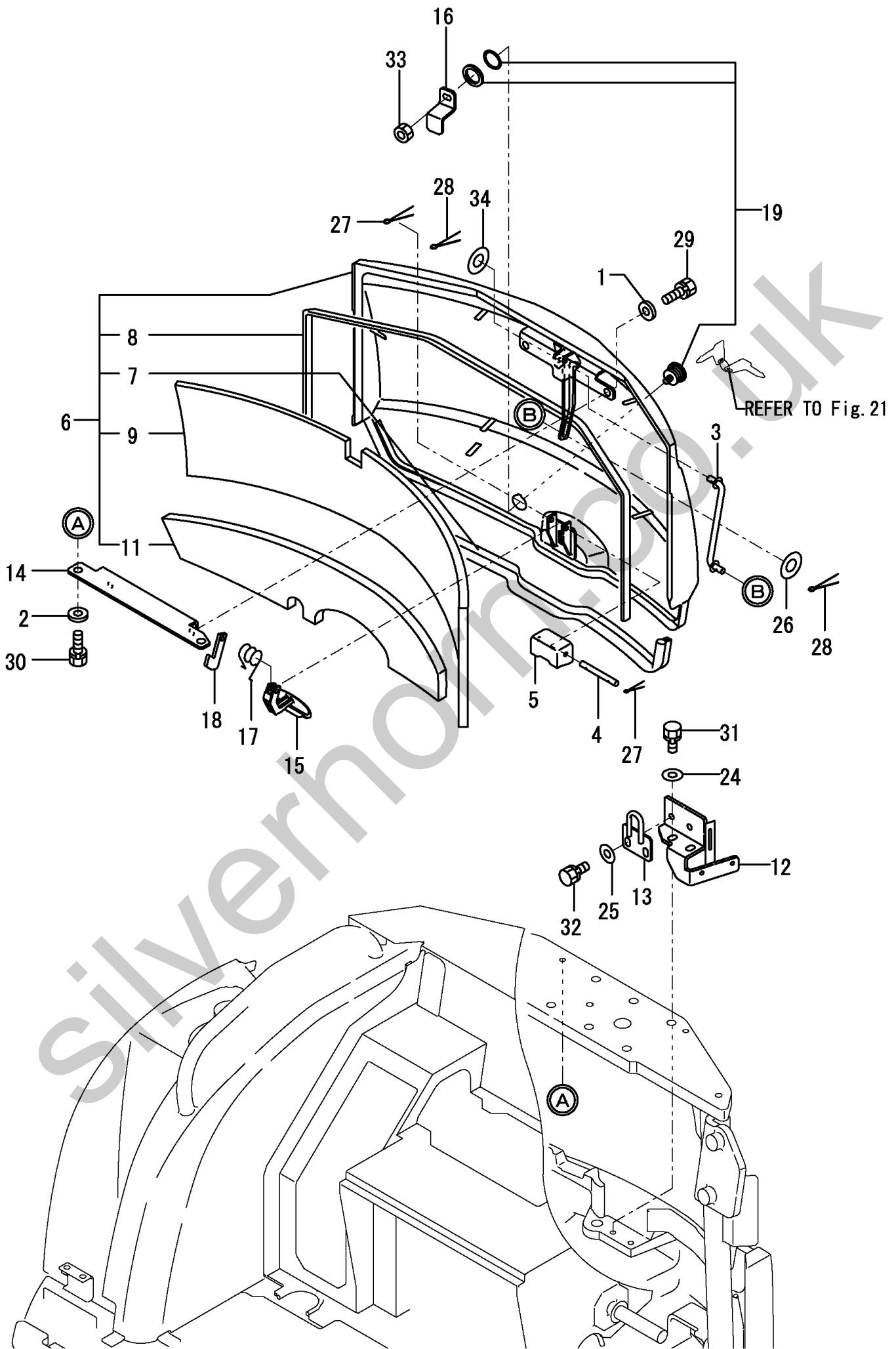
1,1,,172455-64200,, "SEAT, OPERATOR",,1,,,,,,,,,,,,,,,,,,,,,  
2,1,,172122-55061,, "BRACKET, GREASE PUMP",,2,,,,,,,,,,,,,,,,,,,,,  
3,1,,172187-61421,, "HANDLE, LOCK",,1,,,,,,,,,,,,,,,,,,,,,  
4,1,,772456-64211,, "MOUNT,SEAT (GRAY:73)",,1,,,,,,,,,M,,,,,,,,,,,,,I  
4-1,1,,772456-64212,, "MOUNT,SEAT (GRAY,73)",,1,,,,,,,,,,,,,,,,,,,,,I  
4-2,1,,772456-64213,, "MOUNT,SEAT  
(GRAY:73)",,1,,,,,,,,,S,1,,,72456260,M/#21920,,,,,,,,,,,,,I  
4-3,1,,772456-64214,, "MOUNT,SEAT  
(GRAY:73)",,1,,,,,,,,,S,1,,,724560289,M/#22514,,,,,,,,,,,,,I  
9,2,,172164-66480,, "RUBBER 340, SEAL",,1,,,,,,,,,,,,,,,,,,,,,  
10,1,,172456-64440,, "GRILLE (GRAY:73)",,1,,,,,,,,,,,,,,,,,,,,,  
13,1,,172458-64510,, "COVER,SEAT MOUNT(73)",,1,,,,,,,,,,,,,,,,,,,,,  
14,1,,172458-64590,, "PLUG 28X3.2",,1,,,,,,,,,,,,,,,,,,,,,  
15,1,,172458-64600,, "CLIP 11",,1,,,,,,,,,,,,,,,,,,,,,  
15-1,1,,172458-64600,, "CLIP 11",,3,,,,,K,,,,72456190,M/#21218,,,,,,,,,,,,,I  
16,1,,172456-64800,, "PIPE ASSY (GRAY:73)",,1,,,,,,,,,,,,,,,,,,,,,  
17,2,,172445-62010,, "RUBBER 45, EDGE",,2,,,,,,,,,,,,,,,,,,,,,  
19,1,,172456-64850,, "PLATE,SEAT (GRAY:73)",,1,,,,,,,,,,,,,,,,,,,,,  
22,1,,22137-100000,, "WASHER 10,POLISHED",,3,,,,,,,,,,,,,,,,,,,,,  
23,1,,22137-100000,, "WASHER 10,POLISHED",,5,,,,,,,,,,,,,,,,,,,,,  
24,1,,22137-120000,, "WASHER 12,POLISHED",,4,,,,,,,,,,,,,,,,,,,,,  
25,1,,22137-120000,, "WASHER 12,POLISHED",,2,,,,,,,,,,,,,,,,,,,,,  
26,1,,22217-080000,, "SPRING WASHER 8",,2,,,,,,,,,,,,,,,,,,,,,  
27,1,,22217-080000,, "SPRING WASHER 8",,4,,,,,,,,,,,,,,,,,,,,,  
28,1,,26013-060102,, "BOLT M 6X 10",,4,,,,,,,,,,,,,,,,,,,,,  
29,1,,26013-100202,, "BOLT W/WASHER M10X20",,4,,,,,,,,,,,,,,,,,,,,,  
30,1,,26013-100202,, "BOLT W/WASHER M10X20",,5,,,,,,,,,,,,,,,,,,,,,  
31,1,,26013-100252,, "BOLT W/WASHER M10X25",,3,,,,,,,,,,,,,,,,,,,,,  
32,1,,26013-120252,, "BOLT M12X 25",,2,,,,,,,,,,,,,,,,,,,,,  
33,1,,26013-120302,, "BOLT W/WASHER M12X30",,4,,,,,,,,,,,,,,,,,,,,,  
34,1,,26116-080162,, "BOLT 8X16",,2,,,,,,,,,,,,,,,,,,,,,  
35,1,,26716-080002,, "NUT M 8",,4,,,,,,,,,,,,,,,,,,,,,  
36,1,,172989-64450,, "SEAT BELT",,1,,,,,,,,,,,,,,,,,,,,,  
36-1,1,,172989-64451,, "BELT, SEAT",,1,,,,,R,,,,72469017,M/#21597,,,,,,,,,,,,,I  
37,1,,172433-64510,, "BOLT 7/16-20-UNF",,2,,,,,,,,,,,,,,,,,,,,,  
38,1,,172187-64830,, "NUT 7/16-20UNF",,4,,,,,,,,,,,,,,,,,,,,,  
39,1,,22137-120000,, "WASHER 12,POLISHED",,4,,,,,,,,,,,,,,,,,,,,,  
40,1,,933170-01490,, "SPRING 12",,4,,,,,,,,,,,,,,,,,,,,,  
41,1,,172187-64900,, "PLUG,,1,,,,,W,,,,724560289,M/#22514,,,,,,,,,,,,,I





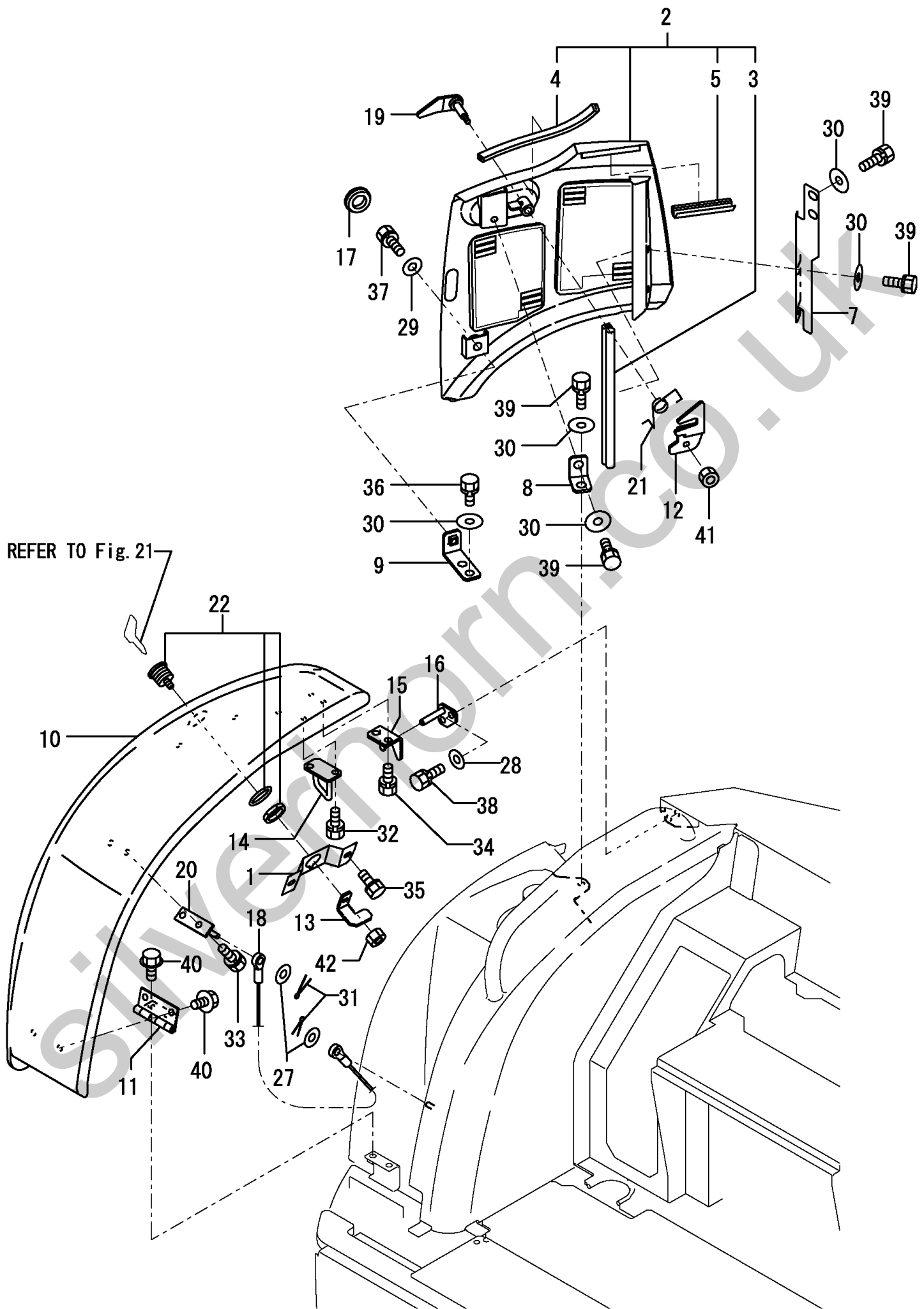
1,1,,194145-04810,, "WASHER 10",2,2,,2,,,,,,,,,,,,,,,,,,,,,  
 2,1,,194145-04810,, "WASHER 10",2,2,,2,,,,,,,,,,,,,,,,,,,,,  
 3,1,,172444-64730,, "ROD,STOPPER",1,1,,1,,,,,,,,,,,,,,,,,,,,,  
 4,1,,172458-65050,, "SHAFT",1,1,,1,,,,,,,,,,,,,,,,,,,,,  
 5,1,,172458-65060,, "COVER,BONNET LOCK",1,1,,1,,,,,,,,,,,,,,,,,,,,,  
 6,1,,172457-65100,, "BONNET A (GREEN:96)",1,1,,1,,,,,,,,,,,,,,,,,,,,,  
 7,2,,172458-65070,, "SEAL 945",1,1,,1,,,,,,,,,,,,,,,,,,,,,  
 8,2,,172458-65080,, "RUBBER,SEAL 1450",1,1,,1,,,,,,,,,,,,,,,,,,,,,  
 9,2,,172457-65110,, "SEAL A",1,1,,1,,,,,,,,,,,,,,,,,,,,,  
 11,2,,172457-65120,, "SEAL B",1,1,,1,,,,,,,,,,,,,,,,,,,,,  
 12,1,,172456-65150,, "BRACKET A.LOCK (73)",1,1,,1,,,,,,,,,,,,,,,,,,,,,  
 13,1,,172456-65170,, "BRACKET B,LOCK",,1,,,,,,,,,,,,,,,,,,,,,  
 13-1,1,,172456-65171,, "BRACKET B,  
 LOCK",1,1,,1,,N,,,,,72458442,M/#21118,,,,,,,,,,,,,I  
 14,1,,172456-65190,, "BRACKET C",1,1,,1,,,,,,,,,,,,,,,,,,,,,  
 15,1,,172187-65210,, "LEVER ASSY, LOCK",1,1,,1,,,,,,,,,,,,,,,,,,,,,  
 16,1,,172458-65270,, "PLATE,LOCK",,1,,,,,,,,,,,,,,,,,,,,,  
 16-1,1,,172458-65271,, "PLATE,ROCK",1,1,,1,,R,,,,,72460107,M/#20785,,,,,,,,,,,,,  
 17,1,,172734-65270,, "SPRING, CATCH",1,1,,1,,,,,,,,,,,,,,,,,,,,,  
 18,1,,172124-65480,, "CATCHER",1,1,,1,,,,,,,,,,,,,,,,,,,,,  
 19,1,,172164-66170,, "KEY ASSY, CYLINDER",1,1,,1,,,,,,,,,,,,,,,,,,,,,  
 24,1,,22137-100000,, "WASHER 10,POLISHED",2,2,,2,,,,,,,,,,,,,,,,,,,,,  
 25,1,,22137-100000,, "WASHER 10,POLISHED",2,2,,2,,,,,,,,,,,,,,,,,,,,,  
 26,1,,22157-080000,, "WASHER 8",,1,,,,,,,,,,,,,,,,,,,,,I  
 26-1,1,,1A1380-62160,, "WASHER",1,1,,1,,N,,,,,72458487,M/#21637,,,,,,,,,,,,,I  
 27,1,,22417-200200,, "COTTER PIN 2.0X20",2,2,,2,,,,,,,,,,,,,,,,,,,,,  
 28,1,,22417-200200,, "COTTER PIN 2.0X20",2,2,,2,,,,,,,,,,,,,,,,,,,,,  
 29,1,,26013-100252,, "BOLT W/WASHER M10X25",2,2,,2,,,,,,,,,,,,,,,,,,,,,  
 30,1,,26013-100252,, "BOLT W/WASHER M10X25",2,2,,2,,,,,,,,,,,,,,,,,,,,,  
 31,1,,26013-100252,, "BOLT W/WASHER M10X25",2,2,,2,,,,,,,,,,,,,,,,,,,,,  
 32,1,,26013-100252,, "BOLT W/WASHER M10X25",2,2,,2,,,,,,,,,,,,,,,,,,,,,  
 33,1,,26347-100002,, "U-NUT 10",1,1,,1,,,,,,,,,,,,,,,,,,,,,  
 34,1,,22157-080000,, "WASHER 8",,1,,,,,,,,,,,,,,,,,,,,,I  
 34-1,1,,22137-080000,, "WASHER 8,  
 POLISHED",1,1,,1,,N,,,,,72458487,M/#21637,,,,,,,,,,,,,I





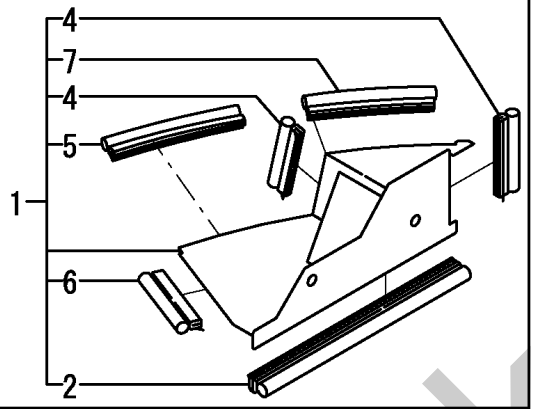


1,1,,172455-65230,, "PLATE,KEY(YELLOW:87)",1,1,,1,,,,,,,,,,,,,  
2,1,,172456-65300,, "BONNET R (GREEN:96)",,1,,,,,,,,,,,,,  
2-1,1,,172456-65301,, "BONNET R  
(GREEN:96)",1,1,,1,,N,,,,,72456230,M/#21637,,,,,,,,,,,,,I  
3,2,,172444-54920,, "SEAL,WEIGHT  
C",1,1,,1,,,,,724560314,,724560314,,724560314,,,,,,,,,,,,,I  
4,2,,172434-61190,, "TRIM 220",1,1,,1,,,,,,,,,,,,,  
5,2,,172458-61500,, "RUBBER,SEAL 120",1,1,,1,,,,,,,,,,,,,  
7,1,,172456-65440,, "BRACKET A,BONNET R",1,1,,1,,,,,,,,,,,,,  
8,1,,172456-65450,, "BRACKET B,BONNET R",1,1,,1,,,,,,,,,,,,,  
9,1,,172456-65460,, "BRACKET C",,1,,,,,,,,,,,,,  
9-1,1,,172456-65461,, "BRACKET C",1,1,,1,,N,,,,,72456230,M/#21637,,,,,,,,,,,,,I  
10,1,,172456-65500,, "BONNET B",1,1,,1,,,,,,,,,,,,,  
11,1,,172456-65510,, "HINGE,BONNET B",,1,,,,,,,,,,,,,  
11-1,1,,172456-65511,, "HINGE,BONNET B  
(97)",1,1,,1,,N,,,,,72456230,M/#21637,,,,,,,,,,,,,I  
12,1,,172456-65520,, "PLATE,HOOK",1,1,,1,,,,,,,,,,,,,  
13,1,,172458-65530,, "PLATE,LOCK",,1,,,,,,,,,,,,,  
13-1,1,,172487-65520,, "PLATE,HOOK",1,1,,1,,N,,,,,72456230,M/#21637,,,,,,,,,,,,,I  
14,1,,172458-65540,, "PLATE ASSY,STOPPER",1,1,,1,,,,,,,,,,,,,  
15,1,,172458-65560,, "PLATE,GUIDE",1,1,,1,,,,,,,,,,,,,  
16,1,,172458-65580,, "BRACKET ASSY,GUIDE",,1,,,,,Z,,,,,72456282,M/#22501,,,,,,,,,,,,,I  
17,1,,172455-65590,, "PLUG 28X2.3",1,1,,1,,,,,,,,,,,,,  
18,1,,172458-65600,, "CABLE",1,1,,1,,,,,,,,,,,,,  
19,1,,172458-65610,, "HOOK ASSY",1,1,,1,,,,,,,,,,,,,  
20,1,,172458-65640,, "STAY ASSY,WIRE",1,1,,1,,,,,,,,,,,,,  
21,1,,172156-65690,, "TORSION SPRING,STOPR",1,1,,1,,,,,,,,,,,,,  
22,1,,172164-66170,, "KEY ASSY, CYLINDER",1,1,,1,,,,,,,,,,,,,  
27,1,,22137-080000,, "WASHER 8, POLISHED",2,2,,2,,,,,,,,,,,,,  
28,1,,22137-100000,, "WASHER 10,POLISHED",,2,,,,,Z,,,,,72456282,M/#22501,,,,,,,,,,,,,I  
29,1,,22137-100000,, "WASHER 10,POLISHED",1,1,,1,,,,,,,,,,,,,  
30,1,,22157-100000,, "WASHER 10",,8,,,,,,,,,,,,,  
30-1,1,,22157-100000,, "WASHER 10",7,7,,7,,K,,,,,72456224,M/#21637,,,,,,,,,,,,,I  
31,1,,22417-200200,, "COTTER PIN 2.0X20",2,2,,2,,,,,,,,,,,,,  
32,1,,26013-100202,, "BOLT W/WASHER M10X20",2,2,,2,,,,,,,,,,,,,  
33,1,,26013-100202,, "BOLT W/WASHER M10X20",2,2,,2,,,,,,,,,,,,,  
34,1,,26013-100202,, "BOLT W/WASHER M10X20",2,2,,2,,,,,,,,,,,,,  
35,1,,26013-100202,, "BOLT W/WASHER M10X20",2,2,,2,,,,,,,,,,,,,  
36,1,,26013-100202,, "BOLT W/WASHER M10X20",,2,,,,,,,,,,,,,  
36-1,1,,26013-100202,, "BOLT W/WASHER  
M10X20",1,1,,1,,K,,,,,72456224,M/#21637,,,,,,,,,,,,,I  
37,1,,26013-100252,, "BOLT W/WASHER M10X25",1,1,,1,,,,,,,,,,,,,  
38,1,,26013-100252,, "BOLT W/WASHER  
M10X25",,2,,,,,Z,,,,,72456282,M/#22501,,,,,,,,,,,,,I  
39,1,,26013-100252,, "BOLT W/WASHER M10X25",6,6,,6,,,,,,,,,,,,,  
40,1,,26106-100162,, "BOLT M10X 16 PLATED",4,4,,4,,,,,,,,,,,,,  
41,1,,26347-080002,, "U-NUT 8",1,1,,1,,,,,,,,,,,,,  
42,1,,26347-100002,, "U-NUT 10",1,1,,1,,,,,,,,,,,,,

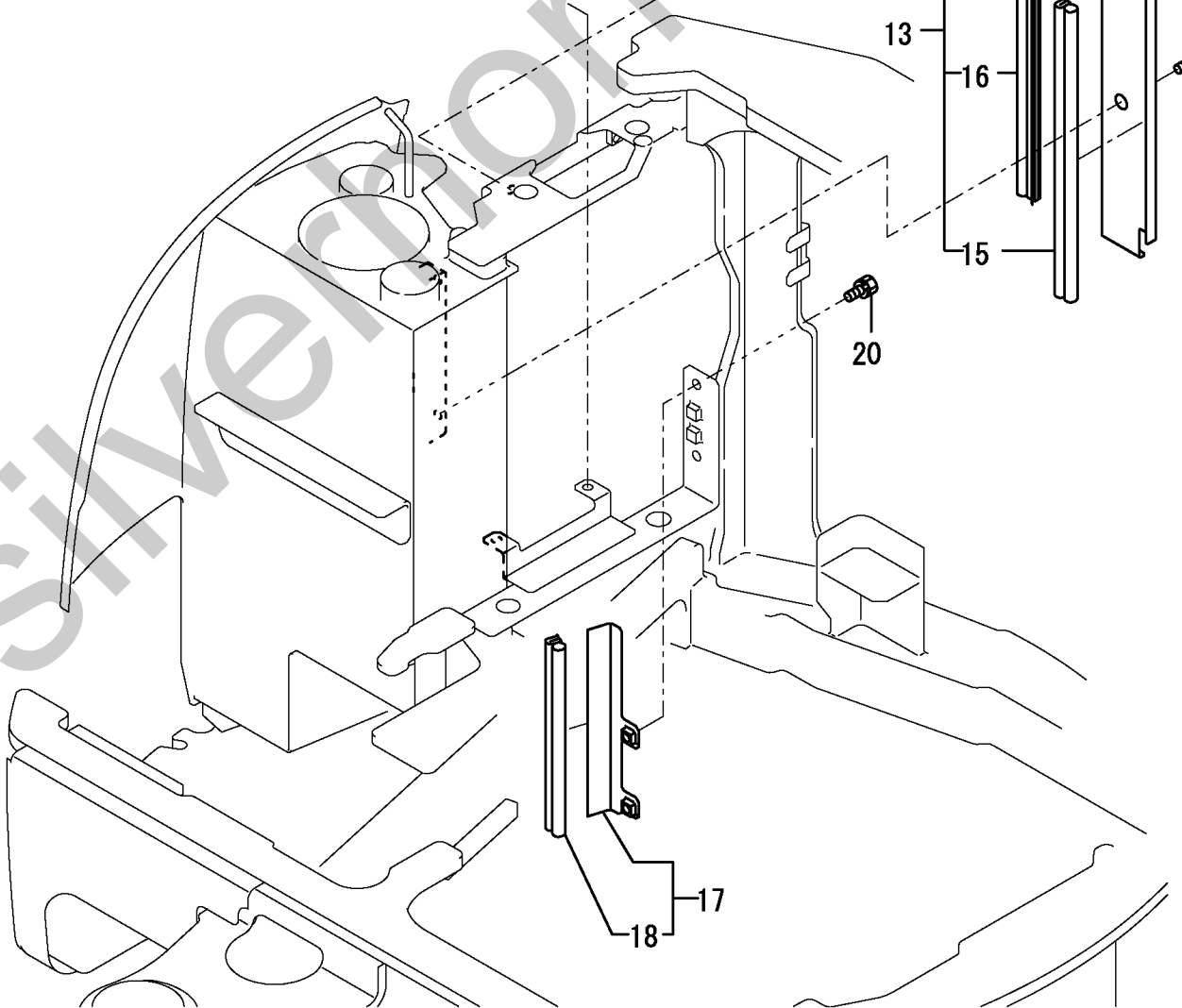
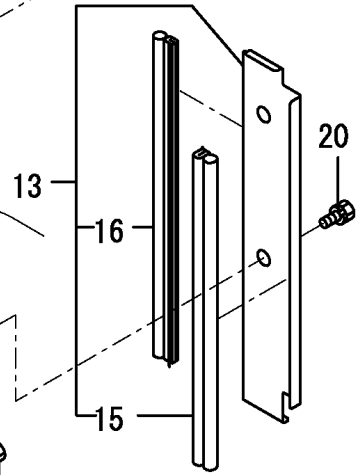
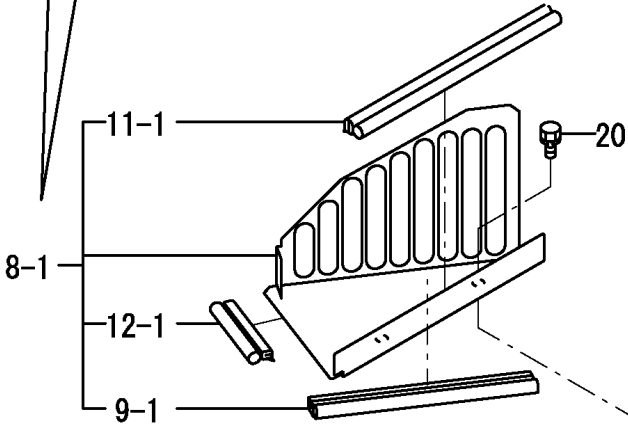
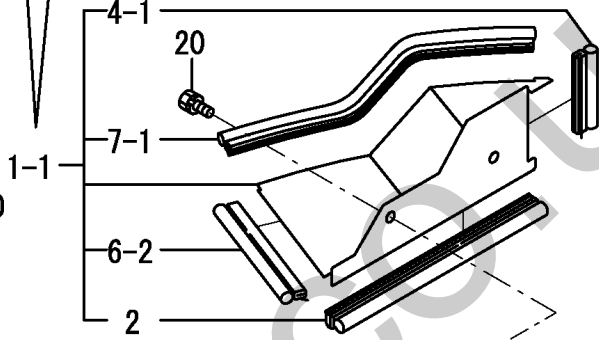
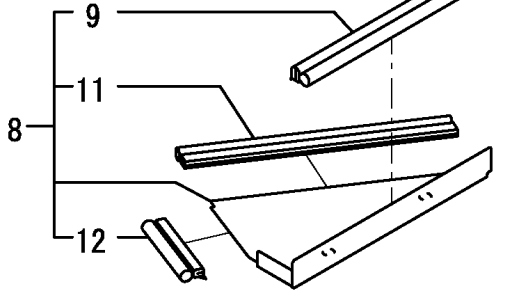


1,1,,172456-65700,, "DUCT,UP (GRAY:73)",,1,,,,,,,,,,,,,  
1-1,1,,172456-65701,, "DUCT, UP  
(GRAY:73)",,1,1,,1,,N,,,,,72456231,M/#21637,,,,,,,,,I  
2,2,,172444-54920,, "SEAL,WEIGHT C",,1,1,,1,,,,,,,,,,,,,  
4,2,,172456-65790,, "RUBBER,SEAL 85",,2,,,,,,,,,,,,,  
4-1,2,,172456-65790,, "RUBBER,SEAL 85",,1,1,,1,,K,,,,,72456231,M/#21637,,,,,,,,,I  
5,2,,172456-65800,, "RUBBER,SEAL 150",,2,,,,,,,,,,,,,  
5-1,2,,172456-65800,, "RUBBER,SEAL 150",,1,,,,,K,,,,,72456136,M/#20508,,,,,,,,,  
5-2,2,,172456-65800,, "RUBBER,SEAL 150",,1,,,,,Z,,,,,72456231,M/#21637,,,,,,,,,I  
6,2,,172171-65850,, "RUBBER,SEAL K",,1,,,,,,,,,,,,,  
6-1,2,,172455-13610,, "RUBBER, SEAL 160",,1,,,,,R,,,,,72456231,M/#21637,,,,,,,,,I  
6-2,2,,172162-15320,, "SEAL,1,1,,1,,R,,,,,72487019,M/#21694,,,,,,,,,I  
7,2,,172456-65860,, "RUBBER,SEAL 130",,1,,,,,W,,,,,72456136,M/#20508,,,,,,,,,  
7-1,2,,172149-13340,, "RUBBER,  
RADIATOR",,1,1,,1,,N,,,,,72456231,M/#21637,,,,,,,,,I  
8,1,,172456-65750,, "DUCT,LOW (GRAY:73)",,1,,,,,,,,,,,,,  
8-1,1,,172456-65751,, "DUCT, LOW  
(GRAY:73)",,1,1,,1,,N,,,,,72456231,M/#21637,,,,,,,,,I  
9,2,,172444-54920,, "SEAL,WEIGHT C",,1,,,,,,,,,,,,,  
9-1,2,,172175-64810,, "SEAL,1,1,,1,,N,,,,,72456231,M/#21637,,,,,,,,,I  
11,2,,172455-65970,, "SEAL, RUBBER 310",,1,,,,,,,,,,,,,  
11-1,2,,172444-54910,, "SEAL,WEIGHT B",,1,1,,1,,N,,,,,72456231,M/#21637,,,,,,,,,I  
12,2,,172164-66650,, "RUBBER, SEAL 95",,1,,,,,,,,,,,,,  
12-1,2,,172164-61250,, "RUBBER, SEAL",,1,1,,1,,N,,,,,72456231,M/#21637,,,,,,,,,I  
13,1,,172456-  
65770,, "DUCT,RESERVER(GRAY73)",,1,,,,,Z,,,,,72456231,M/#21637,,,,,,,,,I  
15,2,,172456-65850,, "SEAL,DUCT 385",,1,,,,,Z,,,,,72456231,M/#21637,,,,,,,,,I  
16,2,,172164-66640,, "RUBBER, SEAL 400",,1,,,,,Z,,,,,72456231,M/#21637,,,,,,,,,I  
17,1,,172456-65820,, "PLATE,DUCT  
(GRAY:73)",,1,,,,,Z,,,,,72456231,M/#21637,,,,,,,,,I  
18,2,,172444-54910,, "SEAL,WEIGHT B",,1,,,,,Z,,,,,72456231,M/#21637,,,,,,,,,I  
20,1,,26013-100202,, "BOLT W/WASHER M10X20",,8,,,,,,,,,,,,,  
20-1,1,,26013-100202,, "BOLT W/WASHER  
M10X20",,4,4,,4,,K,,,,,72456231,M/#21637,,,,,,,,,I

旧形  
PREVIOUS

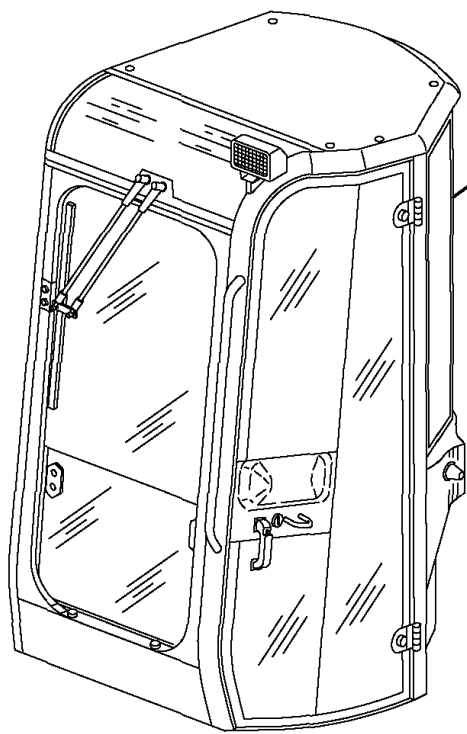


旧形  
PREVIOUS



1,1,,172165-13220,,WASHER,10,,,,,,,,,,,,,I  
2,1,,172190-16500,,HARNES,1,,,,,,,,,,,,,I  
3,1,,172122-55061,, "BRACKET, GREASE PUMP",2,,,,,,,,,,,,,I  
4,1,,172458-63580,, "SPACER (GRAY:73)",1,,,,,,,,,,,,,I  
5,1,,172458-63900,,STOPPER,2,,,,,,,,,,,,,I  
6,1,,172456-68810,, "SEAL, R SIDE",1,,,,,,,,,,,,,I  
7,1,,172456-68820,, "SEAL,REAR",1,,,,,,,,,,,,,I  
8,1,,172456-68900,, "HOLDER,GREASE GUN(73",1,,,,,,,,,,,,,I  
9,2,,172445-62010,, "RUBBER 45, EDGE",2,,,,,,,,,,,,,I  
11,1,,22217-120000,, "SPRING WASHER 12",10,,,,,,,,,,,,,I  
12,1,,26013-060102,, "BOLT M 6X 10",4,,,,,,,,,,,,,I  
13,1,,26013-060162,, "BOLT M 6X 16",2,,,,,,,,,,,,,I  
14,1,,26076-120402,, "BOLT 10.9 12X 4",10,,,,,,,,,,,,,I

Silverhorn.CO.UK

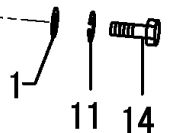
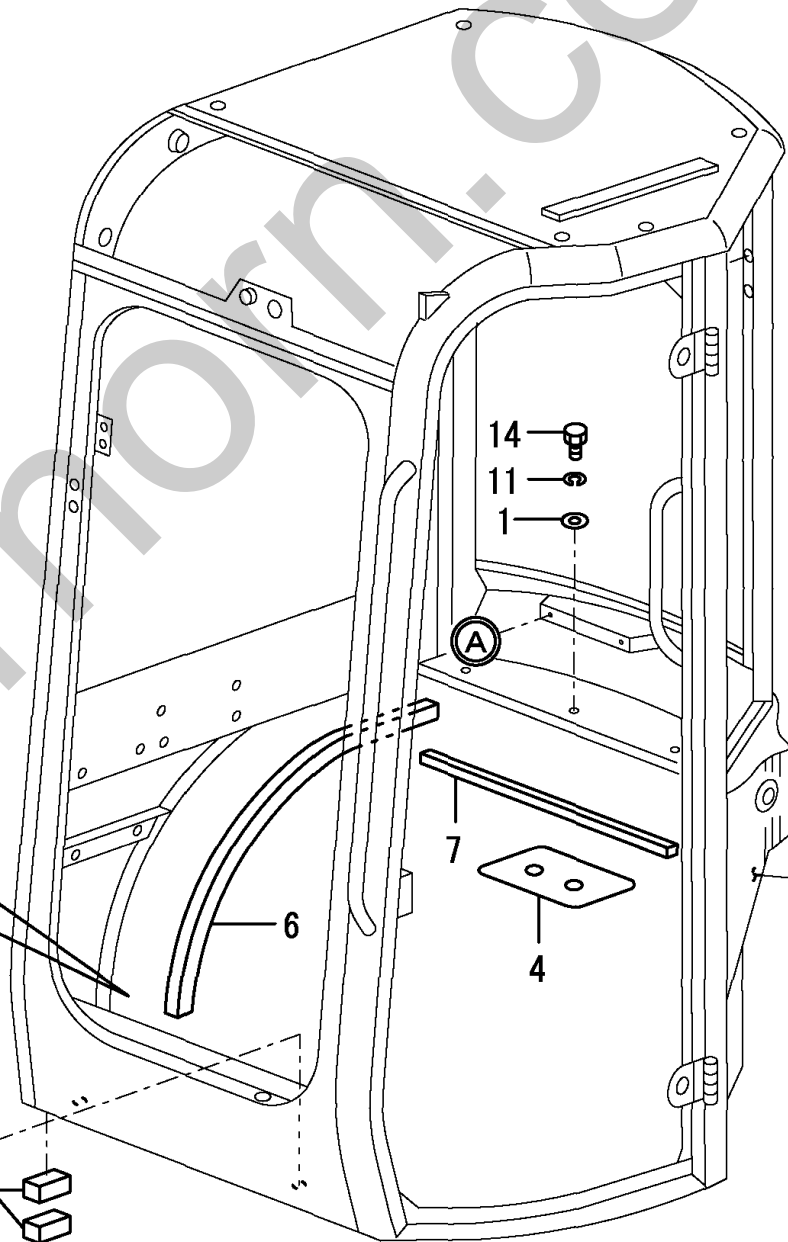
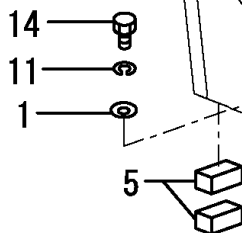
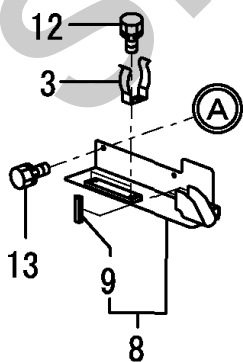
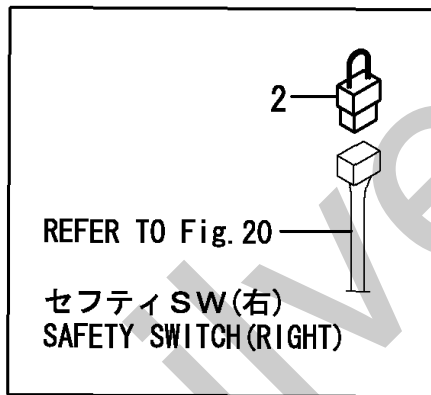


REFER TO Fig. 55~58

キャビンASSY  
CABIN ASSY  
172456-68400

項目NO. 55の見出しNO. 1は、  
項目NO. 55の見出しNO. 2~44と  
項目NO. 56の見出しNO. 1~28と  
項目NO. 57の見出しNO. 1~31と  
項目NO. 58の見出しNO. 1~35を含みます。

Fig. 55 Ref. No. 1  
INC. Fig. 55 Ref. No. 2~44.  
Fig. 56 Ref. No. 1~28.  
Fig. 57 Ref. No. 1~31.  
Fig. 58 Ref. No. 1~35.



1,1,,172456-68400,, "CABIN ASSY(GREEN:83)",1,,,,,,,,,,,,,I  
 2,2,,X7030190000,, "CABIN BODY",1,,,,,,,,,724560315,,,,,,,,,I  
 3,3,,X1001230000,, "SWITCH, ROOM LAMP",1,,,,,,,,,,,,,I  
 4,3,,X1001670000,, "U-NUT M6",1,,,,,,,,,,,,,I  
 5,3,,X1002860000,, "WASHER 6",4,,,,,,,,,,,,,I  
 6,3,,X1004440000,, "WASHER 12 30 2",1,,,,,,,,,,,,,I  
 7,3,,X1011330000,, "SCREW 3.5 12.7",1,,,,,,,,,,,,,I  
 8,3,,X1011330000,, "SCREW 3.5 12.7",2,,,,,,,,,,,,,I  
 9,3,,X1034060000,, "LAMP, ROOM",1,,,,,,,,,,,,,I  
 10,3,,X1037930000,, "CATCH, DOOR",1,,,,,,,,,,,,,I  
 11,3,,X1038970000,, "ASHTRAY",1,,,,,,,,,,,,,I  
 12,3,,X1041600000,, "SHAFT",1,,,,,,,,,,,,,I  
 13,3,,X1050470000,, "HANGER",1,,,,,,,,,,,,,I  
 14,3,,X1053420000,, "SCREW 4.8X16",4,,,,,,,,,,,,,I  
 15,3,,X1055600000,, "PROTECTOR, L",1,,,,,,,,,,,,,I  
 16,3,,X1058000000,, "GROMMET 16 22X3",3,,,,,,,,,,,,,I  
 17,3,,X1058510000,, "RIVET 3.2X8",2,,,,,,,,,,,,,I  
 18,3,,X1065650000,, "GROMMET",1,,,,,,,,,,,,,I  
 19,3,,X1065940000,, "HAMMER",1,,,,,,,,,,,,,I  
 20,3,,X1067180000,, "SEAL,BAND",1,,,,,,,,,,,,,I  
 21,3,,X1067670000,, "WASHER",1,,,,,,,,,,,,,I  
 22,3,,X1067850000,, "SCREW,LINK",1,,,,,,,,,,,,,I  
 23,3,,X1068510000,, "SCREW M6 16",2,,,,,,,,,,,,,I  
 24,3,,X1068510000,, "SCREW M6 16",1,,,,,,,,,,,,,I  
 25,3,,X1068510000,, "SCREW M6 16",4,,,,,,,,,,,,,I  
 26,3,,X1074570000,, "HOLDER,FRONT WINDOW",1,,,,,,,,,,,,,I  
 27,3,,X1085990000,, "SPRING 1.5X10X50",1,,,,,,,,,,,,,I  
 28,3,,X1086000000,, "KNOB, LEVER",1,,,,,,,,,,,,,I  
 29,3,,X1086040000,, "BOLT 6X35",4,,,,,,,,,,,,,I  
 30,3,,X1089400000,, "CATCH, DOOR",1,,,,,,,,,,,,,I  
 31,3,,X1089450000,, "NYLON COLLAR",1,,,,,,,,,,,,,I  
 32,3,,X1099610000,, "CUSHION,RUBBER",4,,,,,,,,,,,,,I  
 33,3,,X1110960000,, "CLIP",5,,,,,,,,,,,,,I  
 34,3,,X1123340000,, "LOCK BAR",1,,,,,,,,,,,,,I  
 35,3,,X1129060000,, "HARNESS, WIRE",1,,,,,,,,,,,,,I  
 36,3,,X1129740000,, "ROOF, INNER",1,,,,,,,,,,,,,I  
 37,3,,X3044330000,, "PLATE, L",1,,,,,,,,,,,,,I  
 38,3,,X3174180000,, "SUPPROT,ASHTRAY",1,,,,,,,,,,,,,I  
 39,3,,X3175310000,, "LOCK LEVER",1,,,,,,,,,,,,,I  
 40,3,,X317720000,, "SEAL 610",1,,,,,,,,,,,,,I  
 41,3,,X317730000,, "SEAL 3040",1,,,,,,,,,,,,,I  
 42,3,,X317740000,, "SEAL 310",1,,,,,,,,,,,,,I  
 43,3,,X6034610000,, "CABIN BASE ASSY",1,,,,,,,,,,,,,I  
 44,3,,X6034690000,, "LEVER, DOOR LOCK",1,,,,,,,,,,,,,I

キャビンボディASSY  
CABIN BODY ASSY  
X7030190000

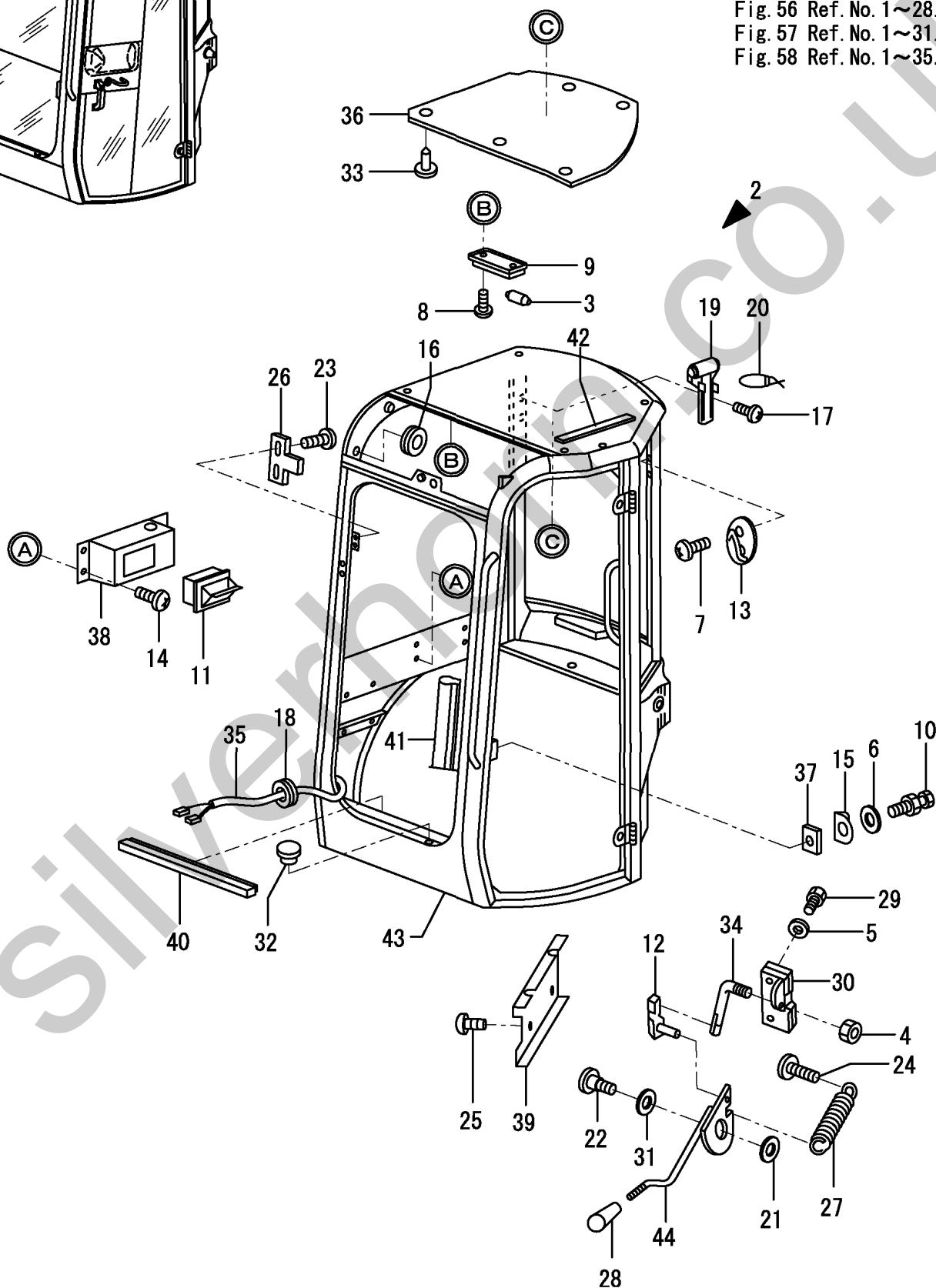
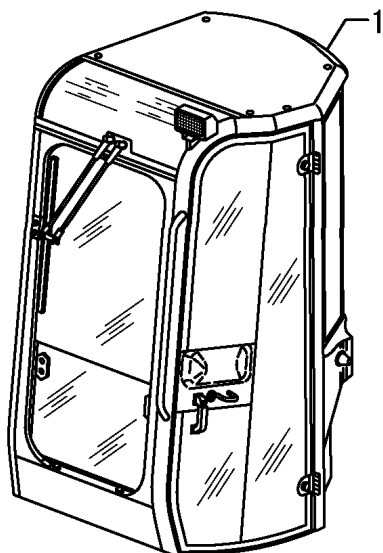
キャビンASSY  
CABIN ASSY  
172456-68400

項目NO. 55の見出しNO. 2は、  
項目NO. 55の見出しNO. 3~44と  
項目NO. 56の見出しNO. 1~28を含みます。

項目NO. 55の見出しNO. 1は、  
項目NO. 55の見出しNO. 2~44と  
項目NO. 56の見出しNO. 1~28と  
項目NO. 57の見出しNO. 1~31と  
項目NO. 58の見出しNO. 1~35を含みます。

Fig. 55 Ref. No. 2  
INC. Fig. 55 Ref. No. 3~44.  
Fig. 56 Ref. No. 1~28.

Fig. 55 Ref. No. 1  
INC. Fig. 55 Ref. No. 2~44.  
Fig. 56 Ref. No. 1~28.  
Fig. 57 Ref. No. 1~31.  
Fig. 58 Ref. No. 1~35.





1,3,,X1001590000,, "SCREW M5 8",2,,,,,,,,,,,,,,,,,,,,,I  
2,3,,X1001740000,, "WASHER 6",2,,,,,,,,,,,,,,,,,,,,,I  
3,3,,X1002600000,, "BOLT 16X30",4,,,,,,,,,,,,,,,,,,,,,I  
4,3,,X1005160000,, "WASHER 8",1,,,,,,,,,,,,,,,,,,,,,I  
5,3,,X1007040000,, "WASHER 6 18 1",4,,,,,,,,,,,,,,,,,,,,,I  
6,3,,X1007460000,, "BOLT 8X16",1,,,,,,,,,,,,,,,,,,,,,I  
7,3,,X1009010000,, "CAP, NUT M6",2,,,,,,,,,,,,,,,,,,,,,I  
8,3,,X1011100000,, "DOOR STOPPER",2,,,,,,,,,,,,,,,,,,,,,I  
9,3,,X1053000000,, "LAMP, WORK",1,,,,,,,,,,,,,,,,,,,,,I  
10,3,,X1057080000,, "ARM, WIPER",1,,,,,,,,,,,,,,,,,,,,,I  
11,3,,X1057150000,, "BLADE, WIPER",1,,,,,,,,,,,,,,,,,,,,,I  
12,3,,X1060040000,, "MOTOR, WIPER",1,,,,,,,,,,,,,,,,,,,,,I  
13,3,,X1068240000,, "NUT, SEAL M6",2,,,,,,,,,,,,,,,,,,,,,I  
14,3,,X1068260000,, "NUT, BRASS M6",2,,,,,,,,,,,,,,,,,,,,,I  
15,3,,X1068270000,, "CAP",2,,,,,,,,,,,,,,,,,,,,,I  
16,3,,X1069410000,, "WASHER 17X40X4",4,,,,,,,,,,,,,,,,,,,,,I  
17,3,,X1069420000,, "WASHER",4,,,,,,,,,,,,,,,,,,,,,I  
18,3,,X1073610000,, "BOLT 6X25 BRASS",2,,,,,,,,,,,,,,,,,,,,,I  
19,3,,X1107810000,, "SCREW M5X12",2,,,,,,,,,,,,,,,,,,,,,I  
20,3,,X1112560000,, "CLIP M5",2,,,,,,,,,,,,,,,,,,,,,I  
21,3,,X1123360000,, "COVER,MOTOR",1,,,,,,,,,,,,,,,,,,,,,I  
22,3,,X1127980000,, "SASH ASSY",1,,,,,,,,,,,,,,,,,,,,,I  
23,3,,X1127990000,, "GLASS, REAR",1,,,,,,,,,,,,,,,,,,,,,I  
24,3,,X1128000000,, "GLASS, SIDE L",1,,,,,,,,,,,,,,,,,,,,,I  
25,3,,X1128010000,, "GLASS, SKYLIGHT",1,,,,,,,,,,,,,,,,,,,,,I  
26,3,,X3098770000,, "SUPPORT,WIPER BLADE",1,,,,,,,,,,,,,,,,,,,,,I  
27,3,,X3171440000,, "SUPORT,MOTOR",1,,,,,,,,,,,,,,,,,,,,,I  
28,3,,X3173820000,, "SEAL, JOINT 300",2,,,,,,,,,,,,,,,,,,,,,I

Silverhorn.CO.UK

キャビンボディASSY  
CABIN BODY ASSY  
X7030190000

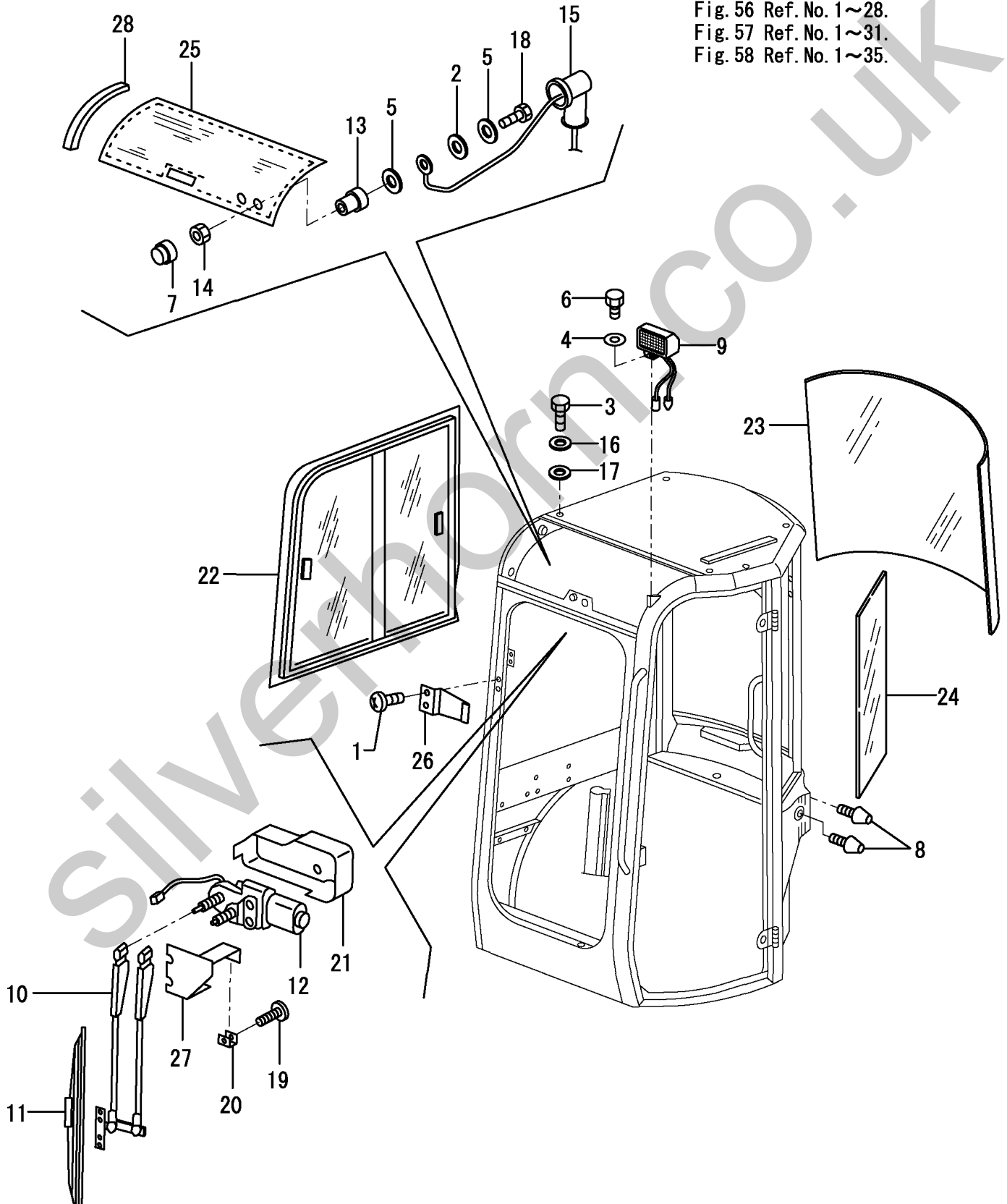
項目NO. 55の見出しNO. 2は、  
項目NO. 55の見出しNO. 3~44と  
項目NO. 56の見出しNO. 1~28を含みます。

Fig. 55 Ref. No. 2  
INC. Fig. 55 Ref. No. 3~44.  
Fig. 56 Ref. No. 1~28.

キャビンASSY  
CABIN ASSY  
172456-68400

項目NO. 55の見出しNO. 1は、  
項目NO. 55の見出しNO. 2~44と  
項目NO. 56の見出しNO. 1~28と  
項目NO. 57の見出しNO. 1~31と  
項目NO. 58の見出しNO. 1~35を含みます。

Fig. 55 Ref. No. 1  
INC. Fig. 55 Ref. No. 2~44.  
Fig. 56 Ref. No. 1~28.  
Fig. 57 Ref. No. 1~31.  
Fig. 58 Ref. No. 1~35.



1,2,,X7030200000,, "DOOR ASSY, SIDE",1,,,,,724560315,,,,,I  
2,3,,X1002440000,, "NUT, M6",2,,,,,I  
3,3,,X1002860000,, "WASHER 6",2,,,,,I  
4,3,,X1003280000,, "CAP 12",2,,,,,I  
5,3,,X1004420000,, "SCREW 6X20",3,,,,,I  
6,3,,X1004490000,, "NUT 12",2,,,,,I  
7,3,,X1009010000,, "CAP, NUT M6",2,,,,,I  
8,3,,X1022300000,, "RING, NYLON",1,,,,,I  
9,3,,X1025420000,, "WASHER 8X19X1.5",3,,,,,I  
10,3,,X1039180000,, "CAP 6/10",1,,,,,I  
11,3,,X1052660000,, "LOCK ASSY",1,,,,,I  
12,3,,X1053420000,, "SCREW 4.8X16",2,,,,,I  
13,3,,X1053430000,, "BOLT 8X40",2,,,,,I  
14,3,,X1057020000,, "LOCK, KEY",1,,,,,I  
15,3,,X1068510000,, "SCREW M6 16",2,,,,,I  
16,3,,X1082150000,, "WASHER 12X22.5X2.5",2,,,,,I  
17,3,,X1123320000,, "SLEEVE",2,,,,,I  
18,3,,X1126110000,, "KNOB",1,,,,,I  
19,3,,X1129590000,, "BOLT M12X60",2,,,,,I  
20,3,,X1129630000,, "COVER, LOCK",1,,,,,I  
21,3,,X3173190000,, "LOCK PLATE",1,,,,,I  
22,3,,X3177770000,, "SEAL 4070",1,,,,,I  
23,3,,X7030210000,, "DOOR ASSY",1,,,,,I  
24,4,,X1116350000,, "CLIP 8",2,,,,,I  
25,4,,X1127510000,, "WASHER, NYLON 8.5X1.6",2,,,,,I  
26,4,,X1127530000,, "SHAFT 8X23",2,,,,,I  
27,4,,X1128040000,, "GLASS R, REAR",1,,,,,I  
28,4,,X1128050000,, "GLASS R, TOP",1,,,,,I  
29,4,,X1128060000,, "GLASS R, BOTTOM",1,,,,,I  
30,4,,X6034530000,, "FRAME, REAR",1,,,,,I  
31,4,,X6034540000,, "FRAME, FRONT",1,,,,,I



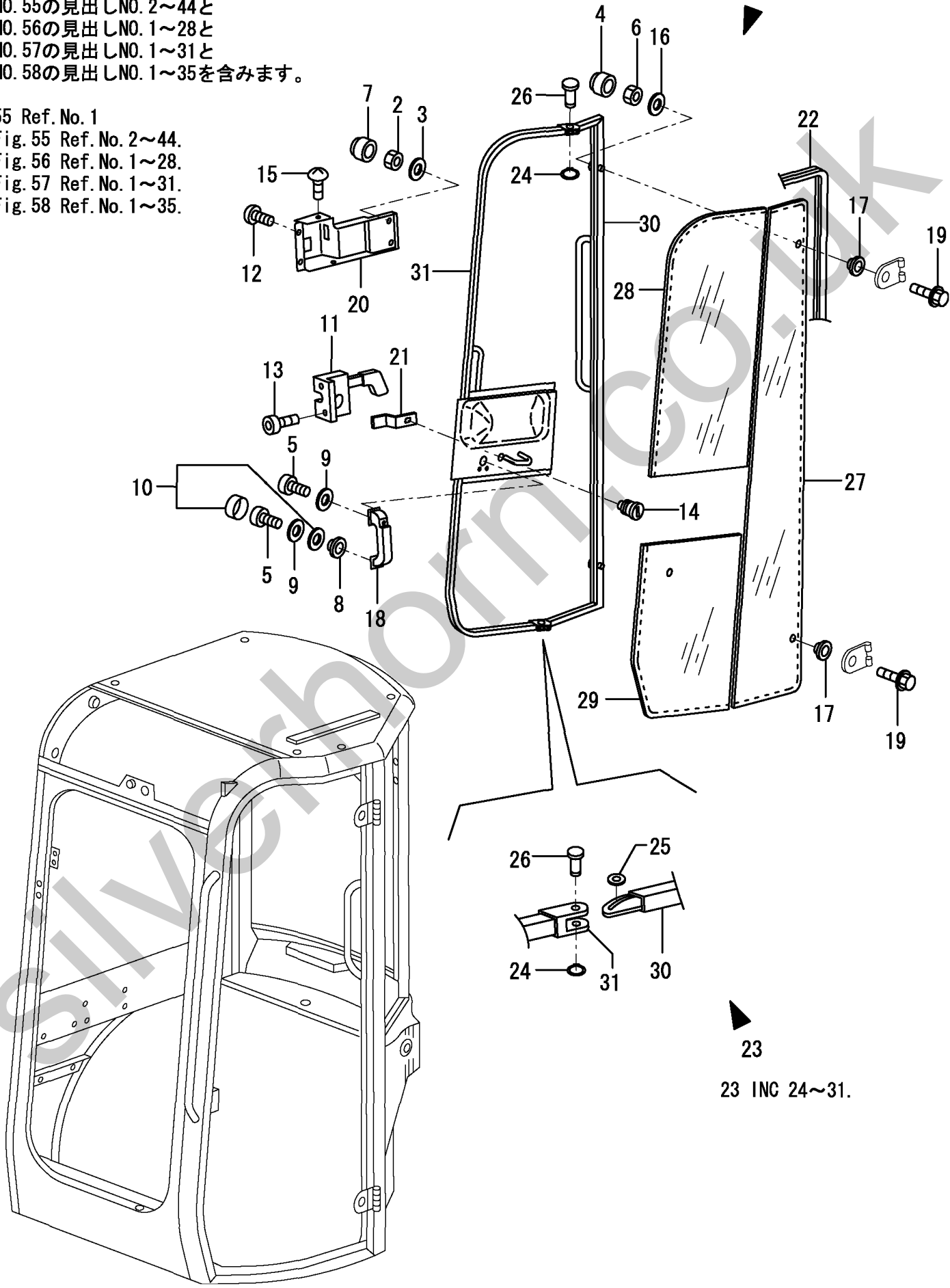
キャビンASSY  
 CABIN ASSY  
 172456-68400

項目NO. 55の見出しNO. 1は、  
 項目NO. 55の見出しNO. 2~44と  
 項目NO. 56の見出しNO. 1~28と  
 項目NO. 57の見出しNO. 1~31と  
 項目NO. 58の見出しNO. 1~35を含みます。

Fig. 55 Ref. No. 1  
 INC. Fig. 55 Ref. No. 2~44.  
 Fig. 56 Ref. No. 1~28.  
 Fig. 57 Ref. No. 1~31.  
 Fig. 58 Ref. No. 1~35.

1 INC 2~31.

1



23  
 23 INC 24~31.

1,2,,X7030540000,, "GLASS ASSY, FRONT",1,,,,,724560315,,,,,I  
2,3,,X7030220000,, "FRONT GLASS(UP) ASSY",1,,,,,I  
3,4,,X1002430000,, "NUT, M8",4,,,,,I  
4,4,,X1005160000,, "WASHER 8",4,,,,,I  
5,4,,X1008300000,, "CAP, NUT M8",4,,,,,I  
6,4,,X1026340000,, "PLUG",2,,,,,I  
7,4,,X1053430000,, "BOLT 8X40",4,,,,,I  
8,4,,X1064680000,, "BUSH, NYLON",2,,,,,I  
9,4,,X1067670000,, "WASHER",4,,,,,I  
10,4,,X1067680000,, "BUSH, NYLON",3,,,,,I  
11,4,,X1067850000,, "SCREW, LINK",2,,,,,I  
12,4,,X1067850000,, "SCREW, LINK",2,,,,,I  
13,4,,X1067930000,, "PLUG",2,,,,,I  
14,4,,X1067940000,, "LOCK L, UPPER WINDOW",1,,,,,I  
15,4,,X1067950000,, "LOCK R, UPPER WINDOW",1,,,,,I  
16,4,,X1068510000,, "SCREW M6 16",4,,,,,I  
17,4,,X1072870000,, "GLIP",2,,,,,I  
18,4,,X1073810000,, "COLLAR",1,,,,,I  
19,4,,X1099610000,, "CUSHION, RUBBER",2,,,,,I  
20,4,,X1100650000,, "SCREW M8X20",2,,,,,I  
21,4,,X1129640000,, "SPRING, GAS",2,,,,,I  
22,4,,X3100400000,, "NYLON SEAL 440",2,,,,,I  
23,4,,X3175510000,, "SEAL 780",2,,,,,I  
24,4,,X6034190000,, "GUIDE L",1,,,,,I  
25,4,,X6034200000,, "GUIDE R",1,,,,,I  
26,4,,X6034630000,, "LINK",1,,,,,I  
27,4,,X7030230000,, "GLASS ASSY, FRONT",1,,,,,1,I  
28,4,,X6034620000,, "FRAME, FRONT GLASS",1,,,,,I  
29,4,,X1128030000,, "GLASS, FRONT",1,,,,,I  
30,4,,X7030240000,, "GLASS ASSY, UNDER",1,,,,,2,I  
31,4,,X1063660000,, "LOCK L, LOWER WINDOW",1,,,,,I  
32,4,,X1063670000,, "LOCK R, LOWER WINDOW",1,,,,,I  
33,4,,X1093290000,, "BOLT, M525",4,,,,,I  
34,4,,X1128020000,, "GLASS, UNDER",1,,,,,I  
35,4,,X3177750000,, "SEAL 590",1,,,,,I



キャビンASSY  
 CABIN ASSY  
 172456-68400

項目NO. 55の見出しNO. 1は、  
 項目NO. 55の見出しNO. 2~44と  
 項目NO. 56の見出しNO. 1~28と  
 項目NO. 57の見出しNO. 1~31と  
 項目NO. 58の見出しNO. 1~35を含みます。

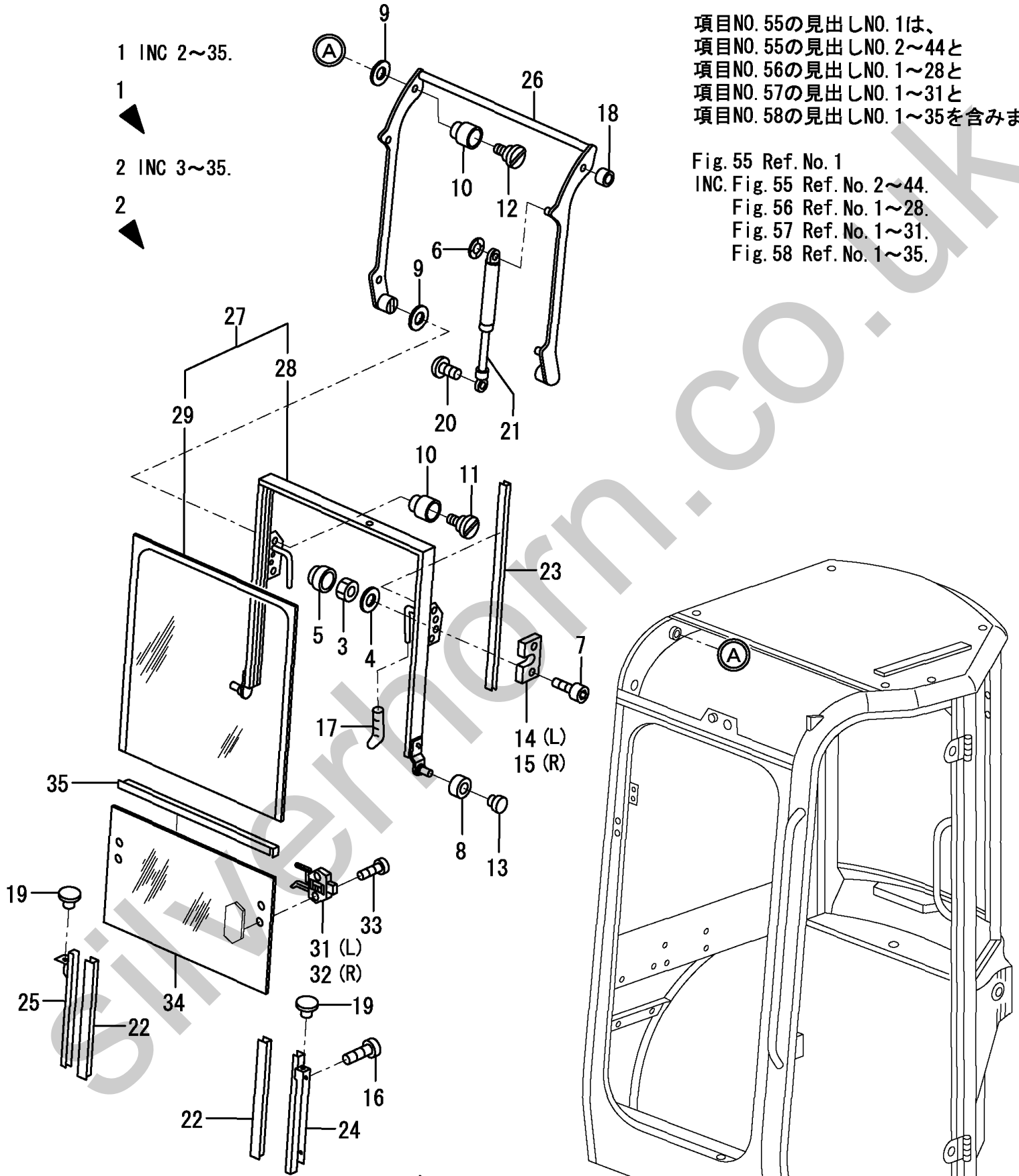
Fig. 55 Ref. No. 1  
 INC. Fig. 55 Ref. No. 2~44.  
 Fig. 56 Ref. No. 1~28.  
 Fig. 57 Ref. No. 1~31.  
 Fig. 58 Ref. No. 1~35.

1 INC 2~35.

1

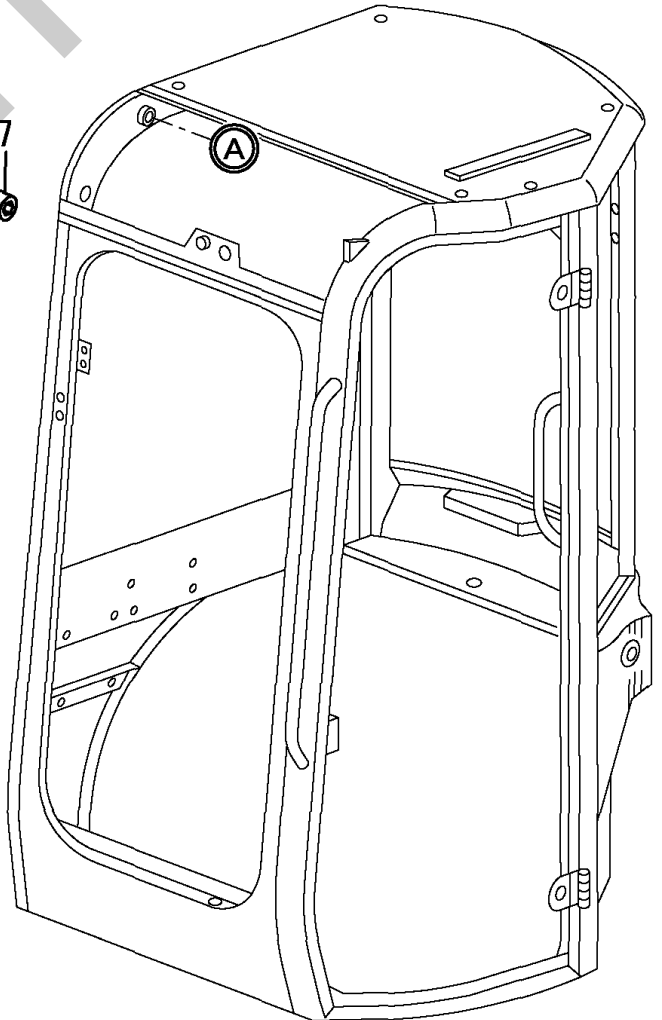
2 INC 3~35.

2



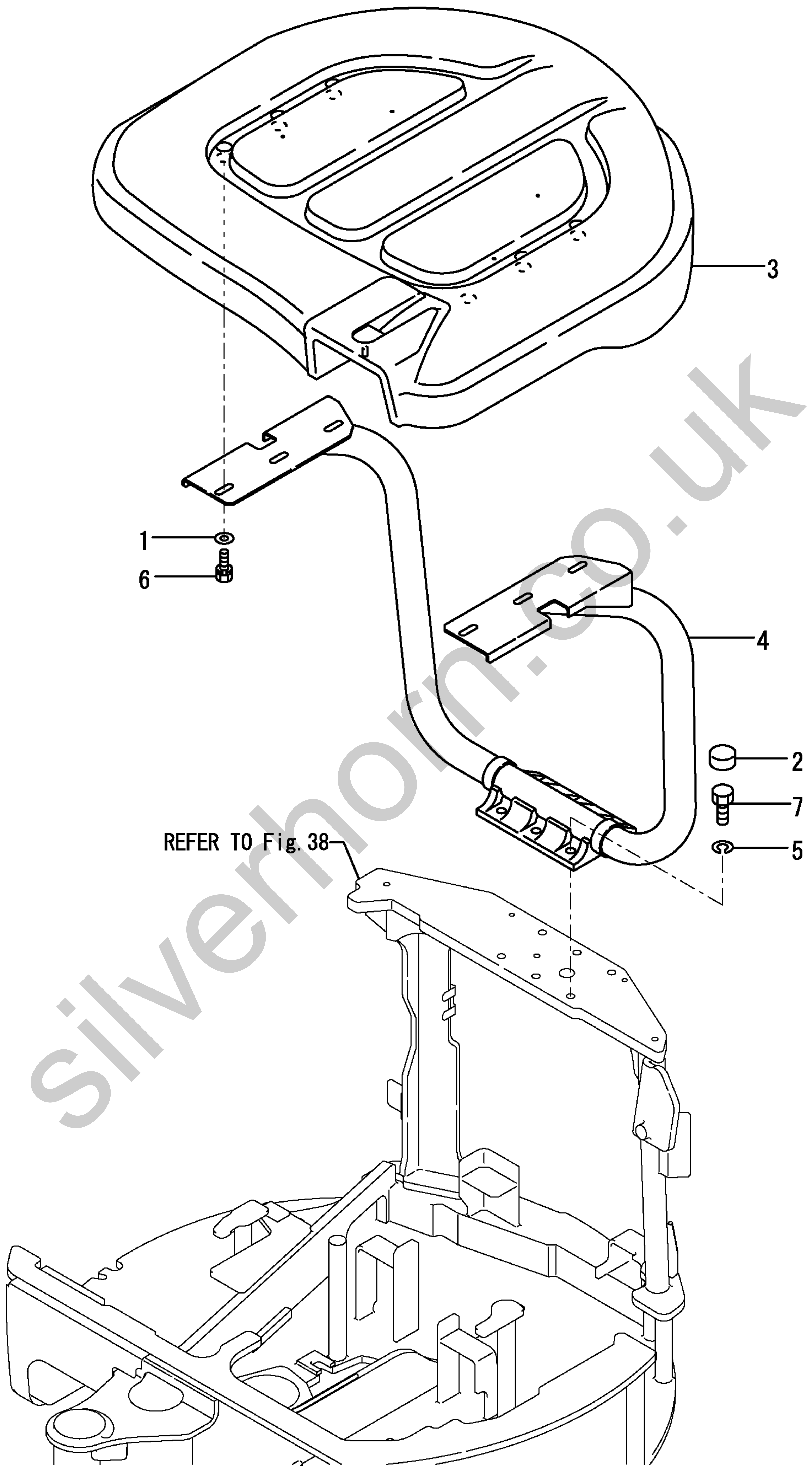
30

30 INC 31~35.



1,1,,172730-05250,, "WASHER 12" ,,6,,6,,,,,,,,,,,,,,,,,,,,,  
2,1,,172458-67090,, CAP,,6,,6,,,,,,,,,,,,,,,,,,,,,  
3,1,,172458-67100,, "ROOF ASSY,CANOPY" ,,1,,1,,,,,,,,,,,,,,,,,,,,,  
4,1,,172458-67110,, "POLE (WHITE:15)" ,,1,,1,,,,,,,,,,,,,,,,,,,,,  
5,1,,22217-160000,, "SPRING WASHER 16" ,,6,,6,,,,,,,,,,,,,,,,,,,,,  
6,1,,26013-120302,, "BOLT W/WASHER M12X30" ,,6,,6,,,,,,,,,,,,,,,,,,,,,  
7,1,,26076-160402,, "BOLT 10.9 16X40" ,,6,,6,,,,,,,,,,,,,,,,,,,,,

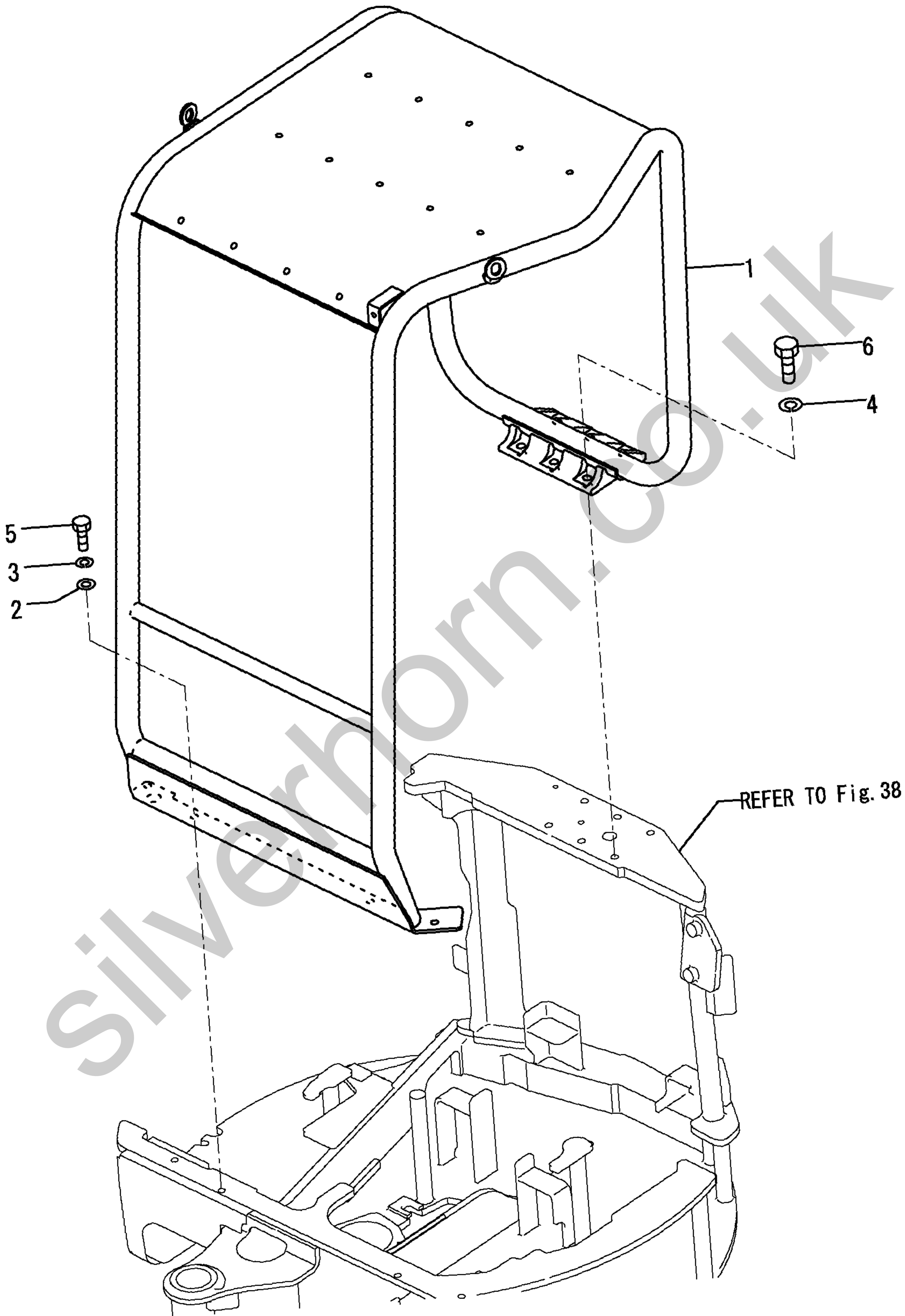
Silverhorn.CO.UK





1,1,,172469-66300,, "CANOPY,ROPS(GREEN:86" ,,1,,,,,,,,,,,,,,,,,,,,,  
2,1,,172149-66550,, WASHER,,4,,,,,,,,,,,,,,,,,,,,,  
3,1,,22217-120000,, "SPRING WASHER 12" ,,4,,,,,,,,,,,,,,,,,,,,,  
4,1,,22217-160000,, "SPRING WASHER 16" ,,6,,,,,,,,,,,,,,,,,,,,,  
5,1,,26076-120402,, "BOLT 10.9 12X 4" ,,4,,,,,,,,,,,,,,,,,,,,,  
6,1,,26076-160402,, "BOLT 10.9 16X40" ,,6,,,,,,,,,,,,,,,,,,,,,

Silverhorn.CO.UK

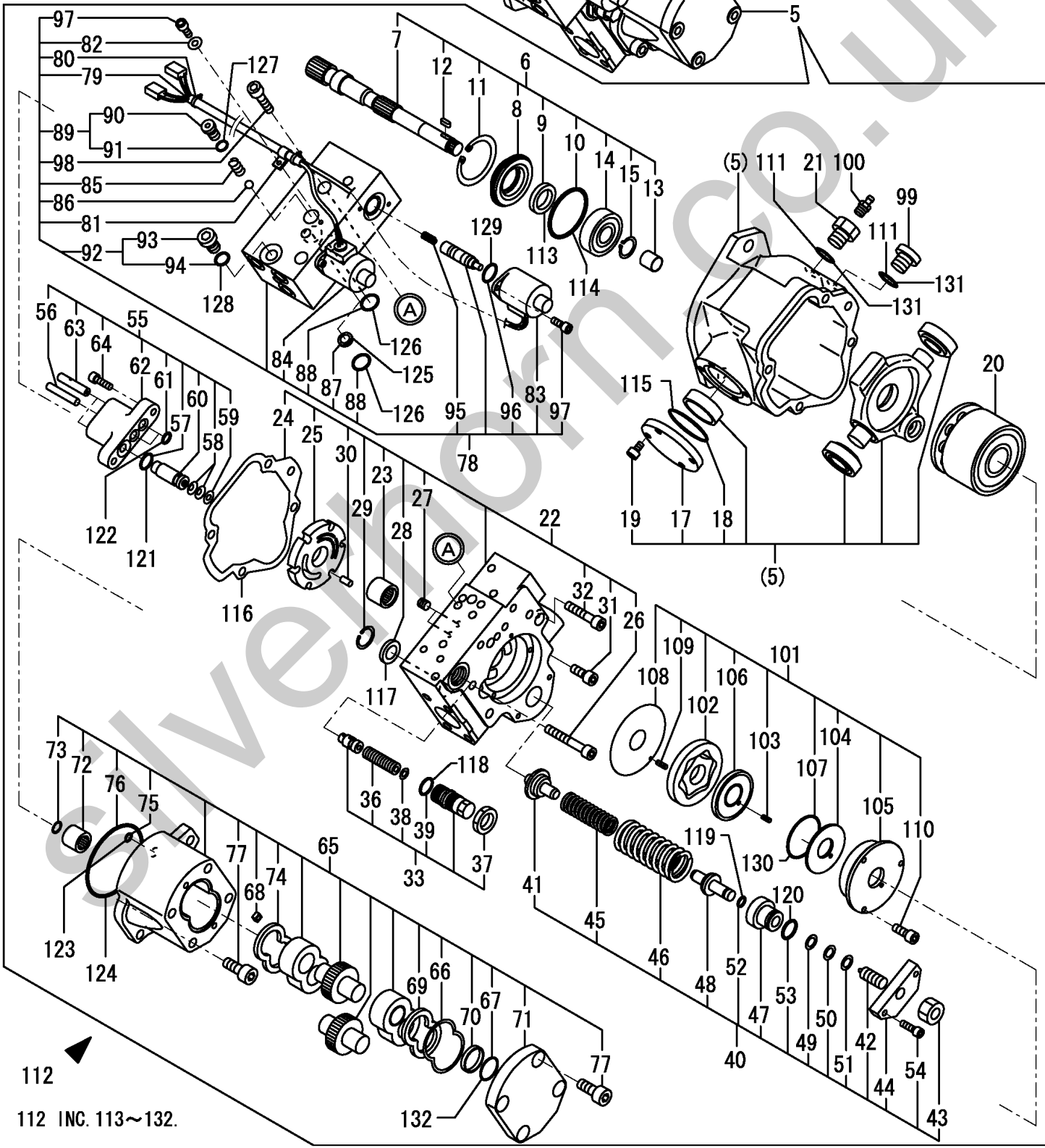
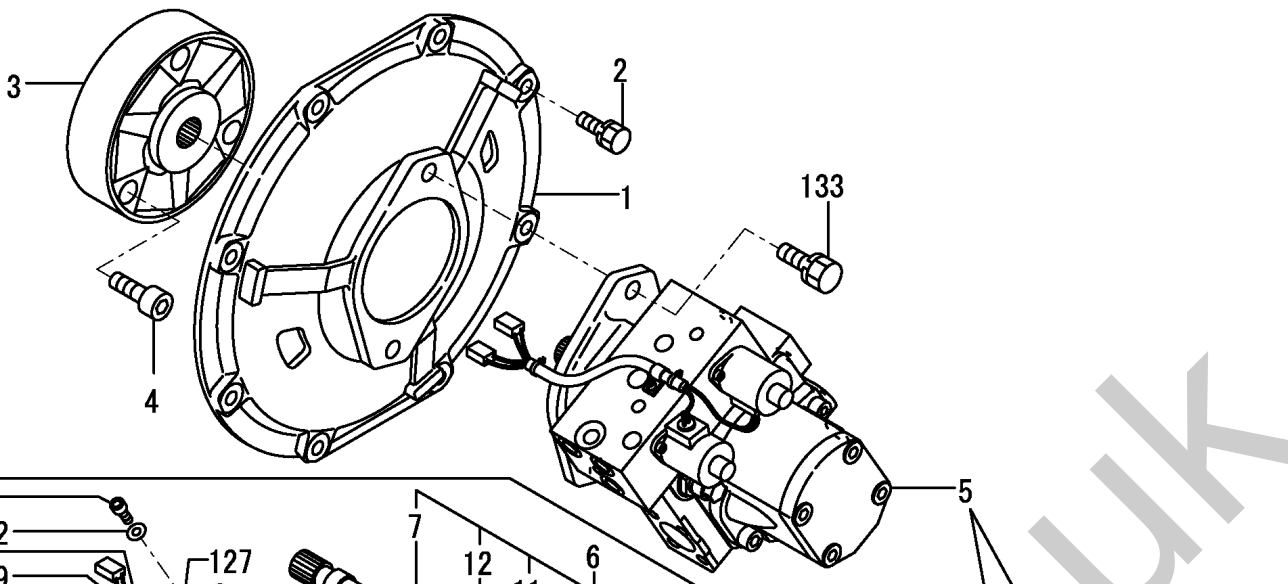


1,1,,172168-71101,, "COVER, FLYWHEEL (88)",1,1,,,,,,,,,,,,,,,,,,,,,  
2,1,,26013-100302,, "BOLT M10X 30",8,8,,,,,,,,,,,,,,,,,,,,,  
3,1,,172165-71200,, COUPLING,1,1,,,,,,,,,,,,,,,,,,,,,  
4,1,,26450-120402,, "BOLT M12X 40",3,3,,,,,,,,,,,,,,,,,,,,,  
5,1,,172456-73100,, "PUMP ASSY",1,1,,,,,,,,,,,,,,,,,,,,,  
6,2,,172456-73110,, "SHAFT ASSY",1,1,,,,,,,,,,,,,,,,,,,,,I  
7,3,,172456-73120,, SHAFT,1,1,,,,,,,,,,,,,,,,,,,,,I  
8,3,,172456-73130,, "CASE, SEAL",1,1,,,,,,,,,,,,,,,,,,,,,I  
9,3,,172456-73140,, "SEAL, OIL",1,1,,,,,,,,,,,,,,,,,,,,,I  
10,3,,172456-73150,, O-RING,1,1,,,,,,,,,,,,,,,,,,,,,I  
11,3,,172456-73160,, "CIRCLIP," ,1,1,,,,,,,,,,,,,,,,,,,,,I  
12,3,,172456-73170,, KEY,1,1,,,,,,,,,,,,,,,,,,,,,I  
13,3,,172456-73180,, "PIN BUSH",1,1,,,,,,,,,,,,,,,,,,,,,I  
14,3,,172179-73220,, "BEARING," ,1,1,,,,,,,,,,,,,,,,,,,,,I  
15,3,,22242-000200,, "CIRCLIP 20",1,1,,,,,,,,,,,,,,,,,,,,,I  
17,3,,172179-73250,, COVER,1,1,,,,,,,,,,,,,,,,,,,,,I  
18,3,,24321-000450,, "O-RING 1A G-45.0",1,1,,,,,,,,,,,,,,,,,,,,,I  
19,3,,26450-060122,, "BOLT M 6X 12",4,4,,,,,,,,,,,,,,,,,,,,,I  
20,2,,172179-73130,, "ROTORY SET",1,1,,,,,,,,,,,,,,,,,,,,,  
21,2,,172179-73190,, BUSHING,1,1,,,,,,,,,,,,,,,,,,,,,I  
22,2,,172456-73280,, "COVER ASSY",1,1,,,,,,,,,,,,,,,,,,,,,I  
23,3,,172179-73270,, BEARING,1,1,,,,,,,,,,,,,,,,,,,,,I  
24,3,,172179-73280,, GASKET,1,1,,,,,,,,,,,,,,,,,,,,,I  
25,3,,172456-73290,, "CONTROL PLATE",1,1,,,,,,,,,,,,,,,,,,,,,I  
26,3,,172650-73450,, "BOLT, 8X55HEX SOCKET",2,2,,,,,,,,,,,,,,,,,,,,,I  
27,3,,172456-73600,, ORIFICE,2,2,,,,,,,,,,,,,,,,,,,,,I  
28,3,,172456-73610,, FILTER,1,1,,,,,,,,,,,,,,,,,,,,,I  
29,3,,172164-73670,, "CIRCLIP," ,1,1,,,,,,,,,,,,,,,,,,,,,I  
30,3,,22312-060120,, "PARALLEL PIN 6X12",2,2,,,,,,,,,,,,,,,,,,,,,I  
31,3,,26450-080202,, "BOLT M 8X 20",2,2,,,,,,,,,,,,,,,,,,,,,I  
32,3,,26450-080402,, "BOLT 8X40",1,1,,,,,,,,,,,,,,,,,,,,,I  
33,2,,172164-73470,, "VALVE ASSY, RELIEF",1,1,,,,,,,,,,,,,,,,,,,,,I  
36,3,,172164-73380,, "SPRING, RETERN",1,1,,,,,,,,,,,,,,,,,,,,,I  
37,3,,172164-73390,, NUT,1,1,,,,,,,,,,,,,,,,,,,,,I  
38,3,,172164-73990,, SHIM,1,,,,,,,,,,,,,,,,,,,,,I  
38-1,3,,172164-73510,, "SEAT, SPRING",1,1,,,,,R,,,,,72168294,M/#21745,,,,,,,,,,,,,I  
39,3,,172141-74430,, O-RING,1,1,,,,,,,,,,,,,,,,,,,,,I  
40,2,,172456-73650,, "SPRING ASSY, CONTROL",1,1,,,,,,,,,,,,,,,,,,,,,I  
41,3,,172179-73400,, "STAY, SPRING",1,1,,,,,,,,,,,,,,,,,,,,,I  
42,3,,172179-73430,, "ADJUST SCREW",1,1,,,,,,,,,,,,,,,,,,,,,I  
43,3,,172179-73460,, "NUT M 6",1,1,,,,,,,,,,,,,,,,,,,,,I  
44,3,,172456-73660,, COVER,1,1,,,,,,,,,,,,,,,,,,,,,I  
45,3,,172456-73670,, SPRING,1,1,,,,,,,,,,,,,,,,,,,,,I  
46,3,,172456-73680,, SPRING,1,1,,,,,,,,,,,,,,,,,,,,,I  
47,3,,172456-73690,, "SPRING PLATE A",1,1,,,,,,,,,,,,,,,,,,,,,I  
48,3,,172456-73700,, "SPRING PLATE B",1,1,,,,,,,,,,,,,,,,,,,,,I  
49,3,,172456-73710,, SHIM,1,1,,,,,,,,,,,,,,,,,,,,,I  
50,3,,172456-73720,, SHIM,1,1,,,,,,,,,,,,,,,,,,,,,I  
51,3,,172456-73730,, SHIM,1,1,,,,,,,,,,,,,,,,,,,,,I  
52,3,,24311-000090,, "O-RING 1A P-9.0",1,1,,,,,,,,,,,,,,,,,,,,,I  
53,3,,24311-000180,, "O-RING 1A P-18.0",1,1,,,,,,,,,,,,,,,,,,,,,I  
54,3,,26450-060202,, "BOLT M 6X 20",1,1,,,,,,,,,,,,,,,,,,,,,I  
55,2,,172456-73740,, "PISTON ASSY, CONTROL",1,1,,,,,,,,,,,,,,,,,,,,,I  
56,3,,172168-71500,, "PARALLEL PIN",1,1,,,,,,,,,,,,,,,,,,,,,I  
57,3,,172168-71510,, O-RING,1,1,,,,,,,,,,,,,,,,,,,,,I  
58,3,,172168-71520,, "CONICAL SPRING",2,2,,,,,,,,,,,,,,,,,,,,,I  
59,3,,172168-71530,, RETAINER,1,1,,,,,,,,,,,,,,,,,,,,,I  
60,3,,172179-73510,, PISTON,1,1,,,,,,,,,,,,,,,,,,,,,I  
61,3,,172179-73540,, O-RING,2,2,,,,,,,,,,,,,,,,,,,,,I  
62,3,,172456-73750,, CYLINDER,1,1,,,,,,,,,,,,,,,,,,,,,I  
63,3,,172456-73770,, "PISTON, HYDRAULIC",2,2,,,,,,,,,,,,,,,,,,,,,I  
64,3,,26450-060202,, "BOLT M 6X 20",2,2,,,,,,,,,,,,,,,,,,,,,I  
65,2,,172456-73790,, "PUMP ASSY, GEAR",1,1,,,,,,,,,,,,,,,,,,,,,

66,3,,172141-71520,,RING,1,1,,,,,,,,,,,,,I  
67,3,,172141-71550,,O-RING,2,2,,,,,,,,,,,,,I  
68,3,,172141-71560,,RING,2,2,,,,,,,,,,,,,I  
69,3,,172141-73220,,PLATE,1,1,,,,,,,,,,,,,I  
70,3,,172141-73230,,GUIDE,2,2,,,,,,,,,,,,,I  
71,3,,172456-73800,,COVER,1,1,,,,,,,,,,,,,I  
72,3,,172456-73810,,JOINT,1,1,,,,,,,,,,,,,I  
73,3,,172456-73840,, "CIRCLIP," ,1,1,,,,,,,,,,,,,I  
74,3,,172456-73850,,BLADE,1,1,,,,,,,,,,,,,I  
75,3,,24315-000060,, "O-RING 1B P-6.0" ,1,1,,,,,,,,,,,,,I  
76,3,,24321-000900,, "O-RING 1A G-90.0" ,1,1,,,,,,,,,,,,,I  
77,3,,26450-100252,, "BOLT M10X 25" ,2,2,,,,,,,,,,,,,  
78,2,,172456-73860,, "VALVE ASSY" ,1,1,,,,,,,,,,,,,  
79,3,,172164-73030,, "COVER, SUPPORT" ,1,1,,,,,,,,,,,,,I  
80,3,,172164-73040,, "BAND, BINDER" ,2,2,,,,,,,,,,,,,I  
81,3,,172164-73490,,CLUMP,1,1,,,,,,,,,,,,,I  
82,3,,172164-73500,,WASHER,1,1,,,,,,,,,,,,,I  
83,3,,172456-73580,, "SOLENOID (A" ,1,1,,,,,W,,,,,72456268,M/#20501,,,,,I  
84,3,,172456-73590,, "SOLENOID (B" ,1,1,,,,,W,,,,,72456268,M/#20501,,,,,I  
85,3,,172456-73880,,SPRING,1,1,,,,,,,,,,,,,I  
86,3,,172456-73900,, "BALL, STEEL" ,1,1,,,,,,,,,,,,,I  
87,3,,172456-73930,, "ELEMENT,FILTER" ,1,1,,,,,,,,,,,,,I  
88,3,,172456-73960,,O-RING,2,2,,,,,,,,,,,,,I  
89,3,,172142-74590,,PLUG,1,1,,,,,,,,,,,,,I  
90,4,,172142-74650,, "PLUG 1/8" ,1,1,,,,,,,,,,,,,I  
91,4,,24315-000080,, "O-RING 1B P-8.0" ,1,1,,,,,,,,,,,,,I  
92,3,,172142-74600,,PLUG,1,1,,,,,,,,,,,,,I  
93,4,,172142-74660,, "PLUG 1/4" ,1,1,,,,,,,,,,,,,I  
94,4,,24315-000110,, "O-RING 1B P-11.0" ,1,1,,,,,,,,,,,,,I  
95,3,,172165-74740,,SPRING,2,2,,,,,,,,,,,,,I  
96,3,,24311-000160,, "O-RING 1A P-16.0" ,2,2,,,,,,,,,,,,,I  
97,3,,26450-040102,, "BOLT 4\* 10" ,5,5,,,,,,,,,,,,,I  
98,3,,26450-080302,, "BOLT M 8X 30" ,2,2,,,,,,,,,,,,,  
99,2,,172142-74670,, "PLUG, 3/8" ,1,1,,,,,,,,,,,,,I  
100,2,,172456-75430,,PLUG,1,1,,,,,,,,,,,,,I  
101,2,,172456-75440,, "PUMP ASSY, TROCHOID" ,1,1,,,,,,,,,,,,,I  
102,3,,172456-75450,,GEAR,1,1,,,,,,,,,,,,,I  
103,3,,172456-75460,, "PIN, SPRING" ,1,1,,,,,,,,,,,,,I  
104,3,,172456-75480,,BLADE,1,1,,,,,,,,,,,,,I  
105,3,,172187-75860,,CASE,1,1,,,,,,,,,,,,,I  
106,3,,172187-75870,, "PLATE A ,SIDE" ,1,1,,,,,,,,,,,,,I  
107,3,,172187-75880,,O-RING,1,1,,,,,,,,,,,,,I  
108,3,,172187-75910,, "PLATE B ,SIDE" ,1,1,,,,,,,,,,,,,I  
109,3,,172187-75920,, "PIN,SPRING" ,1,1,,,,,,,,,,,,,I  
110,3,,26450-050122,, "BOLT M 5X 12" ,3,3,,,,,,,,,,,,,I  
111,2,,24315-000140,, "O-RING 1B P-14.0" ,2,2,,,,,,,,,,,,,I  
112,1,,172456-73070,, "SEAL SET" ,1,1,,,,,,,,,,,,,  
113,2,,172456-73140,, "SEAL, OIL" ,1,1,,,,,,,,,,,,,  
114,2,,172456-73150,,O-RING,1,1,,,,,,,,,,,,,  
115,2,,24321-000450,, "O-RING 1A G-45.0" ,1,1,,,,,,,,,,,,,  
116,2,,172179-73280,,GASKET,1,1,,,,,,,,,,,,,  
117,2,,172456-73610,,FILTER,1,1,,,,,,,,,,,,,  
118,2,,172141-74430,,O-RING,1,1,,,,,,,,,,,,,  
119,2,,24311-000090,, "O-RING 1A P-9.0" ,1,1,,,,,,,,,,,,,  
120,2,,24311-000180,, "O-RING 1A P-18.0" ,1,1,,,,,,,,,,,,,  
121,2,,172168-71510,,O-RING,1,1,,,,,,,,,,,,,  
122,2,,172179-73540,,O-RING,2,2,,,,,,,,,,,,,  
123,2,,24315-000060,, "O-RING 1B P-6.0" ,1,1,,,,,,,,,,,,,  
124,2,,24321-000900,, "O-RING 1A G-90.0" ,1,1,,,,,,,,,,,,,  
125,2,,172456-73930,, "ELEMENT,FILTER" ,1,1,,,,,,,,,,,,,  
126,2,,172456-73960,,O-RING,2,2,,,,,,,,,,,,,  
127,2,,24315-000080,, "O-RING 1B P-8.0" ,1,1,,,,,,,,,,,,,  
128,2,,24315-000110,, "O-RING 1B P-11.0" ,1,1,,,,,,,,,,,,,

129,2,,24311-000160,, "O-RING 1A P-16.0",2,2,,,,,,,,,,,,,,,,,,,,,  
130,2,,172187-75880,, O-RING,1,1,,,,,,,,,,,,,,,,,,,,,  
131,2,,24315-000140,, "O-RING 1B P-14.0",2,2,,,,,,,,,,,,,,,,,,,,,  
132,2,,172141-71550,, O-RING,2,2,,,,,,,,,,,,,,,,,,,,,I  
133,1,,26013-120302,, "BOLT W/WASHER M12X30",2,2,,,,,,,,,,,,,,,,,,,,,

Silverhorn.CO.UK



112  
 112 INC. 113~132.

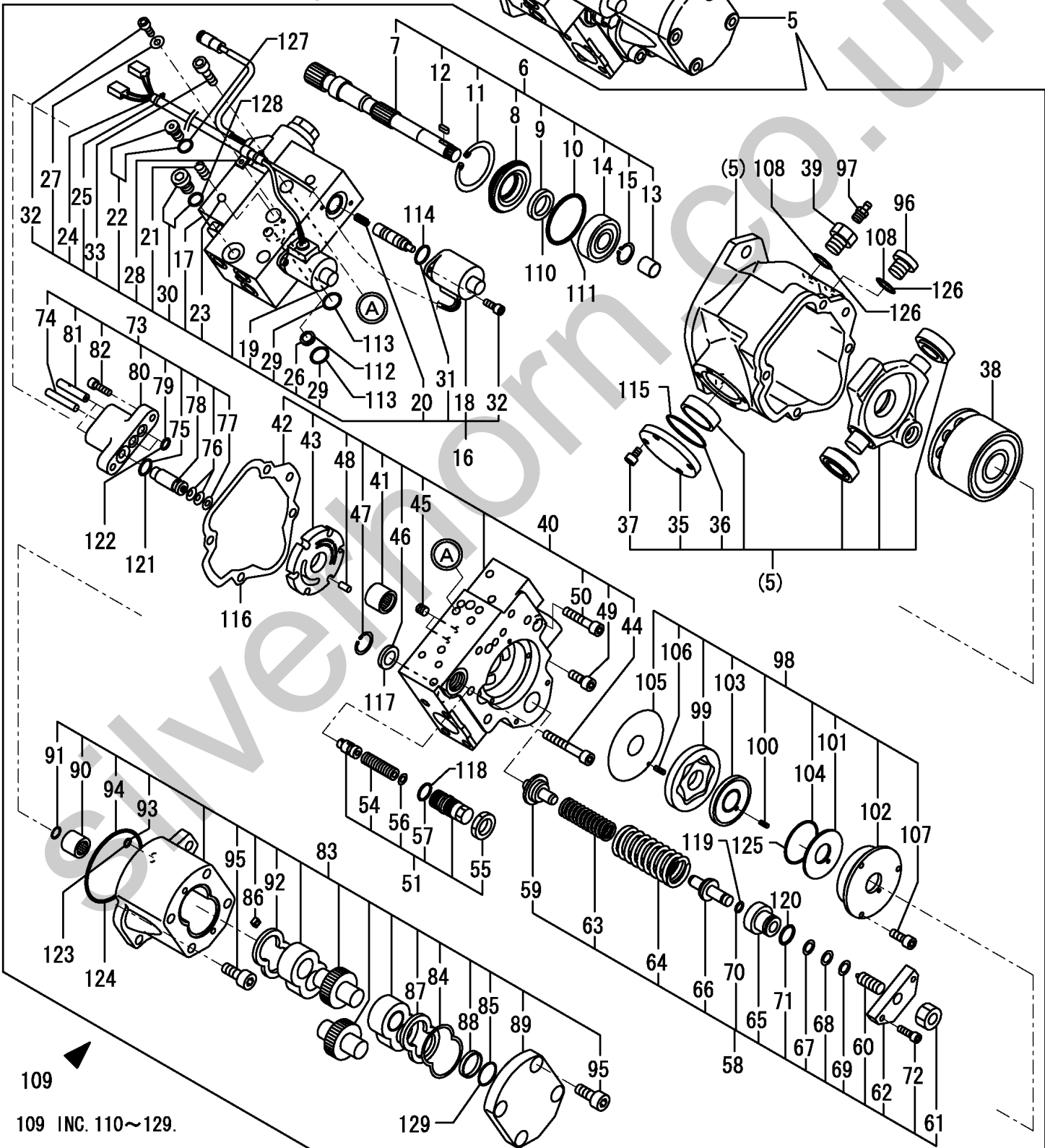
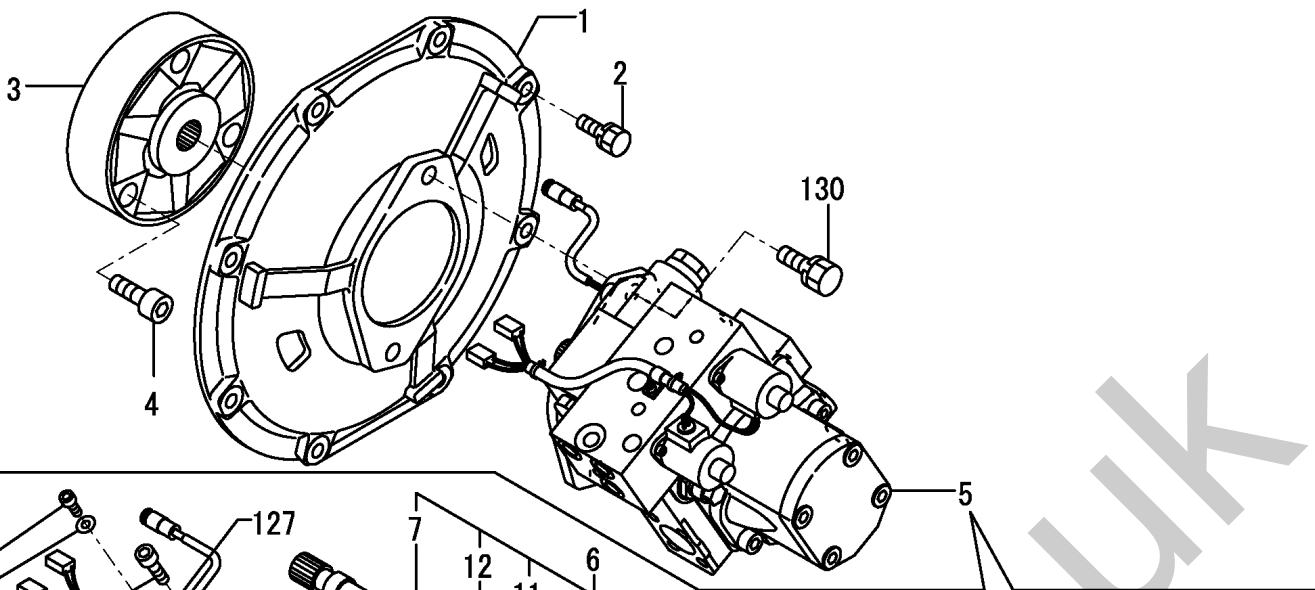
1,1,,172168-71101,, "COVER, FLYWHEEL (88)",1,1,1,,,,,,,,,,,,,  
2,1,,26013-100302,, "BOLT M10X 30",8,8,8,,,,,,,,,,,,,  
3,1,,172165-71200,, COUPLING,1,1,1,,,,,,,,,,,,,  
4,1,,26450-120402,, "BOLT M12X 40",3,3,3,,,,,,,,,,,,,  
5,1,,172956-73100,, "PUMP Q ASSY",1,1,1,,,,,,,,,,,,,  
6,2,,172456-73110,, "SHAFT ASSY",1,1,1,,,,,,,,,,,,,I  
7,3,,172456-73120,, SHAFT,1,1,1,,,,,,,,,,,,,I  
8,3,,172456-73130,, "CASE, SEAL",1,1,1,,,,,,,,,,,,,I  
9,3,,172456-73140,, "SEAL, OIL",1,1,1,,,,,,,,,,,,,I  
10,3,,172456-73150,, O-RING,1,1,1,,,,,,,,,,,,,I  
11,3,,172456-73160,, "CIRCLIP," ,1,1,1,,,,,,,,,,,,,I  
12,3,,172456-73170,, KEY,1,1,1,,,,,,,,,,,,,I  
13,3,,172456-73180,, "PIN BUSH",1,1,1,,,,,,,,,,,,,I  
14,3,,172179-73220,, "BEARING," ,1,1,1,,,,,,,,,,,,,I  
15,3,,22242-000200,, "CIRCLIP 20",1,1,1,,,,,,,,,,,,,I  
16,2,,172956-73110,, "VALVE ASSY",1,1,1,,,,,,,,,,,,,  
17,3,,172956-73120,, "MAGNETIC VALVE",,1,,,,,,,,,,,,,I  
17-1,3,,172956-73121,, "MAGNETIC VALVE",1,1,1,,R,,,72956031,M/#22138,,,,,,,,,I  
18,3,,172456-73580,, "SOLENOID (A",1,1,1,,W,,,72456268,M/#20501,,,,,,,,,I  
19,3,,172456-73590,, "SOLENOID (B",1,1,1,,W,,,72456268,M/#20501,,,,,,,,,I  
20,3,,172456-73870,, SPRING,2,2,,2,,,,,,,,,,,,,I  
21,3,,172456-73880,, SPRING,1,1,1,,,,,,,,,,,,,I  
22,3,,172456-73890,, "PLUG ASSY",1,1,1,,,,,,,,,,,,,I  
23,3,,172456-73900,, "BALL, STEEL",1,1,1,,,,,,,,,,,,,I  
24,3,,172456-73910,, COVER,1,1,1,,,,,,,,,,,,,I  
25,3,,172456-73920,, BAND,2,2,,2,,,,,,,,,,,,,I  
26,3,,172456-73930,, "ELEMENT, FILTER",1,1,1,,,,,,,,,,,,,I  
27,3,,172456-73940,, WASHER,1,1,1,,,,,,,,,,,,,I  
28,3,,172456-73950,, CLAMP,1,1,1,,,,,,,,,,,,,I  
29,3,,172456-73960,, O-RING,2,2,,2,,,,,,,,,,,,,I  
30,3,,172456-73970,, "PLUG ASSY",1,1,1,,,,,,,,,,,,,I  
31,3,,24311-000160,, "O-RING 1A P-16.0",2,2,,2,,,,,,,,,,,,,I  
32,3,,26450-040102,, "BOLT 4\* 10",5,5,5,,,,,,,,,,,,,I  
33,3,,26450-080302,, "BOLT M 8X 30",2,2,,2,,,,,,,,,,,,,  
35,3,,172179-73250,, COVER,1,1,1,,,,,,,,,,,,,I  
36,3,,24321-000450,, "O-RING 1A G-45.0",1,1,1,,,,,,,,,,,,,I  
37,3,,26450-060122,, "BOLT M 6X 12",4,4,,4,,,,,,,,,,,,,I  
38,2,,172179-73130,, "ROTORY SET",1,1,1,,,,,,,,,,,,,  
39,2,,172179-73190,, BUSHING,1,1,1,,,,,,,,,,,,,I  
40,2,,172456-73280,, "COVER ASSY",1,1,1,,,,,,,,,,,,,I  
41,3,,172179-73270,, BEARING,1,1,1,,,,,,,,,,,,,I  
42,3,,172179-73280,, GASKET,1,1,1,,,,,,,,,,,,,I  
43,3,,172456-73290,, "CONTROL PLATE",1,1,1,,,,,,,,,,,,,I  
44,3,,172650-73450,, "BOLT, 8X55HEX SOCKET",2,2,,2,,,,,,,,,,,,,I  
45,3,,172456-73600,, ORIFICE,2,2,,2,,,,,,,,,,,,,I  
46,3,,172456-73610,, FILTER,1,1,1,,,,,,,,,,,,,I  
47,3,,172164-73670,, "CIRCLIP," ,1,1,1,,,,,,,,,,,,,I  
48,3,,22312-060120,, "PARALLEL PIN 6X12",2,2,,2,,,,,,,,,,,,,I  
49,3,,26450-080202,, "BOLT M 8X 20",2,2,,2,,,,,,,,,,,,,I  
50,3,,26450-080402,, "BOLT 8X40",1,1,1,,,,,,,,,,,,,I  
51,2,,172164-73470,, "VALVE ASSY, RELIEF",1,1,1,,,,,,,,,,,,,I  
54,3,,172164-73380,, "SPRING, RETERN",1,1,1,,,,,,,,,,,,,I  
55,3,,172164-73390,, NUT,1,1,1,,,,,,,,,,,,,I  
56,3,,172164-73990,, SHIM,,1,,,,,,,,,,,,,I  
56-1,3,,172164-73510,, "SEAT, SPRING",1,1,1,,R,,,72168294,M/#21745,,,,,,,,,I  
57,3,,172141-74430,, O-RING,1,1,1,,,,,,,,,,,,,I  
58,2,,172456-73650,, "SPRING ASSY, CONTROL",1,1,1,,,,,,,,,,,,,I  
59,3,,172179-73400,, "STAY, SPRING",1,1,1,,,,,,,,,,,,,I  
60,3,,172179-73430,, "ADJUST SCREW",1,1,1,,,,,,,,,,,,,I  
61,3,,172179-73460,, "NUT M 6",1,1,1,,,,,,,,,,,,,I  
62,3,,172456-73660,, COVER,1,1,1,,,,,,,,,,,,,I  
63,3,,172456-73670,, SPRING,1,1,1,,,,,,,,,,,,,I  
64,3,,172456-73680,, SPRING,1,1,1,,,,,,,,,,,,,I

65,3,,172456-73690,, "SPRING PLATE A",1,1,,1,,,,,,,,,,,,,I  
66,3,,172456-73700,, "SPRING PLATE B",1,1,,1,,,,,,,,,,,,,I  
67,3,,172456-73710,, SHIM,1,1,,1,,,,,,,,,,,,,I  
68,3,,172456-73720,, SHIM,1,1,,1,,,,,,,,,,,,,I  
69,3,,172456-73730,, SHIM,1,1,,1,,,,,,,,,,,,,I  
70,3,,24311-000090,, "O-RING 1A P-9.0",1,1,,1,,,,,,,,,,,,,I  
71,3,,24311-000180,, "O-RING 1A P-18.0",1,1,,1,,,,,,,,,,,,,I  
72,3,,26450-060202,, "BOLT M 6X 20",1,1,,1,,,,,,,,,,,,,I  
73,2,,172456-73740,, "PISTON ASSY, CONTROL",1,1,,1,,,,,,,,,,,,,I  
74,3,,172168-71500,, "PARALLEL PIN",1,1,,1,,,,,,,,,,,,,I  
75,3,,172168-71510,, O-RING,1,1,,1,,,,,,,,,,,,,I  
76,3,,172168-71520,, "CONICAL SPRING",2,2,,2,,,,,,,,,,,,,I  
77,3,,172168-71530,, RETAINER,1,1,,1,,,,,,,,,,,,,I  
78,3,,172179-73510,, PISTON,1,1,,1,,,,,,,,,,,,,I  
79,3,,172179-73540,, O-RING,2,2,,2,,,,,,,,,,,,,I  
80,3,,172456-73750,, CYLINDER,1,1,,1,,,,,,,,,,,,,I  
81,3,,172456-73770,, "PISTON, HYDRAULIC",2,2,,2,,,,,,,,,,,,,I  
82,3,,26450-060202,, "BOLT M 6X 20",2,2,,2,,,,,,,,,,,,,I  
83,2,,172456-73790,, "PUMP ASSY, GEAR",1,1,,1,,,,,,,,,,,,,I  
84,3,,172141-71520,, RING,1,1,,1,,,,,,,,,,,,,I  
85,3,,172141-71550,, O-RING,2,2,,2,,,,,,,,,,,,,I  
86,3,,172141-71560,, RING,2,2,,2,,,,,,,,,,,,,I  
87,3,,172141-73220,, PLATE,1,1,,1,,,,,,,,,,,,,I  
88,3,,172141-73230,, GUIDE,2,2,,2,,,,,,,,,,,,,I  
89,3,,172456-73800,, COVER,1,1,,1,,,,,,,,,,,,,I  
90,3,,172456-73810,, JOINT,1,1,,1,,,,,,,,,,,,,I  
91,3,,172456-73840,, "CIRCLIP",1,1,,1,,,,,,,,,,,,,I  
92,3,,172456-73850,, BLADE,1,1,,1,,,,,,,,,,,,,I  
93,3,,24315-000060,, "O-RING 1B P-6.0",1,1,,1,,,,,,,,,,,,,I  
94,3,,24321-000900,, "O-RING 1A G-90.0",1,1,,1,,,,,,,,,,,,,I  
95,3,,26450-100252,, "BOLT M10X 25",2,2,,2,,,,,,,,,,,,,I  
96,2,,172142-74670,, "PLUG, 3/8",1,1,,1,,,,,,,,,,,,,I  
97,2,,172456-75430,, PLUG,1,1,,1,,,,,,,,,,,,,I  
98,2,,172456-75440,, "PUMP ASSY, TROCHOID",1,1,,1,,,,,,,,,,,,,I  
99,3,,172456-75450,, GEAR,1,1,,1,,,,,,,,,,,,,I  
100,3,,172456-75460,, "PIN, SPRING",1,1,,1,,,,,,,,,,,,,I  
101,3,,172456-75480,, BLADE,1,1,,1,,,,,,,,,,,,,I  
102,3,,172187-75860,, CASE,1,1,,1,,,,,,,,,,,,,I  
103,3,,172187-75870,, "PLATE A, SIDE",1,1,,1,,,,,,,,,,,,,I  
104,3,,172187-75880,, O-RING,1,1,,1,,,,,,,,,,,,,I  
105,3,,172187-75910,, "PLATE B, SIDE",1,1,,1,,,,,,,,,,,,,I  
106,3,,172187-75920,, "PIN, SPRING",1,1,,1,,,,,,,,,,,,,I  
107,3,,26450-050122,, "BOLT M 5X 12",3,3,,3,,,,,,,,,,,,,I  
108,2,,24315-000140,, "O-RING 1B P-14.0",2,2,,2,,,,,,,,,,,,,I  
109,1,,172456-73070,, "SEAL SET",1,1,,1,,,,,,,,,,,,,I  
110,2,,172456-73140,, "SEAL, OIL",1,1,,1,,,,,,,,,,,,,I  
111,2,,172456-73150,, O-RING,1,1,,1,,,,,,,,,,,,,I  
112,2,,172456-73930,, "ELEMENT, FILTER",1,1,,1,,,,,,,,,,,,,I  
113,2,,172456-73960,, O-RING,2,2,,2,,,,,,,,,,,,,I  
114,2,,24311-000160,, "O-RING 1A P-16.0",2,2,,2,,,,,,,,,,,,,I  
115,2,,24321-000450,, "O-RING 1A G-45.0",1,1,,1,,,,,,,,,,,,,I  
116,2,,172179-73280,, GASKET,1,1,,1,,,,,,,,,,,,,I  
117,2,,172456-73610,, FILTER,1,1,,1,,,,,,,,,,,,,I  
118,2,,172141-74430,, O-RING,1,1,,1,,,,,,,,,,,,,I  
119,2,,24311-000090,, "O-RING 1A P-9.0",1,1,,1,,,,,,,,,,,,,I  
120,2,,24311-000180,, "O-RING 1A P-18.0",1,1,,1,,,,,,,,,,,,,I  
121,2,,172168-71510,, O-RING,1,1,,1,,,,,,,,,,,,,I  
122,2,,172179-73540,, O-RING,2,2,,2,,,,,,,,,,,,,I  
123,2,,24315-000060,, "O-RING 1B P-6.0",1,1,,1,,,,,,,,,,,,,I  
124,2,,24321-000900,, "O-RING 1A G-90.0",1,1,,1,,,,,,,,,,,,,I  
125,2,,172187-75880,, O-RING,1,1,,1,,,,,,,,,,,,,I  
126,2,,24315-000140,, "O-RING 1B P-14.0",2,2,,2,,,,,,,,,,,,,I  
127,2,,24315-000080,, "O-RING 1B P-8.0",1,1,,1,,,,,,,,,,,,,I



128,2,,24315-000110,, "O-RING 1B P-11.0",1,1,,1,,,,,,,,,,,,,  
129,2,,172141-71550,, O-RING,2,2,,2,,,,,,,,,,,,,I  
130,1,,26013-120302,, "BOLT W/WASHER M12X30",2,2,,2,,,,,,,,,,,,,

Silverhorn.CO.UK

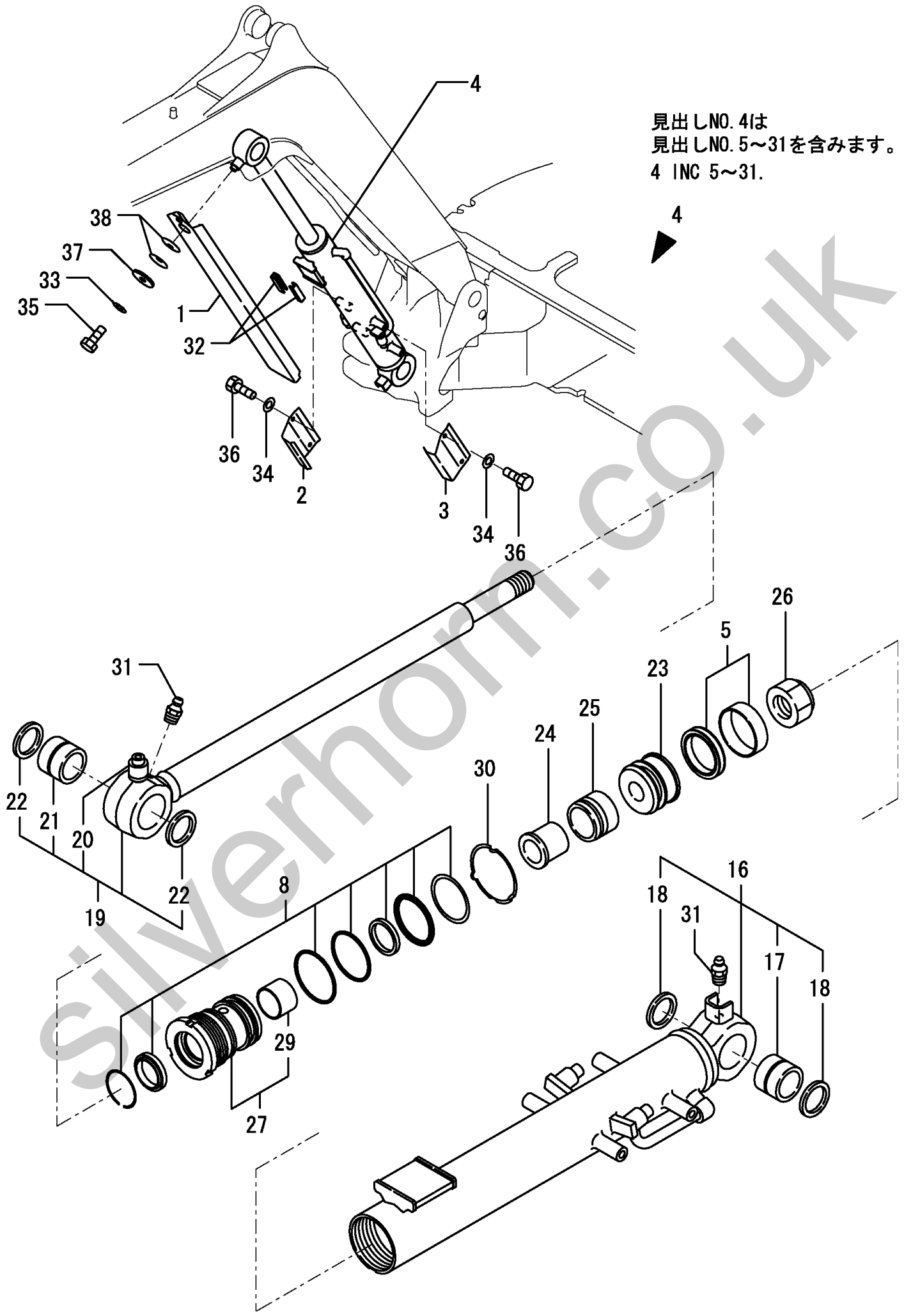


109

109 INC. 110~129.

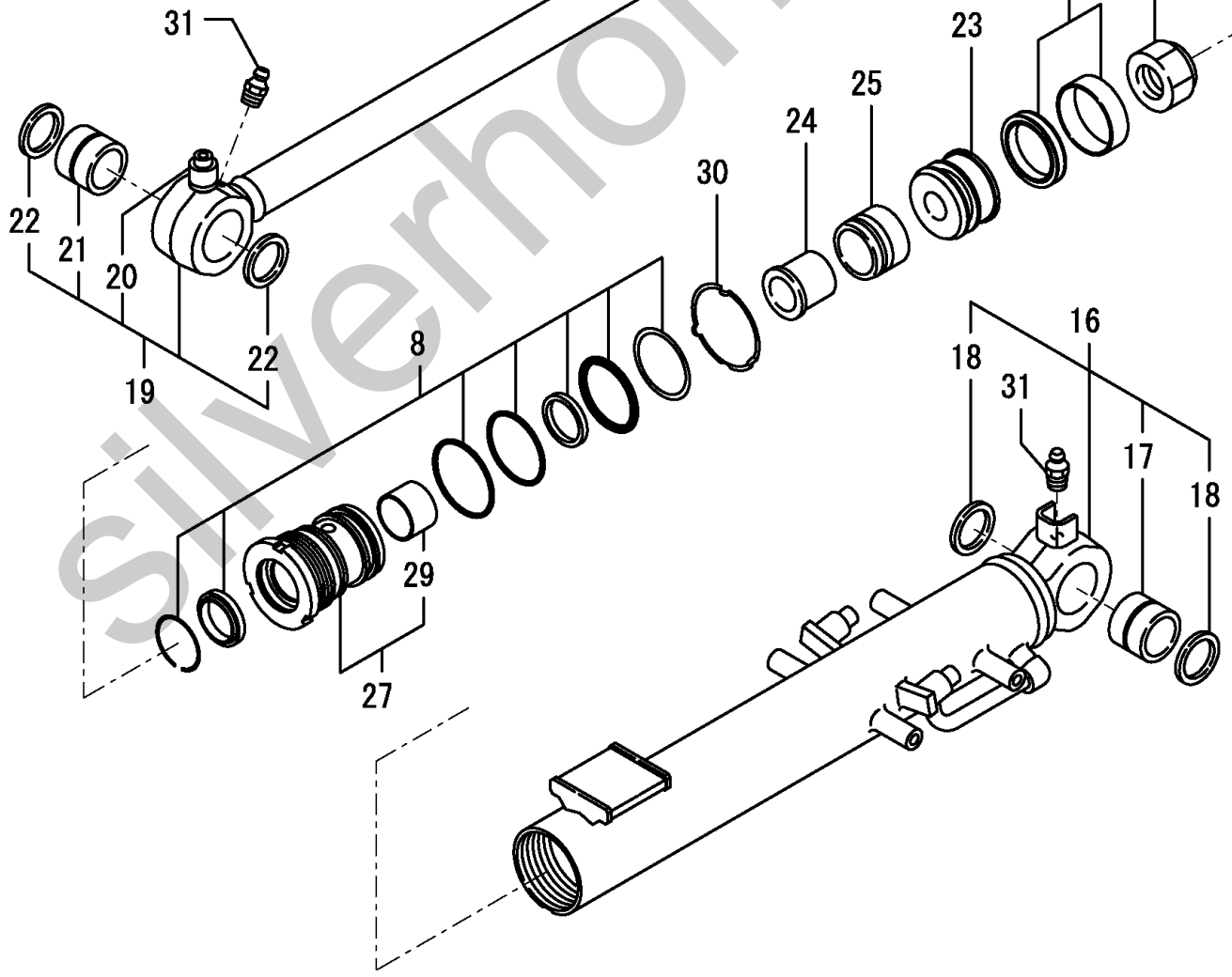
1,1,,172456-72200,, "COVER,SLIDE(GREEN:97)",1,1,,,,,,,,,,,,,,,,,  
2,1,,172457-72230,, "COVER R,BOOM-CYL(97)",1,1,,,,,,,,,,,,,,,,,  
3,1,,172457-72240,, "COVER L BOOM-CYL(97)",1,1,,,,,,,,,,,,,,,,,  
4,1,,172469-72400,, "CYLINDER ASSY,BOOM C",1,1,,,,,,,,,,,,,,,,,  
5,2,,172143-72010,, "SEAL SET,PISTON 70",,1,,,,,,,,,,,,,,,,,  
5-1,2,,172460-72070,, "SEAL SET",1,1,,,,,N,,,,,72958068,M/#21915,,,,,,I  
8,2,,172456-72010,, "SEAL SET 70\*40,HEAD",1,1,,,,,,,,,,,,,,,,,  
16,2,,172456-72110,, "TUBE,BOOM (GREEN:97)",1,1,,,,,,,,,,,,,,,,,  
17,3,,172168-72410,, "BUSH 40X50X40",1,1,,,,,,,,,,,,,,,,,  
18,3,,172165-81750,, "SEAL 40X50X5, DUST",,2,,,,,,,,,,,,,,,,,  
18-1,3,,172448-72650,, "SEAL  
40X50X4,DUST",2,2,,,,,R,,,,,72449038,M/#21808,,,,,,I  
19,2,,172456-72130,, "LOD ASSY,BOOM 40",1,1,,,,,,,,,,,,,,,,,  
20,3,,172168-72390,, "SEAT,SCREW  
M10X34.3",1,1,,,,,W,,,,,72458525,M/#20501,,,,,,I  
21,3,,172168-72410,, "BUSH 40X50X40",1,1,,,,,,,,,,,,,,,,,  
22,3,,172165-81750,, "SEAL 40X50X5, DUST",,2,,,,,,,,,,,,,,,,,  
22-1,3,,172448-72650,, "SEAL  
40X50X4,DUST",2,2,,,,,R,,,,,72449038,M/#21808,,,,,,I  
23,2,,172456-72190,, "PISTON 70 27",1,1,,,,,,,,,,,,,,,,,  
24,2,,172457-72190,, "COLLAR 27 38,CUSHON",1,1,,,,,,,,,,,,,,,,,  
25,2,,172457-72200,, "PLUNGER 50,CUSHON",1,1,,,,,,,,,,,,,,,,,  
26,2,,172141-72250,, "U-NUT M27",1,1,,,,,,,,,,,,,,,,,  
27,2,,172469-72410,, "HEAD ASSY,70 40",1,1,,,,,,,,,,,,,,,,,  
29,3,,933135-14600,, "BUSH 40 30, ROD",,1,,,,,,,,,,,,,,,,,  
29-1,3,,24550-040300,, "BUSH 40X30",1,1,,,,,R,,,,,A1686116,M/#21581,,,,,,I  
30,2,,172141-72420,, "WASHER 70, LOCK",1,1,,,,,,,,,,,,,,,,,  
31,2,,24761-020000,, "NIPPLE PT1/8,GREASE",2,2,,,,,,,,,,,,,,,,,  
32,1,,172186-72480,, "GUIDE,SLIDE",2,2,,,,,,,,,,,,,,,,,  
33,1,,22217-100000,, "SPRING WASHER 10",1,1,,,,,,,,,,,,,,,,,  
34,1,,22217-100000,, "SPRING WASHER 10",4,4,,,,,,,,,,,,,,,,,  
35,1,,26116-100162,, "BOLT M10X 16 PLATED",1,1,,,,,,,,,,,,,,,,,  
36,1,,26116-100162,, "BOLT M10X 16 PLATED",4,4,,,,,,,,,,,,,,,,,  
37,1,,933147-03400,, "WASHER, BRAKE ARM",1,1,,,,,,,,,,,,,,,,,  
38,1,,933168-14170,, "SPRING 16",2,2,,,,,,,,,,,,,,,,,





見出しNO. 4は  
見出しNO. 5~31を含みます。  
4 INC 5~31.

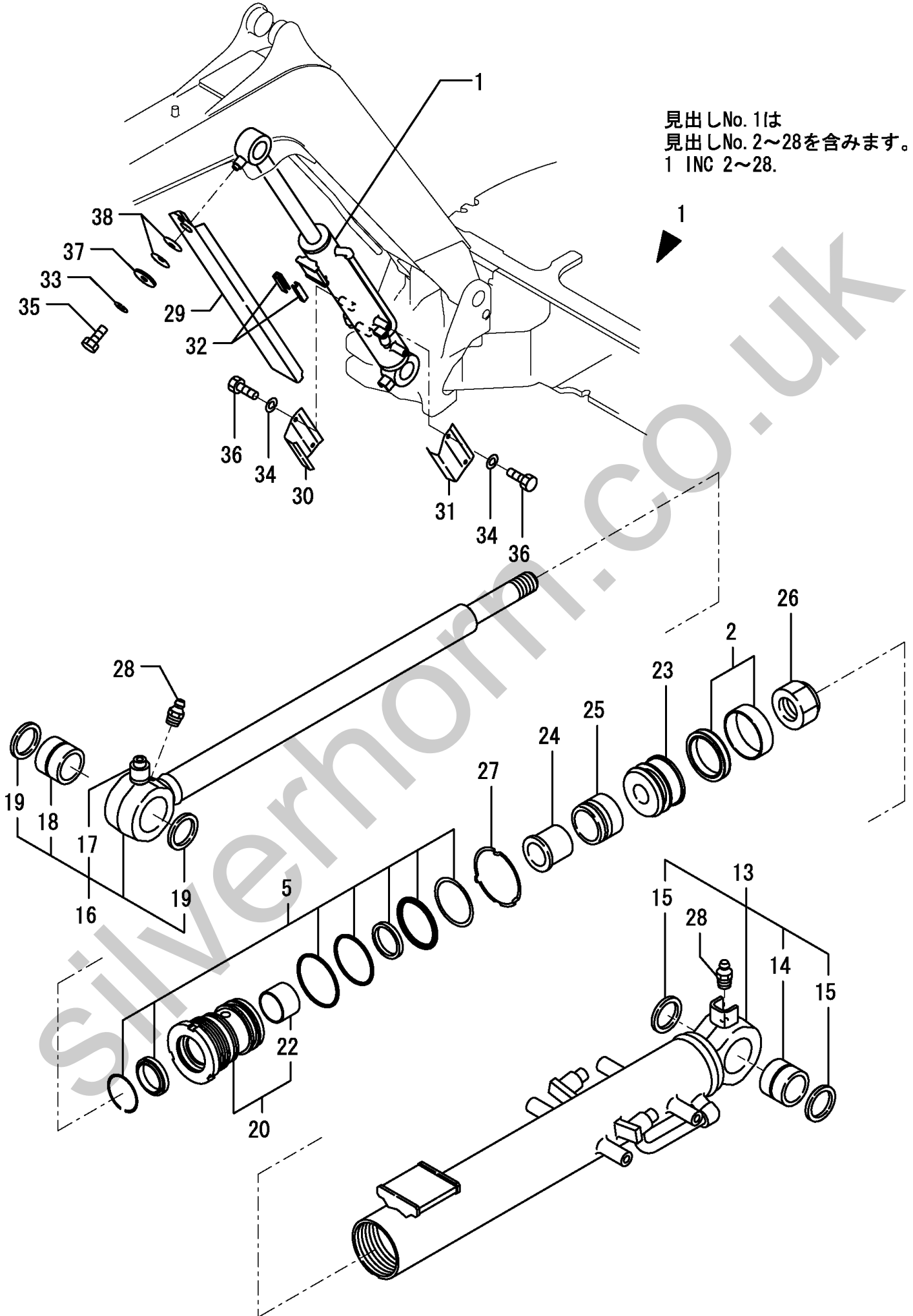
4



1,1,,172456-72100,, "CYLINDER,BOOM (97)",,1,1,,,,,,,,,,,,,  
 2,2,,172143-72010,, "SEAL SET,PISTON 70",,1,,,,,,,,,,,,,  
 2-1,2,,172460-72070,, "SEAL SET",,1,1,,N,,,,,72458500,M/#21813,,,,,,,,,I  
 5,2,,172456-72010,, "SEAL SET 70\*40,HEAD",,1,1,,,,,,,,,,,,,  
 13,2,,172456-72110,, "TUBE,BOOM (GREEN:97)",,1,1,,,,,,,,,,,,,  
 14,3,,172168-72410,, "BUSH 40X50X40",,1,1,,,,,,,,,,,,,  
 15,3,,172165-81750,, "SEAL 40X50X5, DUST",,2,,,,,,,,,,,,,  
 15-1,3,,172448-72650,, "SEAL  
 40X50X4,DUST",,2,2,,R,,,,,72449038,M/#21808,,,,,,,,,I  
 16,2,,172456-72130,, "LOD ASSY,BOOM 40",,1,1,,,,,,,,,,,,,  
 17,3,,172168-72390,, "SEAT,SCREW  
 M10X34.3",,1,1,,W,,,,,72458525,M/#20501,,,,,,,,,I  
 18,3,,172168-72410,, "BUSH 40X50X40",,1,1,,,,,,,,,,,,,  
 19,3,,172165-81750,, "SEAL 40X50X5, DUST",,2,,,,,,,,,,,,,  
 19-1,3,,172448-72650,, "SEAL  
 40X50X4,DUST",,2,2,,R,,,,,72449038,M/#21808,,,,,,,,,I  
 20,2,,172456-72170,, "HEAD ASSY 70 40",,1,1,,,,,,,,,,,,,  
 22,3,,933135-14600,, "BUSH 40 30, ROD",,1,,,,,,,,,,,,,  
 22-1,3,,24550-040300,, "BUSH 40X30",,1,1,,R,,,,,A1686116,M/#21581,,,,,,,,,I  
 23,2,,172456-72190,, "PISTON 70 27",,1,1,,,,,,,,,,,,,  
 24,2,,172457-72190,, "COLLAR 27 38,CUSHON",,1,1,,,,,,,,,,,,,  
 25,2,,172457-72200,, "PLUNGER 50,CUSHON",,1,1,,,,,,,,,,,,,  
 26,2,,172141-72250,, "U-NUT M27",,1,1,,,,,,,,,,,,,  
 27,2,,172141-72420,, "WASHER 70, LOCK",,1,1,,,,,,,,,,,,,  
 28,2,,24761-020000,, "NIPPLE PT1/8,GREASE",,2,2,,,,,,,,,,,,,  
 29,1,,172456-72200,, "COVER,SLIDE(GREEN:97",,1,1,,,,,,,,,,,,,  
 30,1,,172457-72230,, "COVER R,BOOM-CYL(97)",,1,1,,,,,,,,,,,,,  
 31,1,,172457-72240,, "COVER L BOOM-CYL(97)",,1,1,,,,,,,,,,,,,  
 32,1,,172186-72480,, "GUIDE,SLIDE",,2,2,,,,,,,,,,,,,  
 33,1,,22217-100000,, "SPRING WASHER 10",,1,1,,,,,,,,,,,,,  
 34,1,,22217-100000,, "SPRING WASHER 10",,4,4,,,,,,,,,,,,,  
 35,1,,26116-100162,, "BOLT M10X 16 PLATED",,1,1,,,,,,,,,,,,,  
 36,1,,26116-100162,, "BOLT M10X 16 PLATED",,4,4,,,,,,,,,,,,,  
 37,1,,933147-03400,, "WASHER, BRAKE ARM",,1,1,,,,,,,,,,,,,  
 38,1,,933168-14170,, "SPRING 16",,2,2,,,,,,,,,,,,,

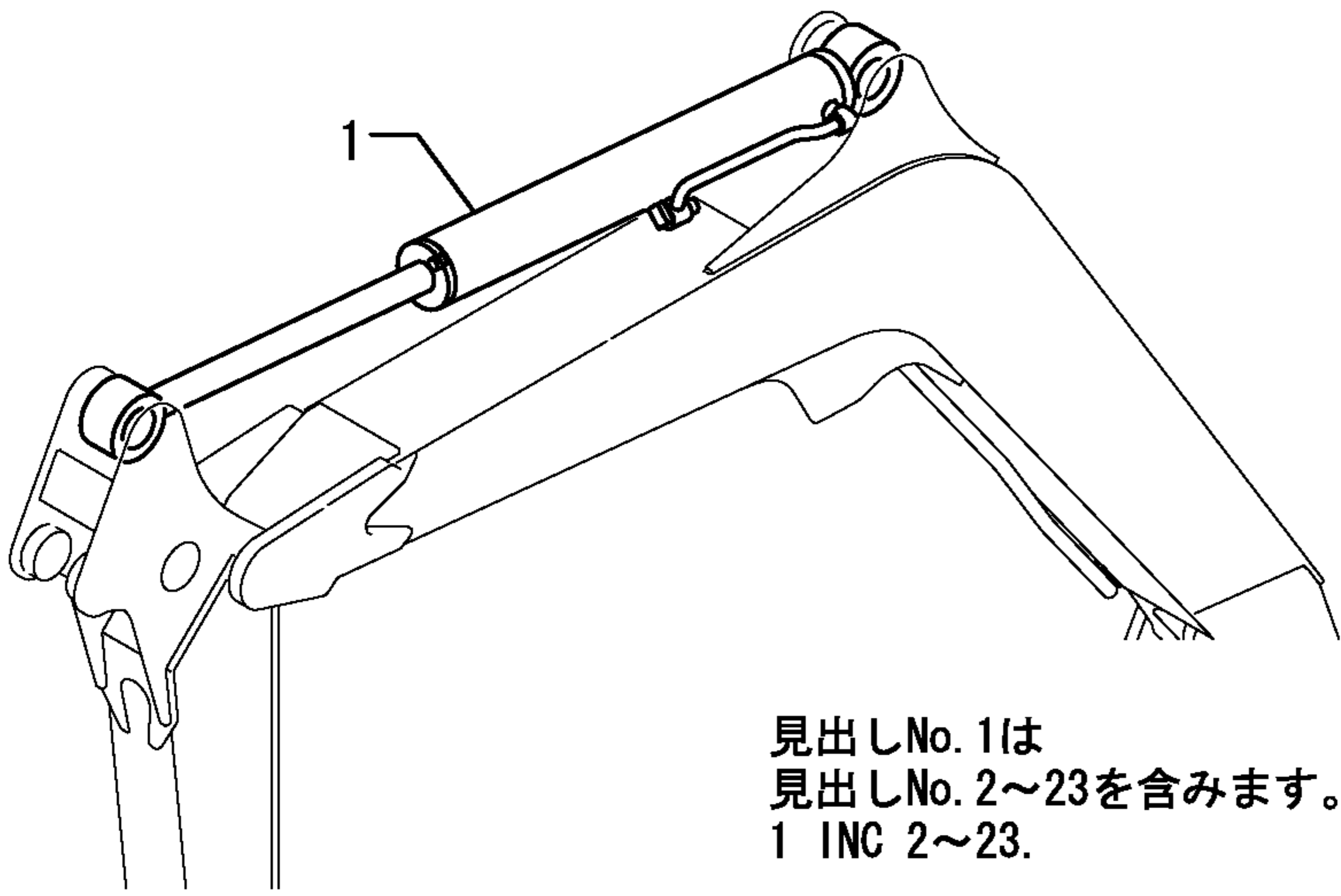


見出しNo. 1は  
見出しNo. 2~28を含みます。  
1 INC 2~28.

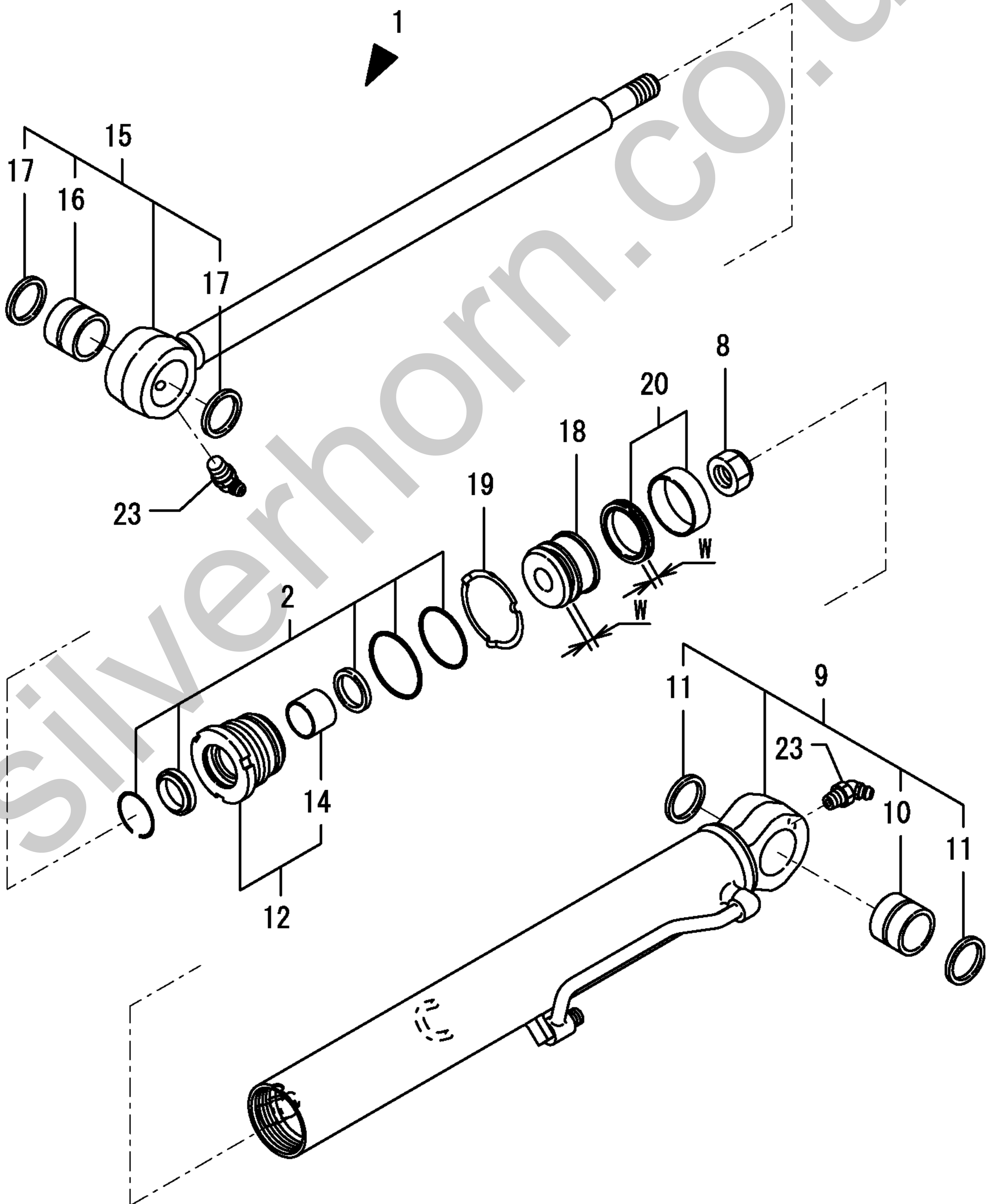


1,1,,172456-72300,, "CYLINDER,ARM(GREEN97",1,1,,1,,,,,,,,,,,,,  
2,2,,172456-72020,, "SEAL SET 65\*35,HEAD",1,1,,1,,,,,,,,,,,,,  
8,2,,172171-72130,, "U-NUT M24",1,1,,1,,,,,,,,,,,,,  
9,2,,172456-72310,, "TUBE,ARM (GREEN:97)",1,1,,1,,,,,,,,,,,,,  
10,3,,172168-72410,, "BUSH 40X50X40",1,1,,1,,,,,,,,,,,,,  
11,3,,172165-81750,, "SEAL 40X50X5, DUST",,2,,,,,,,,,,,,,  
11-1,3,,172448-72650,, "SEAL 40X50X4,DUST",2,2,,2,,R,,72449038,M/#21808,,,,,  
12,2,,172173-72330,, "HEAD ASSY, 65 35",1,1,,1,,,,,,,,,,,,,  
14,3,,933111-01600,, "BUSH 35 30, ROD",,1,,,,,,,,,,,,,  
14-1,3,,24550-035300,, "BUSH 35X30",1,1,,1,,R,,A1686116,M/#21581,,,,,  
15,2,,172456-72330,, "LOD ASSY,ARM",1,1,,1,,,,,,,,,,,,,  
16,3,,172168-72410,, "BUSH 40X50X40",1,1,,1,,,,,,,,,,,,,  
17,3,,172165-81750,, "SEAL 40X50X5, DUST",,2,,,,,,,,,,,,,  
17-1,3,,172448-72650,, "SEAL 40X50X4,DUST",2,2,,2,,R,,72449038,M/#21808,,,,,  
18,2,,172173-72351,, "PISTON 65 24",,1,,,,,,,,,,,,,  
18-1,2,,172173-72352,, "PISTON 65 24",1,1,,1,,S,1,,72458500,M/#21813,,,,,  
19,2,,172142-72560,, "WASHER 65, LOCK",1,1,,1,,,,,,,,,,,,,  
20,2,,172148-72940,, "SEAL SET, PISTON",,1,,,,,,,,,,,,,  
20-1,2,,172148-72941,, "PISTON SEAL  
SET,BUCK",1,1,,1,,F,2,,72458500,M/#21813,,,,,I  
23,2,,24761-040000,, "NIPPLE B,GREASE",2,2,,2,,,,,,,,,,,,,



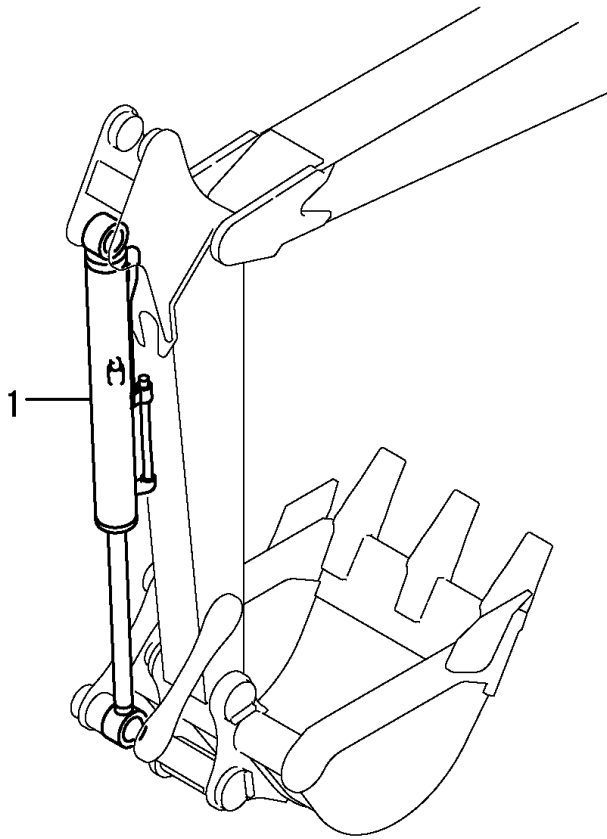


見出しNo. 1は  
見出しNo. 2~23を含みます。  
1 INC 2~23.

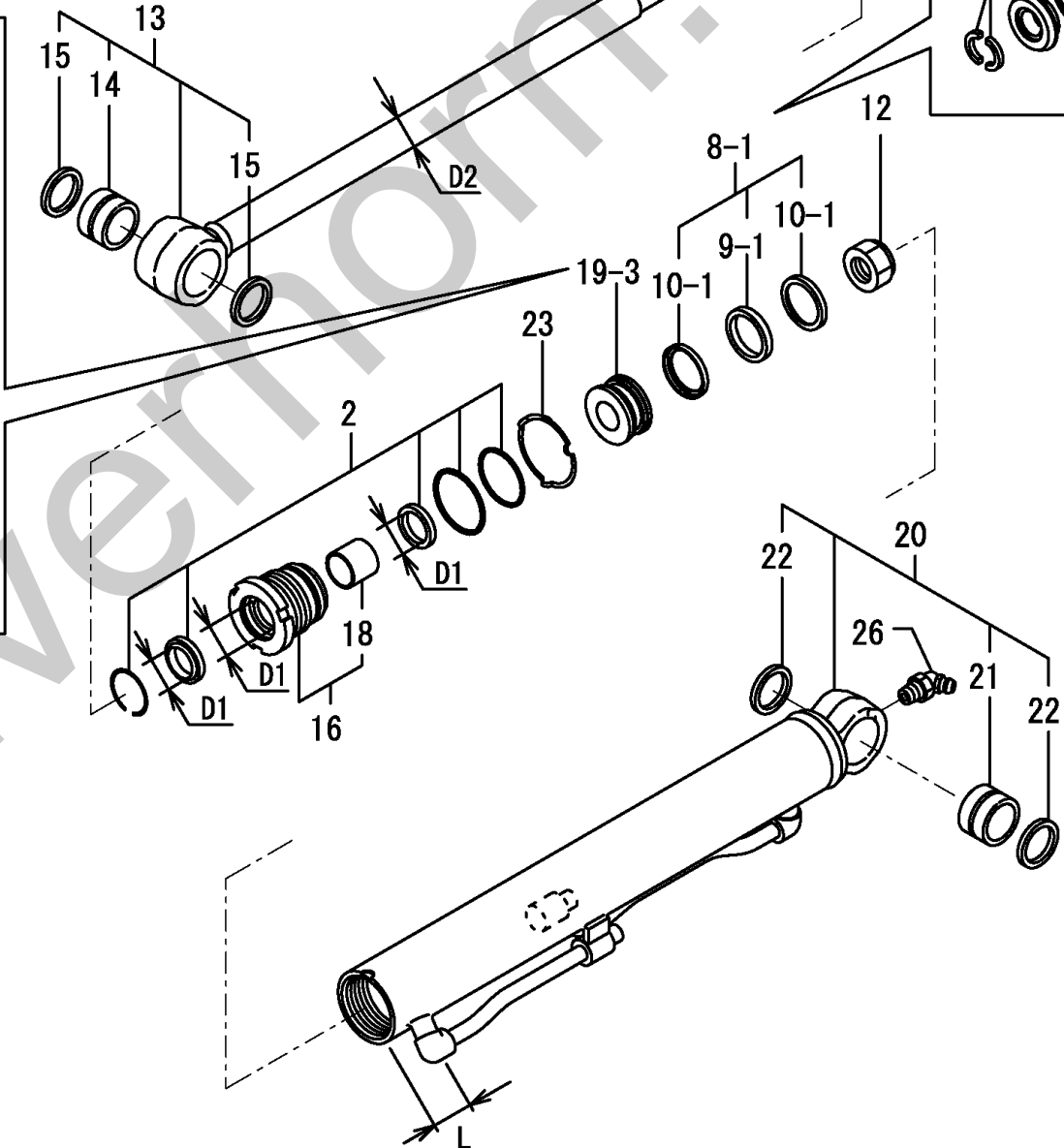
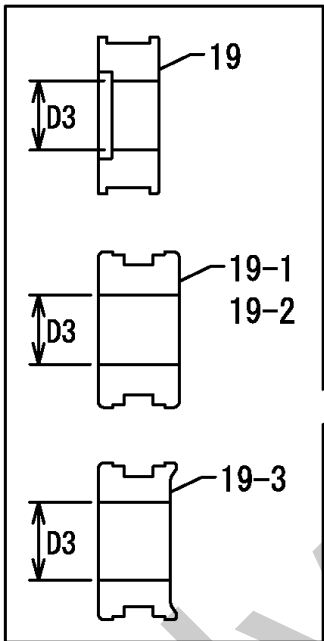
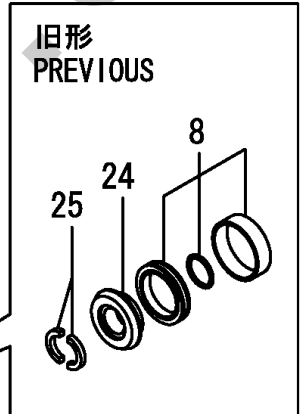




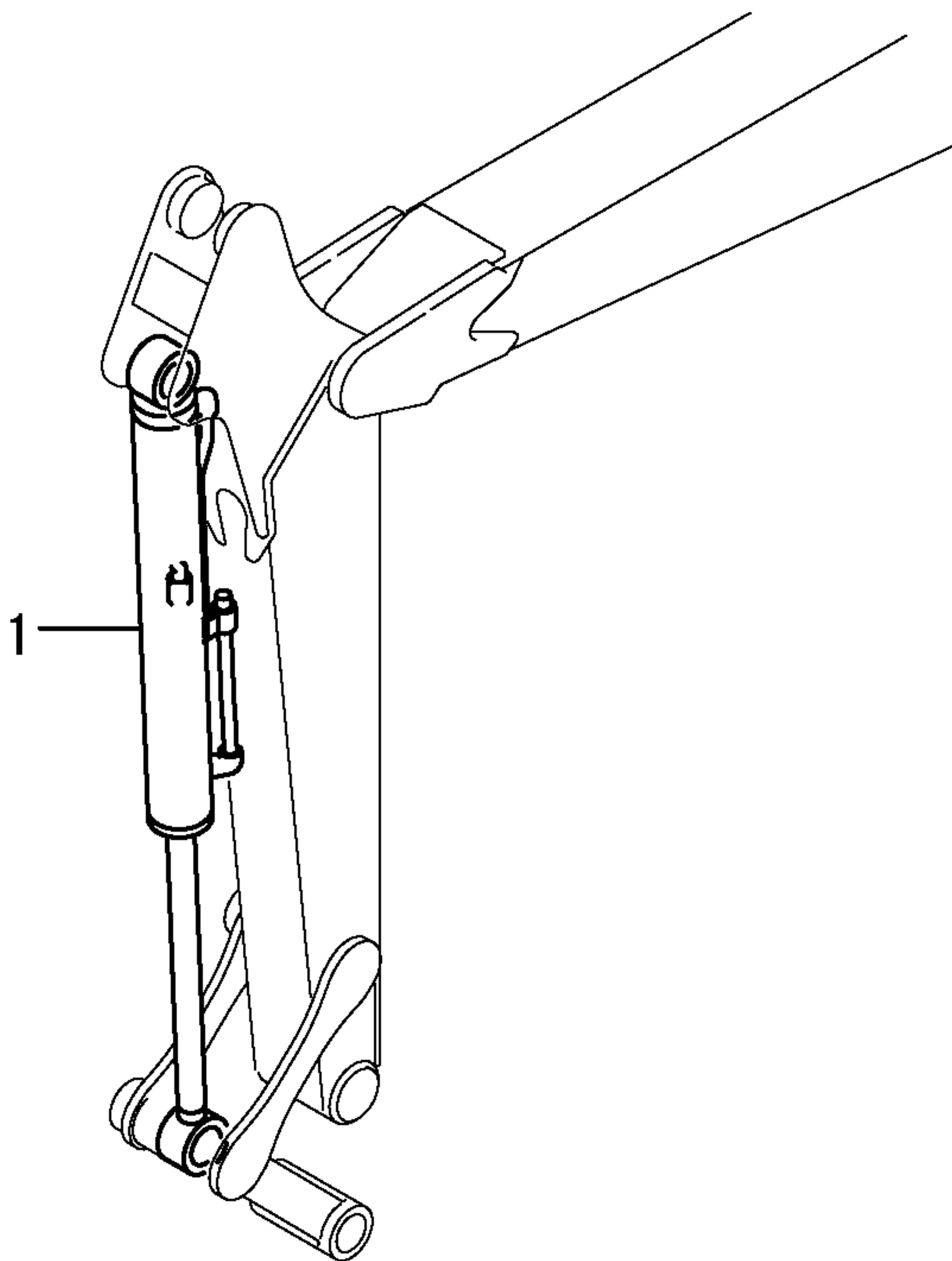
1,1,,172456-72500,, "CYLINDER, BUCKET (97)",,1,,,,,,,,,,,,,  
1-1,1,,172456-72501,, "CYLINDER,  
BUCKET(97)",,1,,,,,R,,,,,72456222,M/#21783,,,,,,I  
1-2,1,,172456-72502,, "CYLINDER, BUCKET  
(97)",,1,1,,,,,R,,,,,72456271,M/#22194,,,,,,I  
2,2,,172456-72030,, "SEAL SET 55\*30, HEAD",,1,,,,,,,,,,,,,  
2-1,2,,172456-72031,, "SEAL SET, HEAD",,1,1,,,,,S,1,,72456222,M/#21783,,,,,,I  
8,2,,172456-72040,, "SEAL SET 55, PISTON",,1,,,,,,,,,,,,,  
8-1,2,,172449-72320,, "PACKING 55 ASSY,  
RGU",,1,,,,,S,,,,,72456222,M/#21783,,,,,,I  
8-2,2,,172449-72321,, "GASKET RGU55  
ASSY",,1,1,,,,,N,,,,,72448155,M/#21808,,,,,,I  
9-1,3,,172449-72380,, "GASKET",,1,,,,,S,,,,,72456222,M/#21783,,,,,,I  
9-2,3,,172449-72381,, "PACKING 55, RGU",,1,1,,,,,N,,,,,72448155,M/#21808,,,,,,I  
10-1,3,,172449-72390,, "BEARING, PWL 55",,2,2,,,,,S,,,,,72456222,M/#21783,,,,,,I  
12,2,,172171-72130,, "U-NUT M24",,1,,,,,,,,,,,,,  
12-1,2,,172141-72250,, "U-NUT M27",,1,1,,,,,S,,,,,72456271,M/#22194,,,,,,I  
13,2,,172173-72461,, "ROD ASSY, BUCKET",,1,,,,,,,,,,,,,  
13-1,2,,172456-72560,, "LOD CMP, BUCKET",,1,,,,,S,2,,72456222,M/#21783,,,,,,I  
13-2,2,,172456-72561,, "ROD ASSY,  
BUCKET",,1,1,,,,,S,2,,72456271,M/#22194,,,,,,I  
14,3,,172141-72561,, "BUSH (35-45-30",,1,1,,,,,,,,,,,,,  
15,3,,172171-81280,, "SEAL 35X45X4",,2,,,,,,,,,,,,,  
15-1,3,,172448-81610,, "SEAL  
35X45X4, DUST",,2,2,,,,,R,,,,,72456271,M/#22194,,,,,,I  
16,2,,172173-72490,, "HEAD ASSY, 55 30",,1,,,,,,,,,,,,,  
16-1,2,,172449-72410,, "HEAD CMP B, 55-  
35",,1,1,,,,,S,1,,72456222,M/#21783,,,,,,I  
18,3,,933111-01800,, "BUSH 30 30",,1,,,,,,,,,,,,,  
18-1,3,,24550-030300,, "BUSH 30X30",,1,,,,,R,,,,,A1686116,M/#21581,,,,,,I  
18-2,3,,24550-035300,, "BUSH 35X30",,1,1,,,,,S,,,,,72456222,M/#21783,,,,,,I  
19,2,,172173-72512,, "PISTON A",,1,,,,,,,,,,,,,  
19-1,2,,172449-72310,, "PISTON, 55X24X28",,1,,,,,S,3,,72456222,M/#21783,,,,,,I  
19-2,2,,172449-72311,, "PISTON 55(24-28",,1,,,,,N,3,,72448155,M/#21808,,,,,,I  
19-3,2,,172456-72580,, "PISTON 55 (27-  
27",,1,1,,,,,S,3,,72456271,M/#22194,,,,,,I  
20,2,,172456-72510,, "TUBE, BUCKET(GREEN:97",,1,,,,,,,,,,,,,  
20-1,2,,172456-72511-  
4,, "TUBE, BUCKET(GREEN:97",,1,,,,,N,,,,,72456152,M/#20580,,,,,,  
20-2,2,,172456-72512,, "TUBE  
ASSY, BUCKET(97)",,1,1,,,,,S,4,,72456222,M/#21783,,,,,,I  
21,3,,172141-72561,, "BUSH (35-45-30",,1,1,,,,,,,,,,,,,  
22,3,,172171-81280,, "SEAL 35X45X4",,2,,,,,,,,,,,,,  
22-1,3,,172448-81610,, "SEAL  
35X45X4, DUST",,2,2,,,,,R,,,,,72449038,M/#21808,,,,,,I  
23,2,,172173-72550,, "ROCK WASHER 55",,1,1,,,,,,,,,,,,,  
24,2,,172173-72560,, "PISTON B",,1,,,,,Z,,,,,72456222,M/#21783,,,,,,I  
25,2,,172173-72570,, "COLLAR,,2,,,,,Z,,,,,72456222,M/#21783,,,,,,I  
26,2,,24761-040000,, "NIPPLE B, GREASE",,1,1,,,,,,,,,,,,,



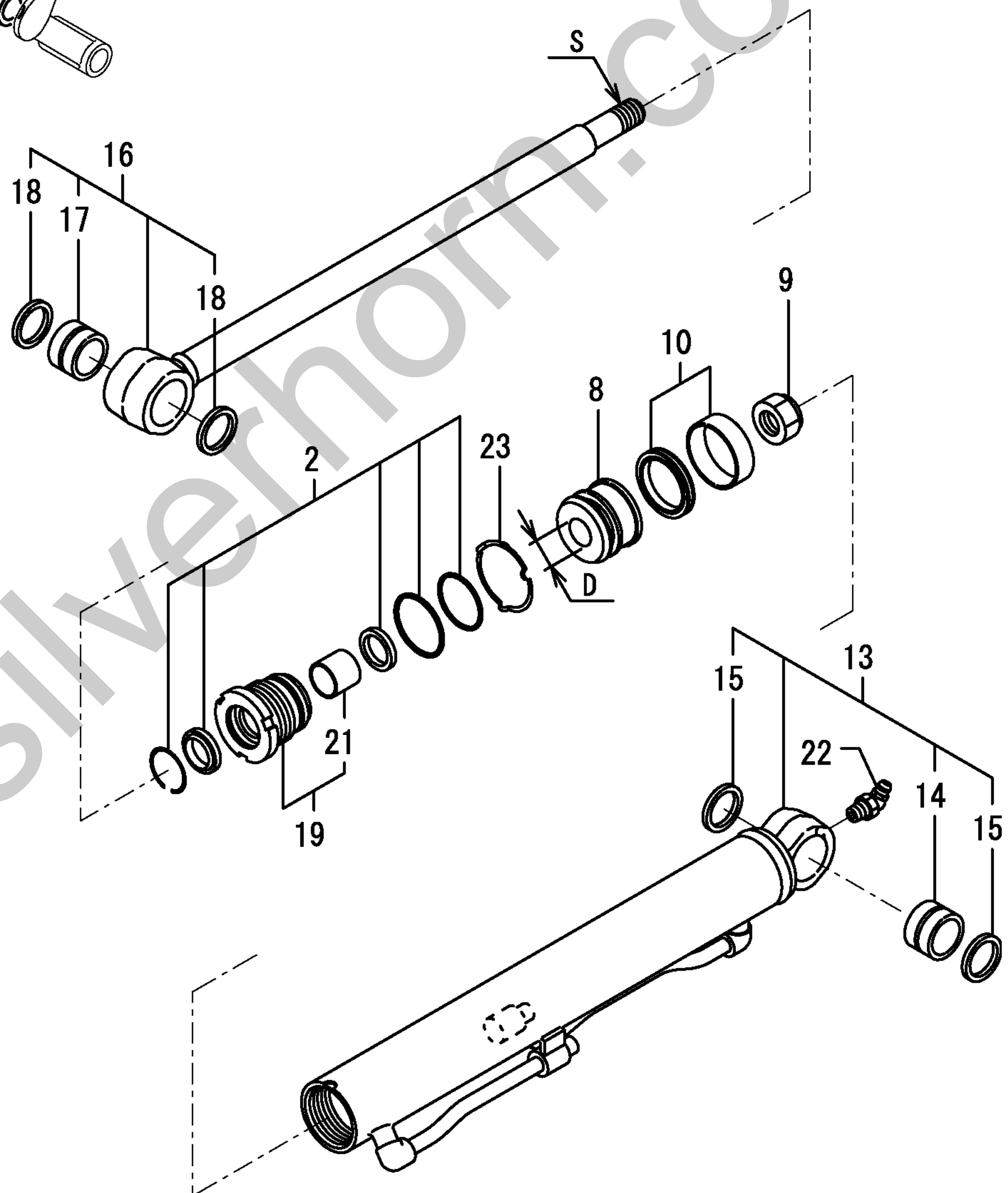
見出しNo. 1は  
見出しNo. 2~26を含みます。  
1 INC 2~26.



1,1,,172956-72500,,,"CYL. ,BUCKET Q(97)",,1,,,,,,,,,,,,,  
1-1,1,,172956-72501,,,"CYLINDER,BUCKET  
Q(97)",1,1,1,,N,,,,,72456271,M/#22194,,,,,,,,,,,,,I  
2,2,,172457-72050,,,"SEAL SET 60X35,HEAD",1,1,1,,,,,,,,,,,,,  
8,2,,172171-72120,,,"PISTON",,1,,,,,,,,,,,,,  
8-1,2,,172956-72560,,,"PISTON 60",1,1,1,,S,1,,72456271,M/#22194,,,,,,,,,,,,,I  
9,2,,172171-72130,,,"U-NUT M24",,1,,,,,,,,,,,,,  
9-1,2,,172141-72250,,,"U-NUT M27",1,1,1,,S,,,,,72456271,M/#22194,,,,,,,,,,,,,I  
10,2,,172137-72452,,,"SEAL SET 60A, PISTON",,1,,,,,,,,,,,,,  
10-1,2,,172137-72453,,,"SEAL SET, PISTON  
60A",1,1,1,,N,,,,,72958068,M/#21915,,,,,,,,,,,,,I  
13,2,,172956-72510,,,"TUBE ,BUCKET Q(97)",,1,,,,,,,,,,,,,  
13-1,2,,172956-72511,,,"TUBE ,BUCKET  
Q(97)",1,1,1,,N,,,,,72456152,M/#20580,,,,,,,,,,,,,  
14,3,,172141-72561,,,"BUSH (35-45-30",1,1,1,,,,,,,,,,,,,  
15,3,,172171-81280,,,"SEAL 35X45X4",,2,,,,,,,,,,,,,  
15-1,3,,172448-81610,,,"SEAL  
35X45X4,DUST",2,2,2,,R,,,,,72449038,M/#21808,,,,,,,,,,,,,I  
16,2,,172956-72530,,,"ROD,BUCKET Q",,1,,,,,,,,,,,,,  
16-1,2,,172956-72531,,,"ROD ASSY, BUCKET  
(Q)",1,1,1,,S,2,,72456271,M/#22194,,,,,,,,,,,,,I  
17,3,,172141-72561,,,"BUSH (35-45-30",1,1,1,,,,,,,,,,,,,  
18,3,,172171-81280,,,"SEAL 35X45X4",,2,,,,,,,,,,,,,  
18-1,3,,172448-81610,,,"SEAL  
35X45X4,DUST",2,2,2,,R,,,,,72449038,M/#21808,,,,,,,,,,,,,I  
19,2,,172141-72540,,,"HEAD 6035, CYLINDER",1,1,1,,,,,,,,,,,,,  
21,3,,933111-01600,,,"BUSH 35 30, ROD",,1,,,,,,,,,,,,,  
21-1,3,,24550-035300,,,"BUSH 35X30",1,1,1,,R,,,,,A1686116,M/#21581,,,,,,,,,,,,,I  
22,2,,24761-040000,,,"NIPPLE B,GREASE",1,1,1,,,,,,,,,,,,,  
23,2,,933125-59600,,,"WASHER 60 B, LOCK",1,1,1,,,,,,,,,,,,,



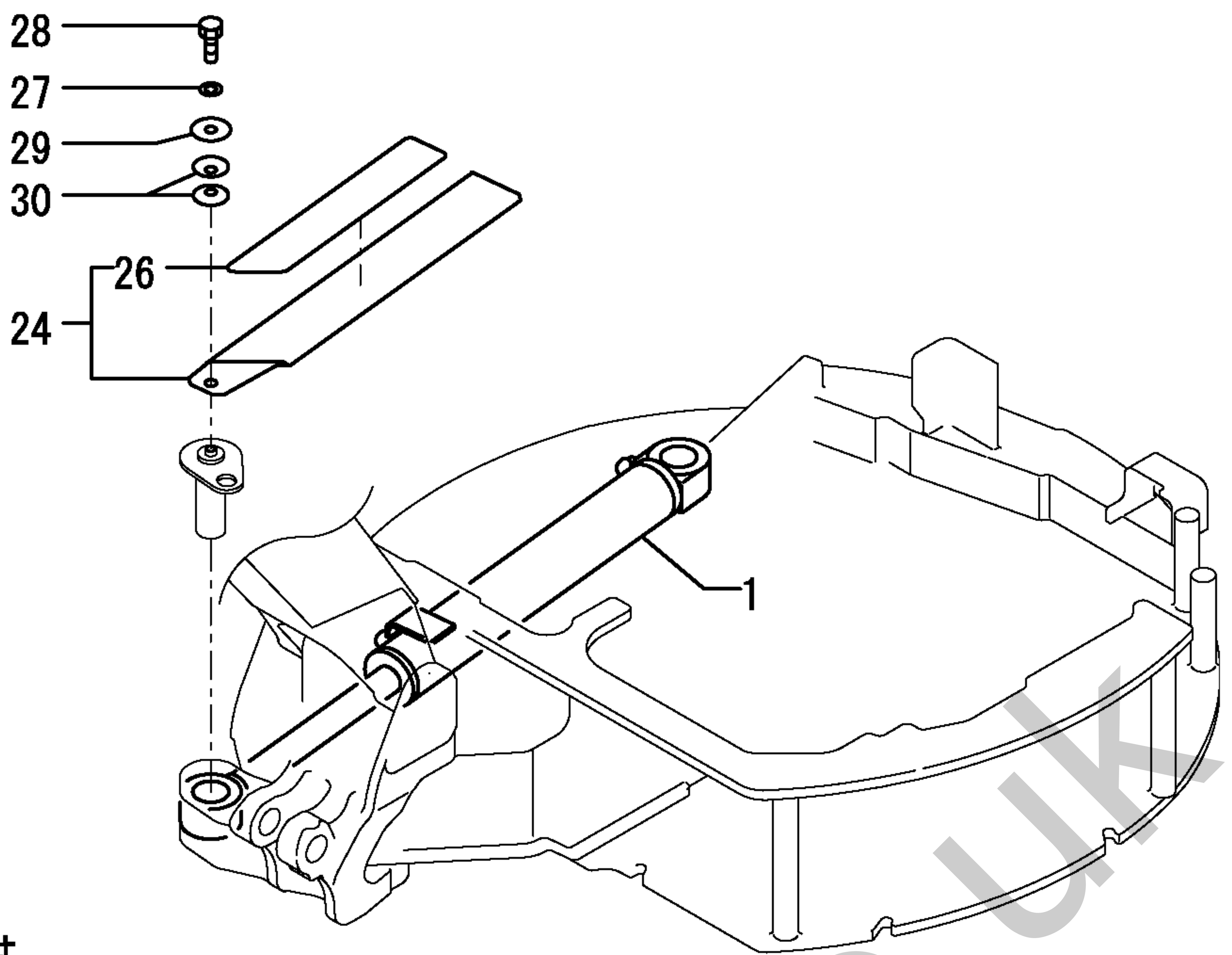
見出しNo. 1は  
見出しNo. 2~23を含みます。  
1 INC 2~23.



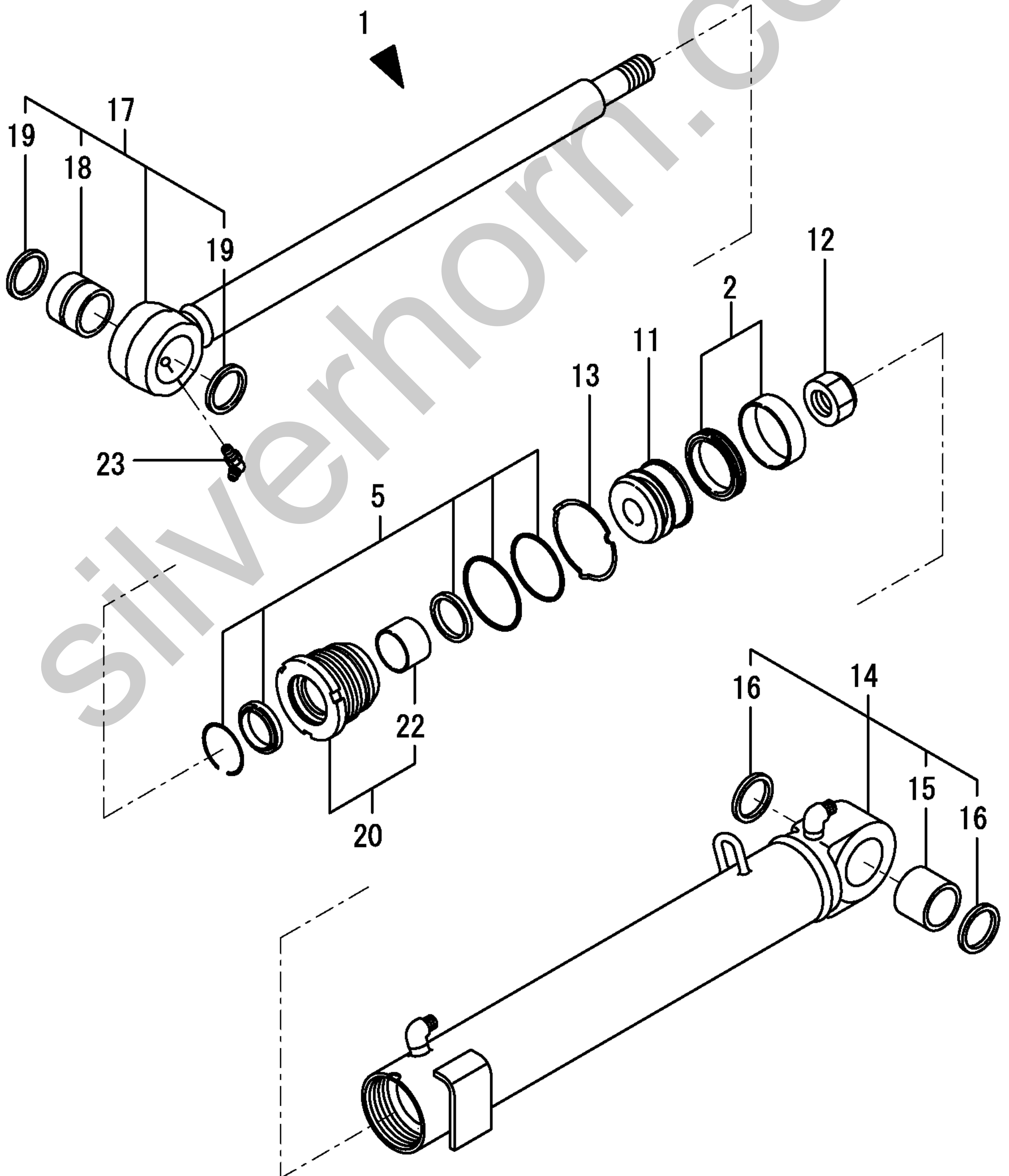
SilverHorn.CO.UK

1,1,,172456-72700,, "CYLINDER, SWING (88)",1,1,,1,,,,,,,,,,,,,  
2,2,,172143-72010,, "SEAL SET, PISTON 70",,1,,,,,,,,,,,,,  
2-1,2,,172460-72070,, "SEAL SET",1,1,,1,,N,,,,,72458500,M/#21813,,,,,,,,,I  
5,2,,172456-72050,, "SEAL SET, HEAD",1,1,,1,,,,,,,,,,,,,  
11,2,,172456-72190,, "PISTON 70 27",1,1,,1,,,,,,,,,,,,,  
12,2,,172141-72250,, "U-NUT M27",1,1,,1,,,,,,,,,,,,,  
13,2,,172141-72420,, "WASHER 70, LOCK",1,1,,1,,,,,,,,,,,,,  
14,2,,172456-72710,, "TUBE, SWING(GREEN:88)",1,1,,1,,,,,,,,,,,,,  
15,3,,172458-72740,, "BUSH 40X40,SO",1,1,,1,,,,,,,,,,,,,  
16,3,,172165-81750,, "SEAL 40X50X5, DUST",,2,,,,,,,,,,,,,  
16-1,3,,172448-72650,, "SEAL  
40X50X4,DUST",2,2,,2,,R,,,,,72449038,M/#21808,,,,,,,,,I  
17,2,,172456-72740,, "ROD ASSY, SWING",1,1,,1,,,,,,,,,,,,,  
18,3,,172165-72310,, "BUSH 40X40",1,1,,1,,,,,,,,,,,,,  
19,3,,172165-81750,, "SEAL 40X50X5, DUST",,2,,,,,,,,,,,,,  
19-1,3,,172448-72650,, "SEAL  
40X50X4,DUST",2,2,,2,,R,,,,,72449038,M/#21808,,,,,,,,,I  
20,2,,172421-72750,, "HEAD ASSY, 70 40",,1,,,,,,,,,,,,,  
20-1,2,,172143-72400,, "HEAD 70 40",1,1,,1,,R,,,,,72456104,M/#20501,,,,,,,,,  
22,3,,933135-14600,, "BUSH 40 30, ROD",,1,,,,,,,,,,,,,  
22-1,3,,24550-040300,, "BUSH 40X30",1,1,,1,,R,,,,,A1686116,M/#21581,,,,,,,,,I  
23,2,,24761-050000,, "NIPPLE C, GREASE",1,1,,1,,,,,,,,,,,,,  
24,1,,172456-72790,, "COVER, SWING(GREEN:97)",,1,1,,,,,,,,,,,,,  
26,2,,172456-72830,, "SEAT, COVER",,1,1,,,,,,,,,,,,,  
27,1,,22217-100000,, "SPRING WASHER 10",1,1,,1,,,,,,,,,,,,,  
28,1,,26116-100162,, "BOLT M10X 16 PLATED",1,1,,1,,,,,,,,,,,,,  
29,1,,933147-03400,, "WASHER, BRAKE ARM",,1,1,,,,,,,,,,,,,  
30,1,,933168-14170,, "SPRING 16",,2,2,,,,,,,,,,,,,





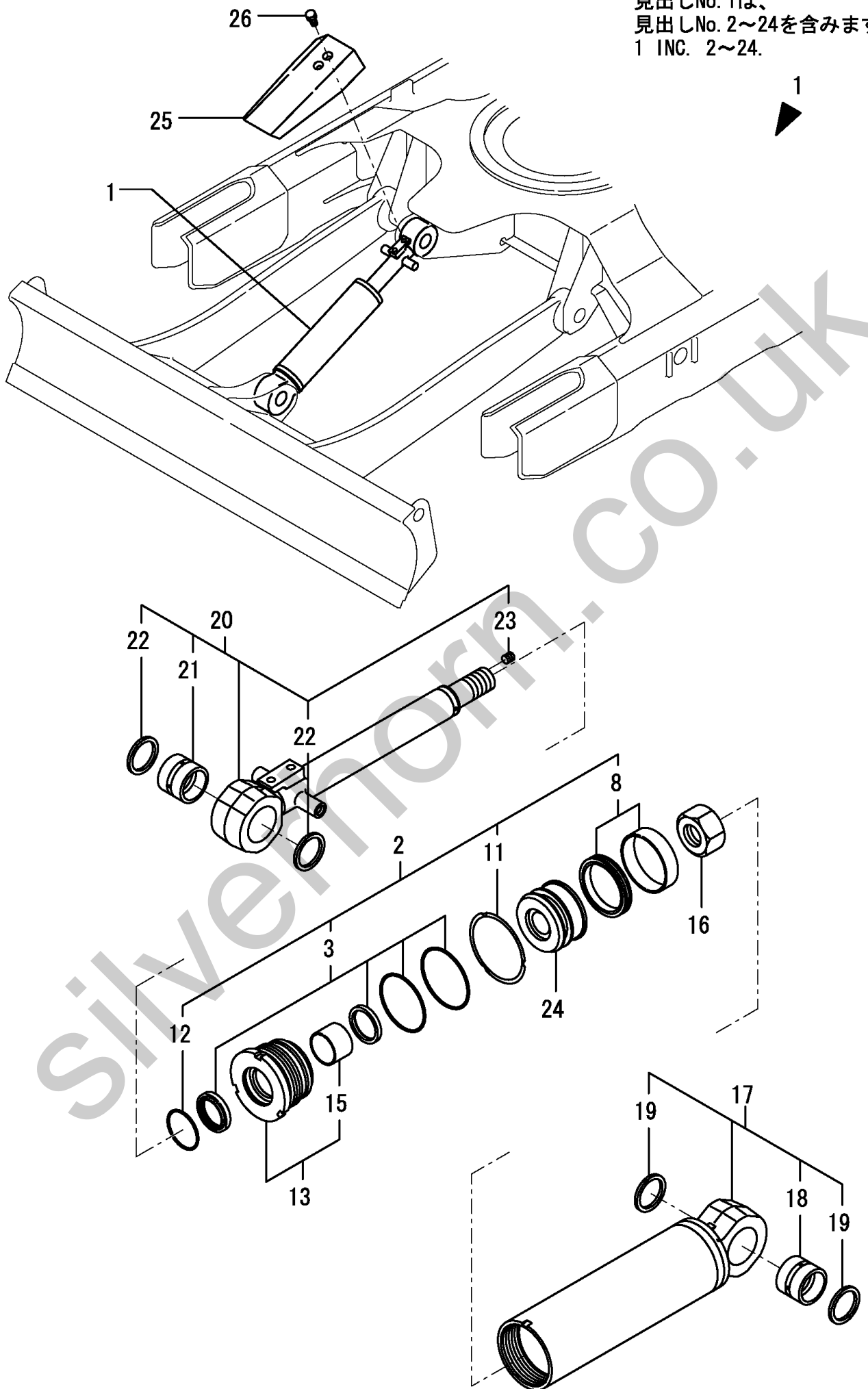
見出しNo. 1は  
見出しNo. 2~23を含みます。  
1 INC 2~23.



1,1,,172421-72700,, "CYLINDER ASSY.,BLADE",1,1,,1,,,,,,,,,,,,,  
 2,2,,172168-72010,, "SEAL KIT",,1,,,,,Z,,,,,72458500,M/#21813,,,,,,,,,I  
 3,3,,172168-72020,, "SEAL SET, HEAD 70X40",1,1,,1,,,,,,,,,,,,,  
 8,3,,172168-72030,, "PISTON SEAL SET70X40",,1,,,,,,,,,,,,,  
 8-1,3,,172460-72070,, "SEAL SET",1,1,,1,,N,,,,,72458500,M/#21813,,,,,,,,,I  
 11,3,,172141-72420,, "WASHER 70, LOCK",1,1,,1,,,,,,,,,,,,,  
 12,3,,933111-26600,, "RING 55, SPRING",1,1,,1,,,,,,,,,,,,,  
 13,2,,172143-72400,, "HEAD 70 40",1,1,,1,,,,,,,,,,,,,  
 15,3,,933135-14600,, "BUSH 40 30, ROD",,1,,,,,,,,,,,,,  
 15-1,3,,24550-040300,, "BUSH 40X30",1,1,,1,,R,,,,,A1686116,M/#21581,,,,,,,,,I  
 16,2,,172175-72550,, "U-NUT",1,1,,1,,,,,,,,,,,,,  
 17,2,,172421-72710,, "TUBE ASSY.,BLADE",1,1,,1,,,,,,,,,,,,,  
 18,3,,172168-72240,, "BUSH 38X50X40",1,1,,1,,,,,,,,,,,,,  
 19,3,,172168-81270,, "SEAL,DUST 38X50X4",2,2,,2,,,,,,,,,,,,,  
 20,2,,172421-72730,, "ROD COMP.,BLADE",1,1,,1,,,,,,,,,,,,,  
 21,3,,172168-72240,, "BUSH 38X50X40",1,1,,1,,,,,,,,,,,,,  
 22,3,,172168-81270,, "SEAL,DUST 38X50X4",2,2,,2,,,,,,,,,,,,,  
 23,3,,23871-005000,, "PLUG PT 1/16",1,1,,1,,,,,,,,,,,,,  
 24,2,,172421-72770,, "PISTON 70 30",1,1,,1,,,,,,,,,,,,,  
 25,1,,172422-72790,, "COVER,BLADE(GREEN:88",1,1,,1,,,,,,,,,,,,,  
 26,1,,26013-100202,, "BOLT W/WASHER M10X20",2,2,,2,,,,,,,,,,,,,

Silverhorn.CO.UK

見出しNo. 1は、  
見出しNo. 2~24を含みます。  
1 INC. 2~24.

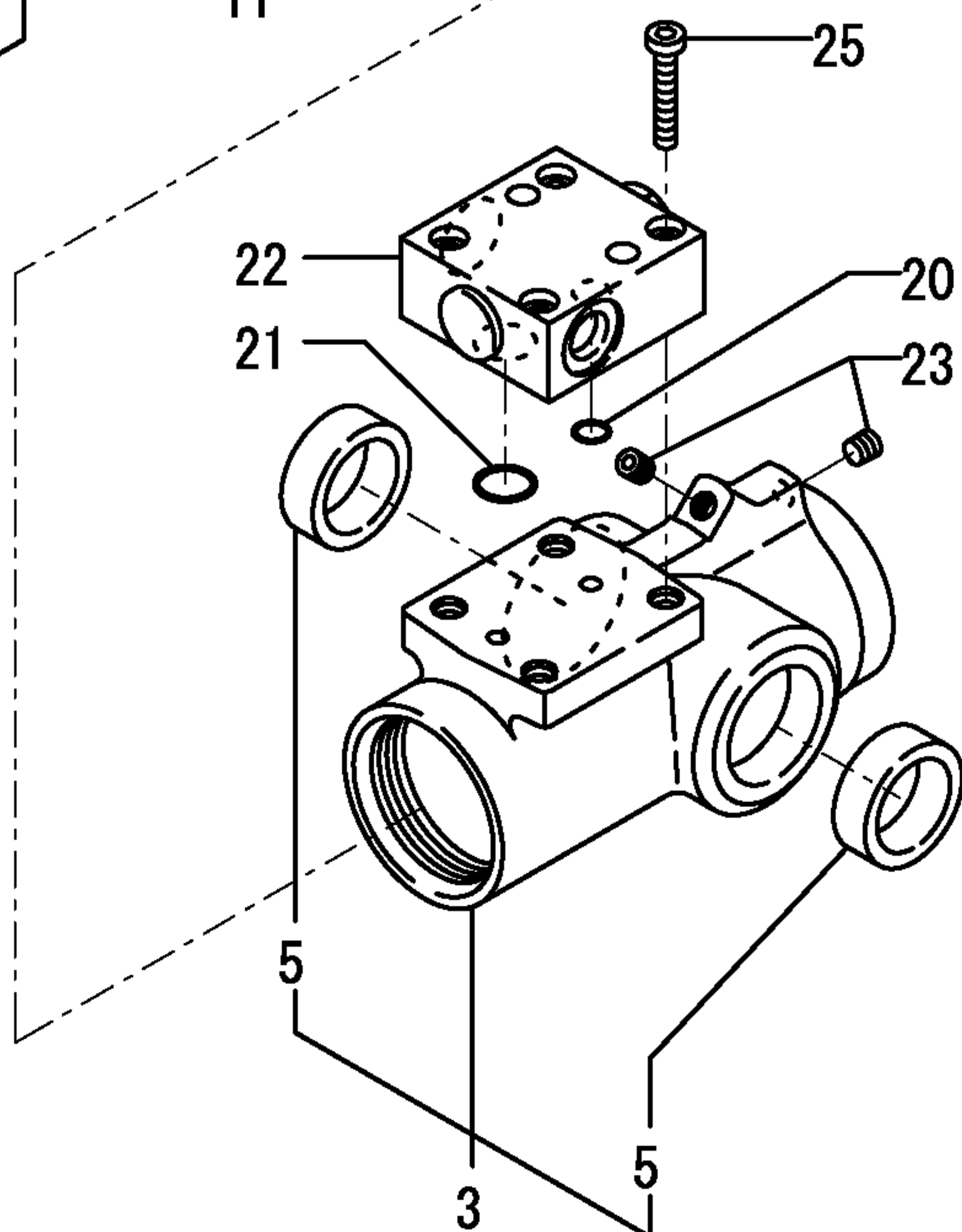
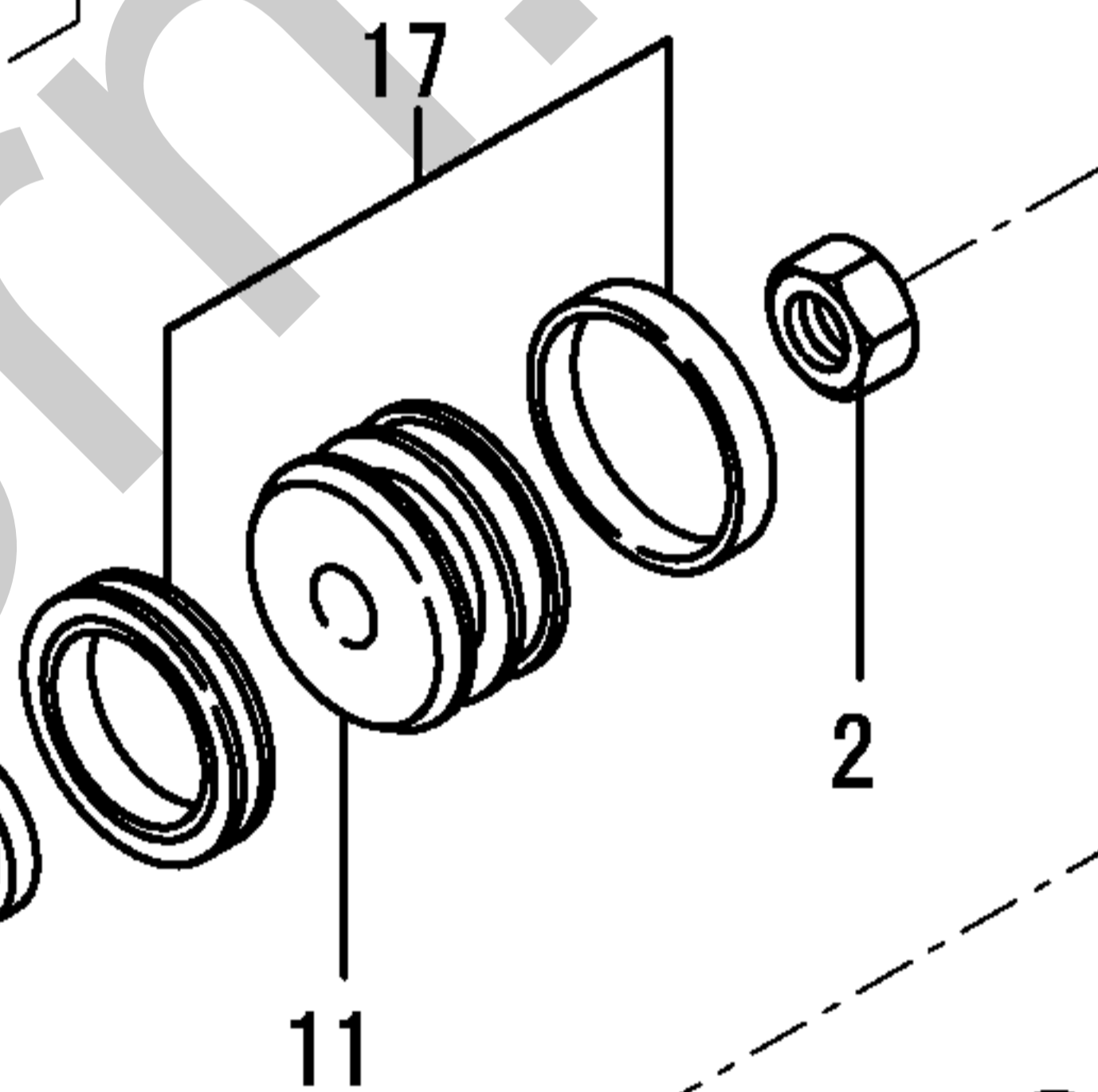
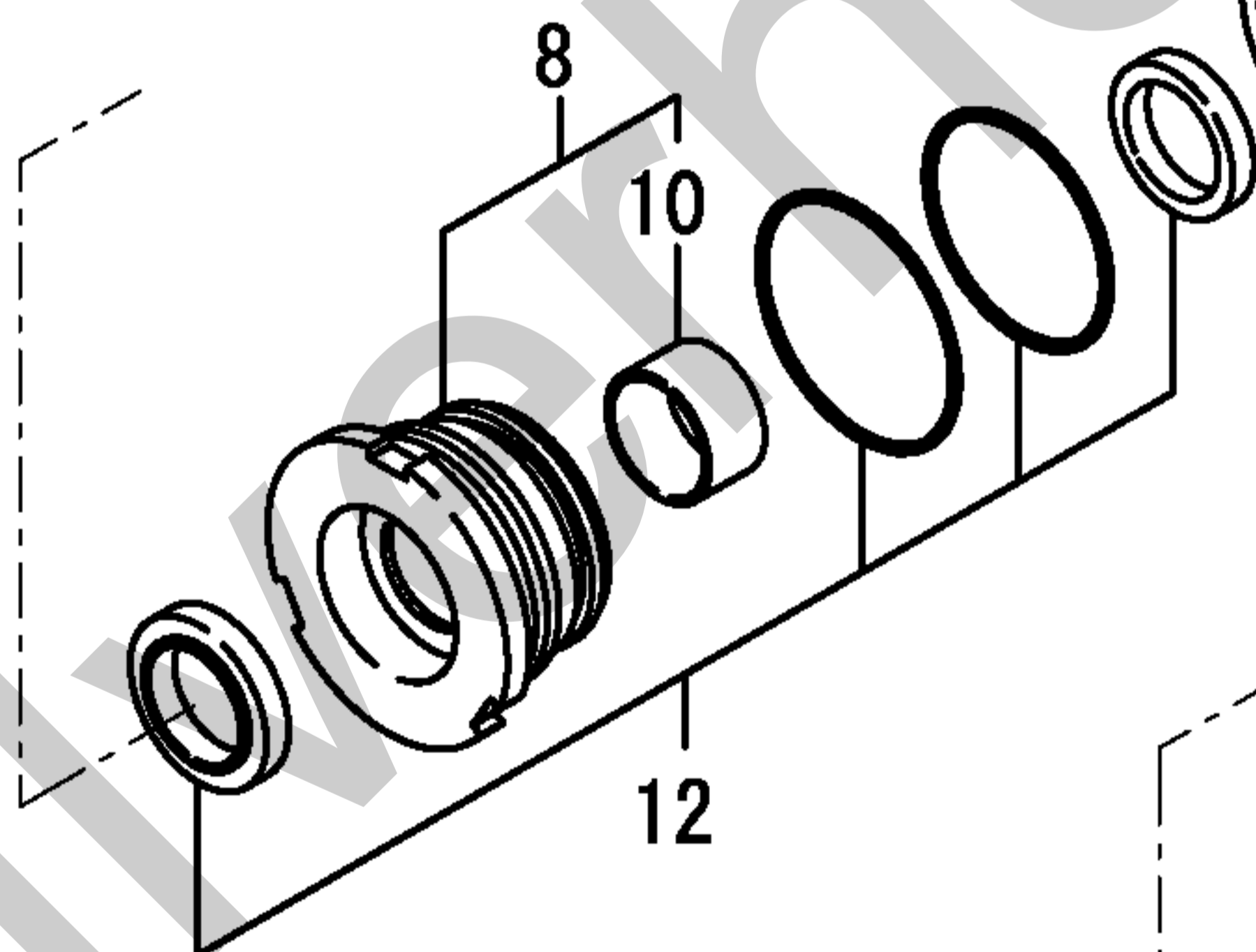
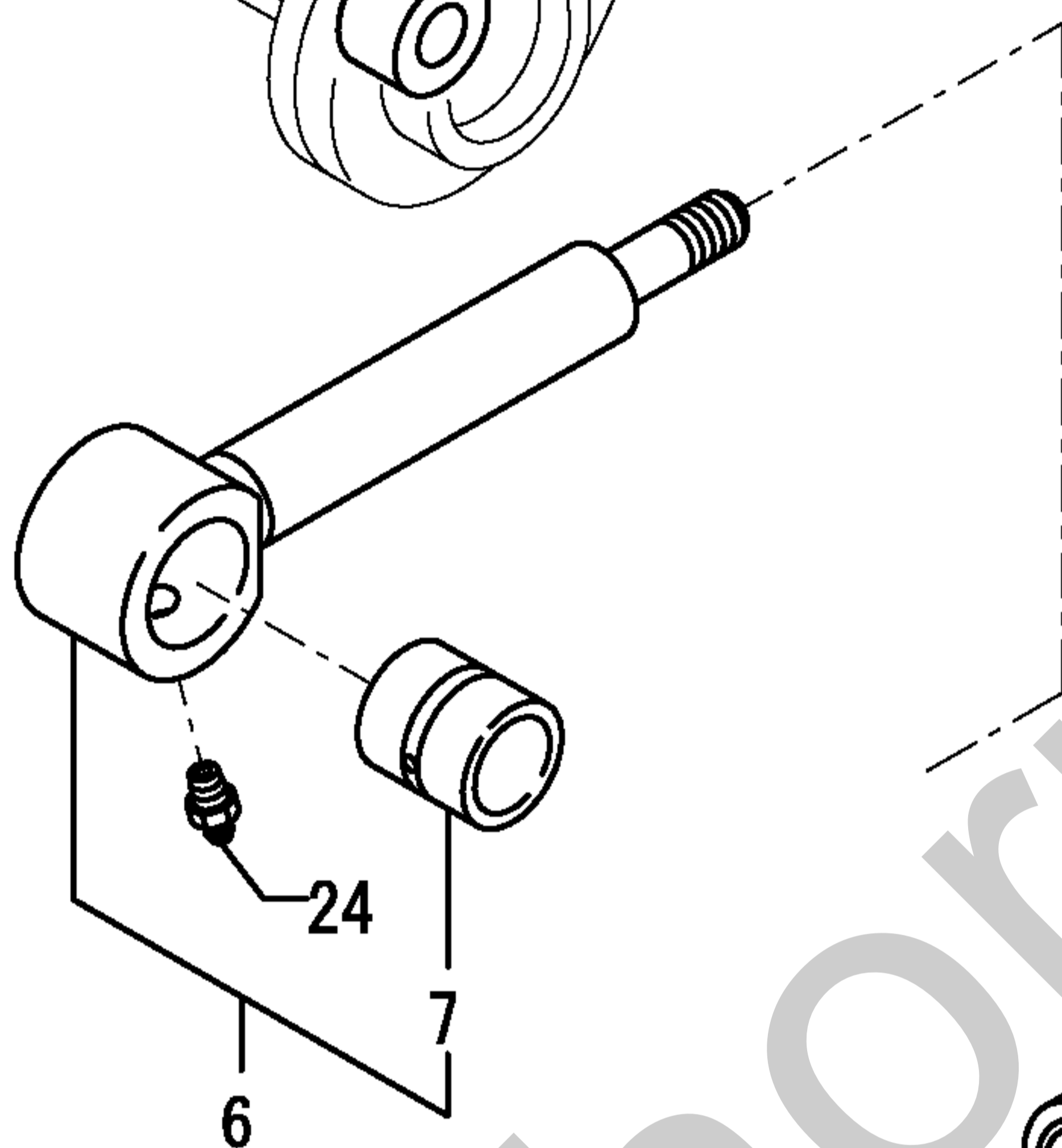
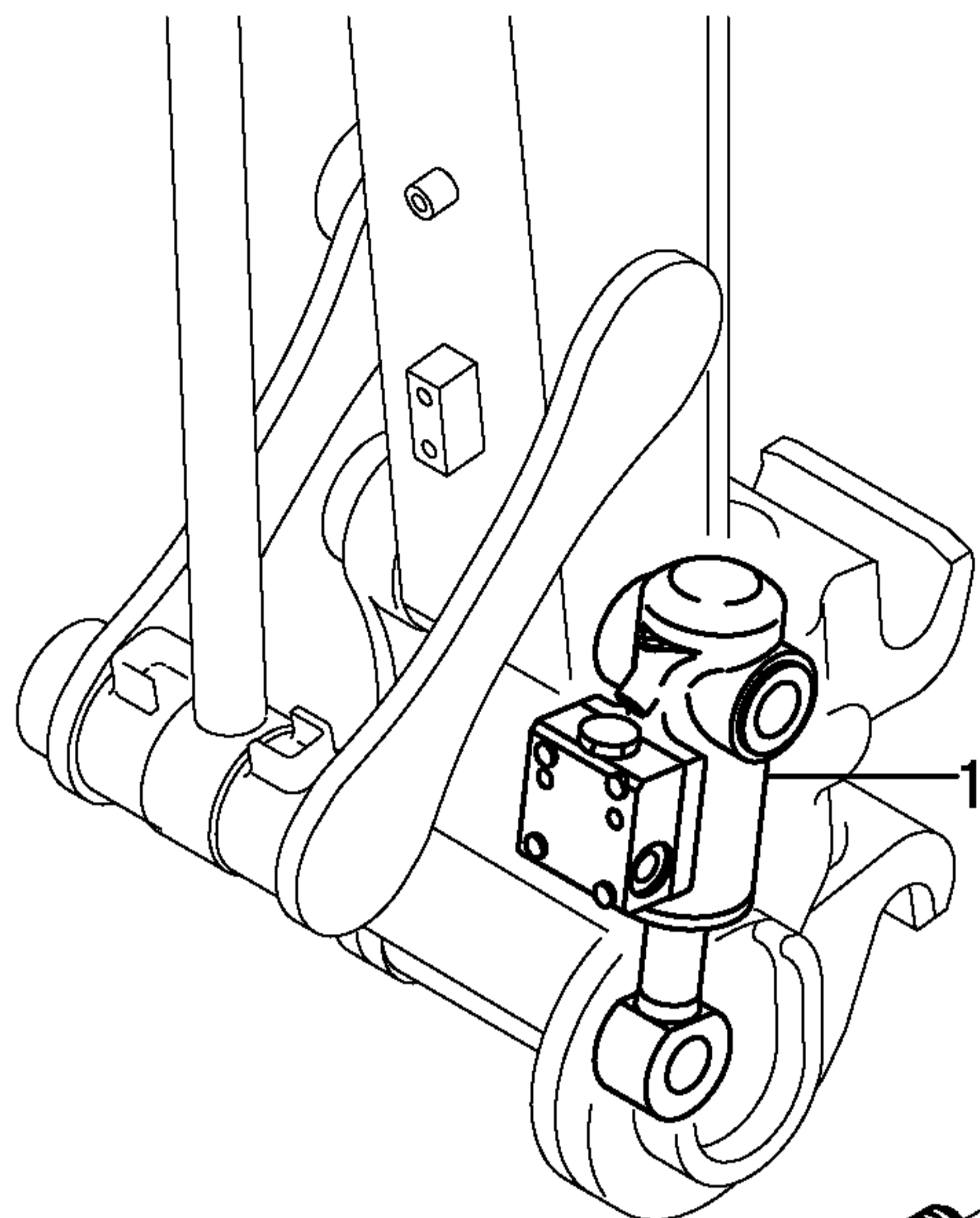




1,1,,172956-72800,, "CYLINDER,HITCH (97)",1,1,,1,,,,,,,,,,,,,  
 2,2,,172156-72400,, "U-NUT M 14",1,1,,1,,,,,,,,,,,,,  
 3,2,,172956-72810,, "TUBE ASSY ,HITCH(97)",1,1,,1,,,,,,,,,,,,,  
 5,3,,172956-72880,, "BUSH (25-33-14.5",2,2,,2,,,,,,,,,,,,,  
 6,2,,172956-72830,, "ROD ASSY, HITCH",1,1,,1,,,,,,,,,,,,,  
 7,3,,172155-81260,, "BUSH 25X 35",,1,,,,,,,,,,,,,  
 7-1,3,,172156-84440,, "BUSH 25X 35",1,1,,1,,N,,,,,72956017,M/#20501,,,,,,  
 8,2,,172956-72860,, "HEAD ASSY 45 25",1,1,,1,,,,,,,,,,,,,  
 10,3,,172956-72880,, "BUSH (25-33-14.5",,1,,,,,,,,,,,,,  
 10-1,3,,24550-025150,, "BUSH 25X15",1,1,,1,,N,,,,,72956018,M/#20501,,,,,,  
 11,2,,172956-72890,, "PISTON 45 25",1,1,,1,,,,,,,,,,,,,  
 12,2,,172956-72900,, "SEAL SET, HEAD 45X25",1,1,,1,,,,,,,,,,,,,  
 17,2,,172956-72910,, "SEAL SET, PISTON",1,1,,1,,,,,,,,,,,,,  
 20,2,,172958-72950,, "O-RING P8",1,1,,1,,,,,,,,,,,,,  
 21,2,,172958-72960,, "O-RING P14",1,1,,1,,,,,,,,,,,,,  
 22,2,,172956-72980,, VALVE,,1,,,,,,,,,,,,,  
 22-1,2,,172958-72981,, "CHECK  
 VALVE(GREEN:97",,1,,,,,N,,,,,72956006,M/#20501,,,,,,  
 22-2,2,,172958-72982,, "CHECK  
 VALVE(GREEN:97",1,1,,1,,N,,,,,72958069,M/#21915,,,,,,I  
 23,2,,23871-005000,, "PLUG PT 1/16",2,2,,2,,,,,,,,,,,,,  
 24,2,,24761-050000,, "NIPPLE C,GREASE",,1,,,,,,,,,,,,,  
 24-1,2,,24761-020000,, "NIPPLE  
 PT1/8,GREASE",1,1,,1,,N,,,,,72956010,M/#20501,,,,,,  
 25,2,,26450-060352,, "BOLT M 6X 35",4,4,,4,,,,,,,,,,,,,



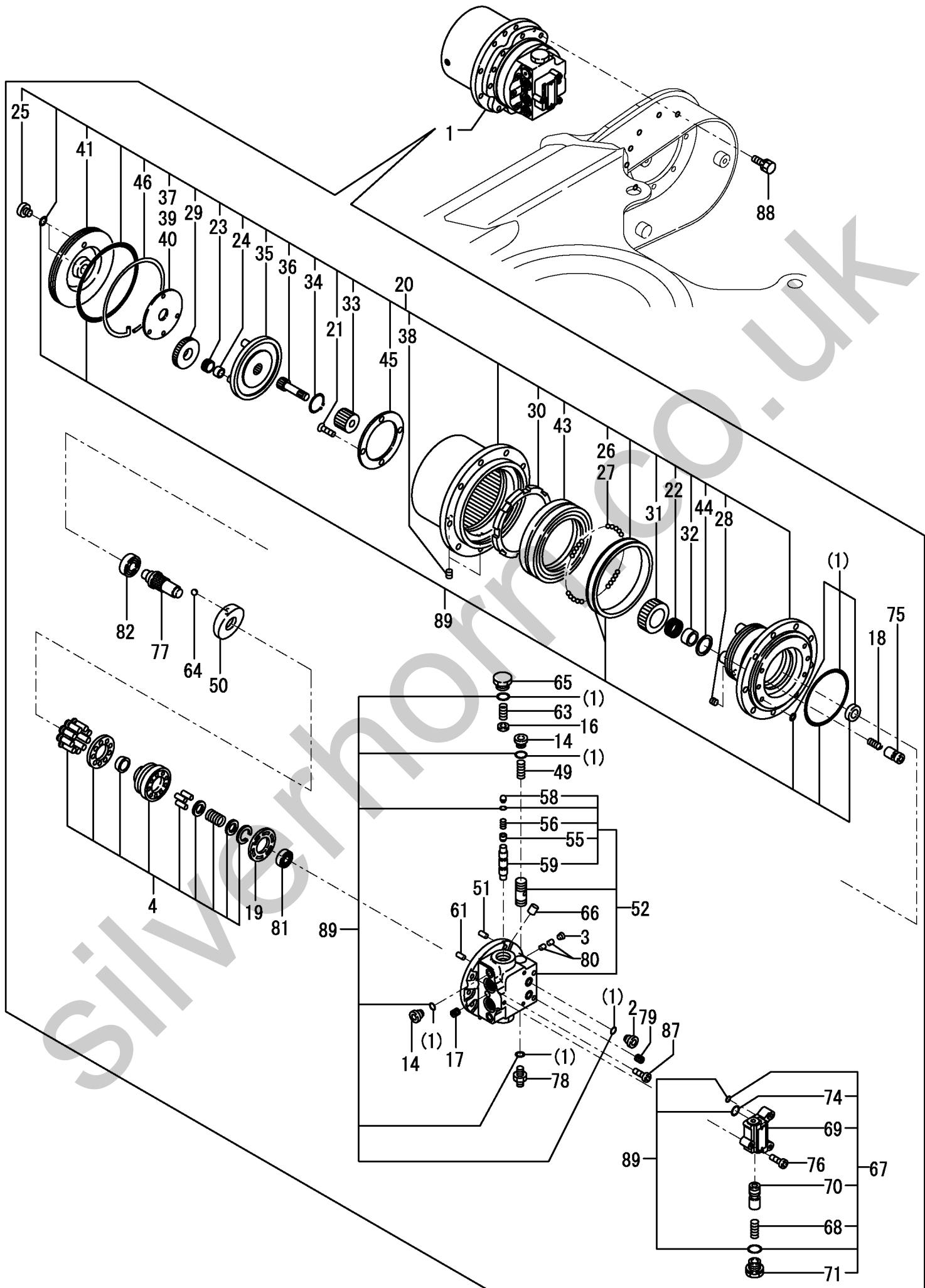
見出しNo. 1は、  
見出しNo. 2~25を含みます。  
1 INC. No. 2~25.



1,1,,172456-73300,, "MOTOR ASSY,TRAVEL",2,2,,2,,,,,,,,,,,,,,,,,,,,,  
2,2,,1A6240-37360,, PLUG,4,4,,4,,,,,,,,,,,,,,,,,,,,,,,,,,,,,I  
3,2,,172147-70220,, PLUG,4,4,,4,,,,,,,,,,,,,,,,,,,,,,,,,,,,,I  
4,2,,172450-73620,, "CYLINDER BLOCK KIT",2,2,,2,,,,,,,,,,,,,,,,,,,,,  
14,2,,172148-70301,, PLUG,6,6,,6,,,,,,,,,,,,,,,,,,,,,,,,,,,,,I  
16,2,,172141-70450,, "SEAT, SPRING",4,4,,4,,,,,,,,,,,,,,,,,,,,,I  
17,2,,172162-70780,, PLUG,2,2,,2,,,,,,,,,,,,,,,,,,,,,,,,,,,,,I  
18,2,,172168-71950,, SPRING,4,4,,4,,,,,,,,,,,,,,,,,,,,,,,,,,,,,I  
19,2,,172638-73330,, PLATE,2,2,,2,,,,,,,,,,,,,,,,,,,,,,,,,,,,,I  
20,2,,172456-73340,, "REDUCTION GEAR",2,2,,2,,,,,,,,,,,,,,,,,,,,,I  
21,3,,172141-70110,, SCREW,8,8,,8,,,,,,,,,,,,,,,,,,,,,,,,,,,,,I  
22,3,,172147-70120,, "GAUGE, W/ROLLER",8,8,,8,,,,,,,,,,,,,,,,,,,,,I  
23,3,,172141-70150,, "GAUGE, W/ROLLER",6,6,,6,,,,,,,,,,,,,,,,,,,,,I  
24,3,,172141-70160,, "RACE, INNER",6,6,,6,,,,,,,,,,,,,,,,,,,,,I  
25,3,,172148-70301,, PLUG,4,4,,4,,,,,,,,,,,,,,,,,,,,,,,,,,,,,I  
26,3,,172122-70350,, BALL,198,198,,198,,,,,,,,,,,,,,,,,,,,,I  
27,3,,172122-70350,, BALL,20,20,,20,,,,,,,,,,,,,,,,,,,,,I  
28,3,,172450-73330,, PLUG,4,4,,4,,,,,,,,,,,,,,,,,,,,,,,,,,,,,I  
29,3,,172421-73350,, "PLANETARY, GEAR A",6,6,,6,,,,,,,,,,,,,,,,,,,,,I  
30,3,,172456-73350,, "RING NUT",2,2,,2,,,,,,,,,,,,,,,,,,,,,,,,,,,,,I  
31,3,,172456-73360,, "PLANETARY, GEAR B",8,8,,8,,,,,,,,,,,,,,,,,,,,,I  
32,3,,172456-73370,, "INNER RACE",8,8,,8,,,,,,,,,,,,,,,,,,,,,I  
33,3,,172456-73380,, "GEAR,SUN",2,2,,2,,,,,,,,,,,,,,,,,,,,,,,,,,,,,I  
34,3,,172456-73390,, "SNAP RING",2,2,,2,,,,,,,,,,,,,,,,,,,,,,,,,,,,,I  
35,3,,172456-73400,, HOLDER,2,2,,2,,,,,,,,,,,,,,,,,,,,,,,,,,,,,I  
36,3,,172456-73410,, "GEAR, DRIVE",2,2,,2,,,,,,,,,,,,,,,,,,,,,I  
37,3,,172456-73420,, "THRUST PLATE",2,2,,2,,,,,,,,,,,,,,,,,,,,,I  
38,3,,172122-73430,, PLUG,4,4,,4,,,,,,,,,,,,,,,,,,,,,,,,,,,,,I  
39,3,,172456-73430,, "THRUST PLATE",2,2,,2,,,,,,,,,,,,,,,,,,,,,I  
40,3,,172456-73440,, "THRUST PLATE",2,2,,2,,,,,,,,,,,,,,,,,,,,,I  
41,3,,172456-73450,, COVER,2,2,,2,,,,,,,,,,,,,,,,,,,,,,,,,,,,,I  
43,3,,172183-73520,, BEARING,2,2,,2,,,,,,,,,,,,,,,,,,,,,,,,,,,,,I  
44,3,,172183-73560,, "WASHER, THRUST",8,8,,8,,,,,,,,,,,,,,,,,,,,,I  
45,3,,172183-73570,, "PLATE, THRUST",2,2,,2,,,,,,,,,,,,,,,,,,,,,I  
46,3,,172183-73660,, WIRE,2,2,,2,,,,,,,,,,,,,,,,,,,,,,,,,,,,,I  
49,2,,172421-73400,, SPRING,2,2,,2,,,,,,,,,,,,,,,,,,,,,,,,,,,,,I  
50,2,,172456-73460,, "SLANT PLATE",2,2,,2,,,,,,,,,,,,,,,,,,,,,I  
51,2,,172122-73470,, PIN,2,2,,2,,,,,,,,,,,,,,,,,,,,,,,,,,,,,I  
52,2,,172456-73330,, "BASE PLATE ASSY",2,2,,2,,,,,,,,,,,,,,,,,,,,,I  
55,4,,172141-70410,, "VALVE, CHECK",4,4,,4,,,,,,,,,,,,,,,,,,,,,I  
56,4,,172141-70420,, SPRING,4,4,,4,,,,,,,,,,,,,,,,,,,,,,,,,,,,,I  
58,4,,172421-73380,, PLUG,4,4,,4,,,,,,,,,,,,,,,,,,,,,,,,,,,,,I  
59,4,,172456-73490,, SPOOL,2,2,,2,,,,,,,,,,,,,,,,,,,,,,,,,,,,,I  
61,2,,172122-73480,, PIN,4,4,,4,,,,,,,,,,,,,,,,,,,,,,,,,,,,,I  
63,2,,172456-73500,, SPRING,4,4,,4,,,,,,,,,,,,,,,,,,,,,,,,,,,,,I  
64,2,,172450-73510,, "BALL,STEEL",4,4,,4,,,,,,,,,,,,,,,,,,,,,I  
65,2,,172456-73510,, "CAP, STEERING WHEEL",4,4,,4,,,,,,,,,,,,,,,,,,,,,I  
66,2,,172456-73520,, ORIFICE,4,4,,4,,,,,,,,,,,,,,,,,,,,,,,,,,,,,I  
67,2,,172456-73540,, "VALVE ASSY",2,2,,2,,,,,,,,,,,,,,,,,,,,,I  
68,3,,172148-71580,, SPRING,4,4,,4,,,,,,,,,,,,,,,,,,,,,,,,,,,,,I  
69,3,,172456-73550,, "BODY, VALVE",2,2,,2,,,,,,,,,,,,,,,,,,,,,I  
70,3,,172456-73560,, "CHECK VALVE",4,4,,4,,,,,,,,,,,,,,,,,,,,,I  
71,3,,172183-73770,, PLUG,4,4,,4,,,,,,,,,,,,,,,,,,,,,,,,,,,,,I  
74,3,,24315-000120,, "O-RING 1B P-12.0",2,2,,2,,,,,,,,,,,,,,,,,,,,,I  
75,2,,172450-73550,, "PISTON ASSY",4,4,,4,,,,,,,,,,,,,,,,,,,,,I  
76,2,,172456-73570,, "BOLT, SOCKET HEAD",6,6,,6,,,,,,,,,,,,,,,,,,,,,I  
77,2,,172183-73670,, SHAFT,2,2,,2,,,,,,,,,,,,,,,,,,,,,,,,,,,,,I  
78,2,,172183-73780,, PLUG,2,2,,2,,,,,,,,,,,,,,,,,,,,,,,,,,,,,I  
79,2,,172183-73870,, PLUG,4,4,,4,,,,,,,,,,,,,,,,,,,,,,,,,,,,,I  
80,2,,172312-74790,, ORIFICE,8,8,,8,,,,,,,,,,,,,,,,,,,,,I  
81,2,,24101-060024,, "BALL BEARING",2,2,,2,,,,,,,,,,,,,,,,,,,,,I  
82,2,,24101-060044,, "BALL BEARING #6004",2,2,,2,,,,,,,,,,,,,,,,,,,,,I  
87,2,,26450-080202,, "BOLT M 8X 20",12,12,,12,,,,,,,,,,,,,,,,,,,,,I

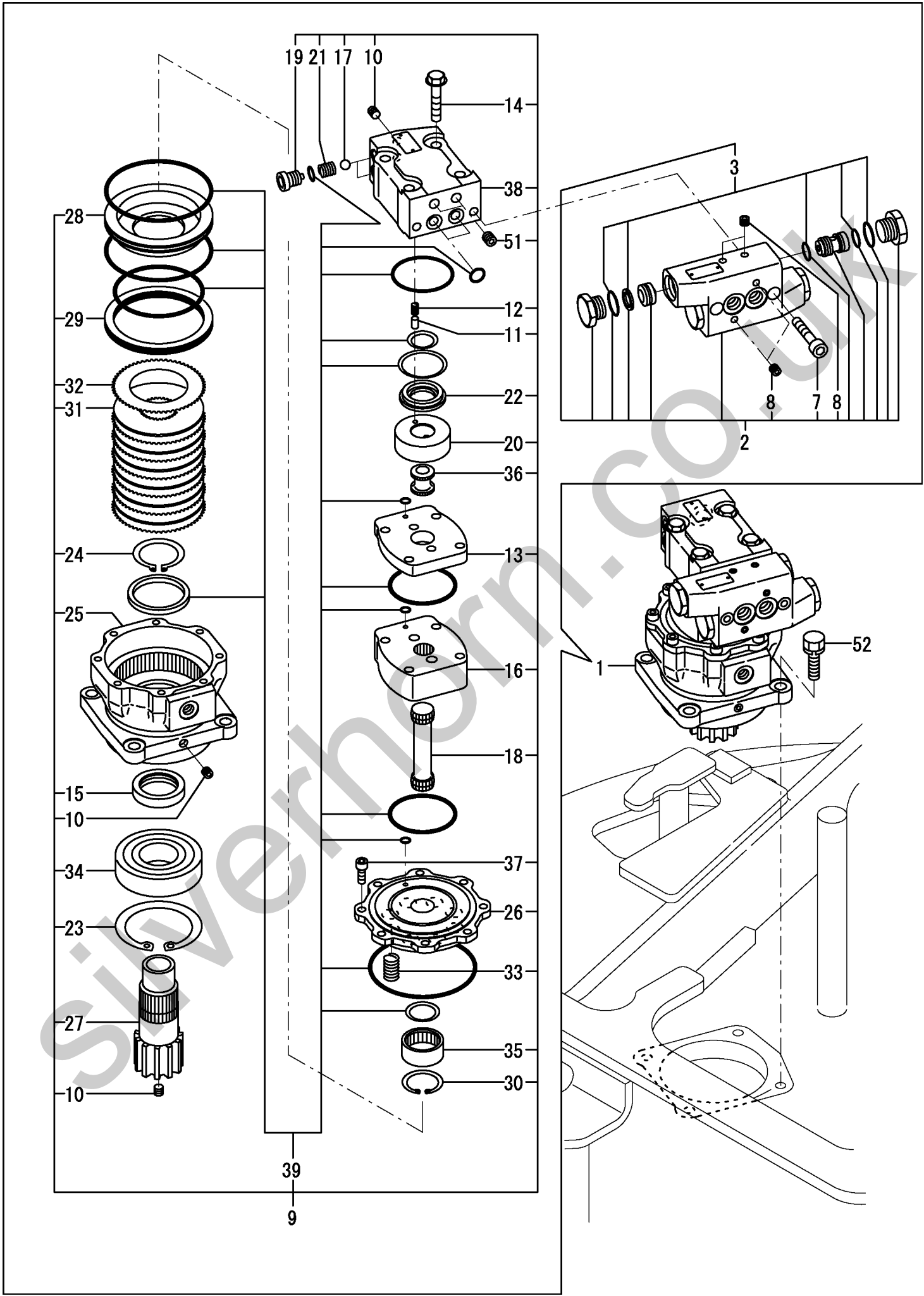
88,1,,172456-73050,, "KIT,TRAVEL MOTOR",,2,,,,,M,,,,,,,,,,,,,I  
88-1,1,,26013-100252,, "BOLT W/WASHER M10X25",16,16,,16,,,,,,,,,,,,,I  
89,1,,172456-73320,, "SEAL SET",2,2,,2,,,,,,,,,,,,,

Silverhorn.CO.UK



1,1,,172456-73310,, "MOTOR, SWING", 1,1,,1, .....  
 2,2,,172456-77100,, VALVE, 1,1,,1, .....  
 3,3,,172456-77110,, "SEAL SET", 1,1,,1, .....  
 7,3,,172456-77130,, "BOLT 6\*65", 2,2,,2, ..... I  
 8,3,,23871-010000,, "PLUG PT1/8, SCREW", 6,6,,6, ..... I  
 9,2,,172456-77140,, "MOTOR, SWING", 1,1,,1, .....  
 10,3,,172137-70490,, PLUG, 4,4,,4, ..... I  
 11,3,,172137-70570,, PIN, 2,2,,2, ..... I  
 12,3,,172137-70580,, SPRING, 2,2,,2, ..... I  
 13,3,,172148-73350,, "PLATE, VALVE", 1,1,,1, ..... I  
 14,3,,172173-73510,, "BOLT 12X40", 4,4,,4, ..... I  
 15,3,,172173-73520,, COLLAR, 1,1,,1, ..... I  
 16,3,,172173-73570,, JIROLLER, 1,1,,1, ..... I  
 17,3,,172168-73580,, BALL, 2,2,,2, ..... I  
 18,3,,172173-73580,, DRIVE, 1,1,,1, ..... I  
 19,3,,172168-73590,, PLUG, 2,2,,2, ..... I  
 20,3,,172173-73590,, HOLDER, 1,1,,1, ..... I  
 21,3,,172168-73600,, SPRING, 2,2,,2, ..... I  
 22,3,,172173-73600,, RING, 1,1,,1, ..... I  
 23,3,,172173-73690,, "SNAP RING", 1,1,,1, ..... I  
 24,3,,172173-73700,, "SNAP RING", 1,1,,1, ..... I  
 25,3,,172456-77150,, "HOUSING, BEARING", 1,1,,1, ..... I  
 26,3,,172456-77160,, "FLANGE, MOUTING", 1,1,,1, ..... I  
 27,3,,172456-77170,, "GEAR, PINION", 1,1,,1, ..... I  
 28,3,,172456-77180,, "PISTON, HYDRAULIC", 1,1,,1, ..... I  
 29,3,,172456-77190,, RING, 1,1,,1, ..... I  
 30,3,,172456-77200,, CIRCLIP, 1,1,,1, ..... I  
 31,3,,172456-77210,, "PLATE, FRICTION", 6,6,,6, ..... I  
 32,3,,172456-77220,, PLATE, 7,7,,7, ..... I  
 33,3,,172456-77230,, SPRING, 8,8,,8, ..... I  
 34,3,,172456-77240,, "FRONT BEARING", 1,1,,1, ..... I  
 35,3,,172456-77250,, "NEEDLE BEARING", 1,1,,1, ..... I  
 36,3,,172141-77260,, "VALVE DRIVE", 1,1,,1, ..... I  
 37,3,,172456-77270,, "BOLT 6\*65", 8,8,,8, ..... I  
 38,3,,172456-77280,, "HOUSING, VALVE", 1,1,,1, ..... I  
 39,3,,172456-77290,, "SEAL SET", 1,1,,1, .....  
 51,3,,172141-77400,, "PLUG, BLIND", 2,2,,2, .....  
 52,1,,172456-77050,, "KIT, TURNING MOTOR", 1, ..... M, ..... I  
 52-1,1,,26013-120402,, "BOLT M12X 40", 4,4,,4, ..... I

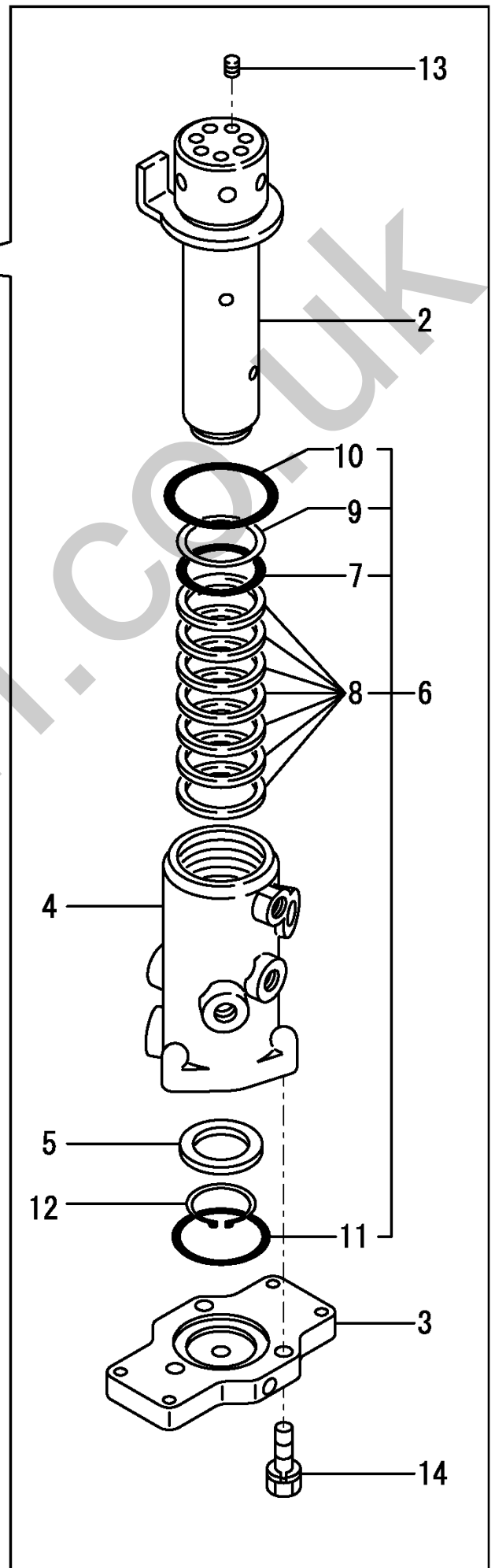
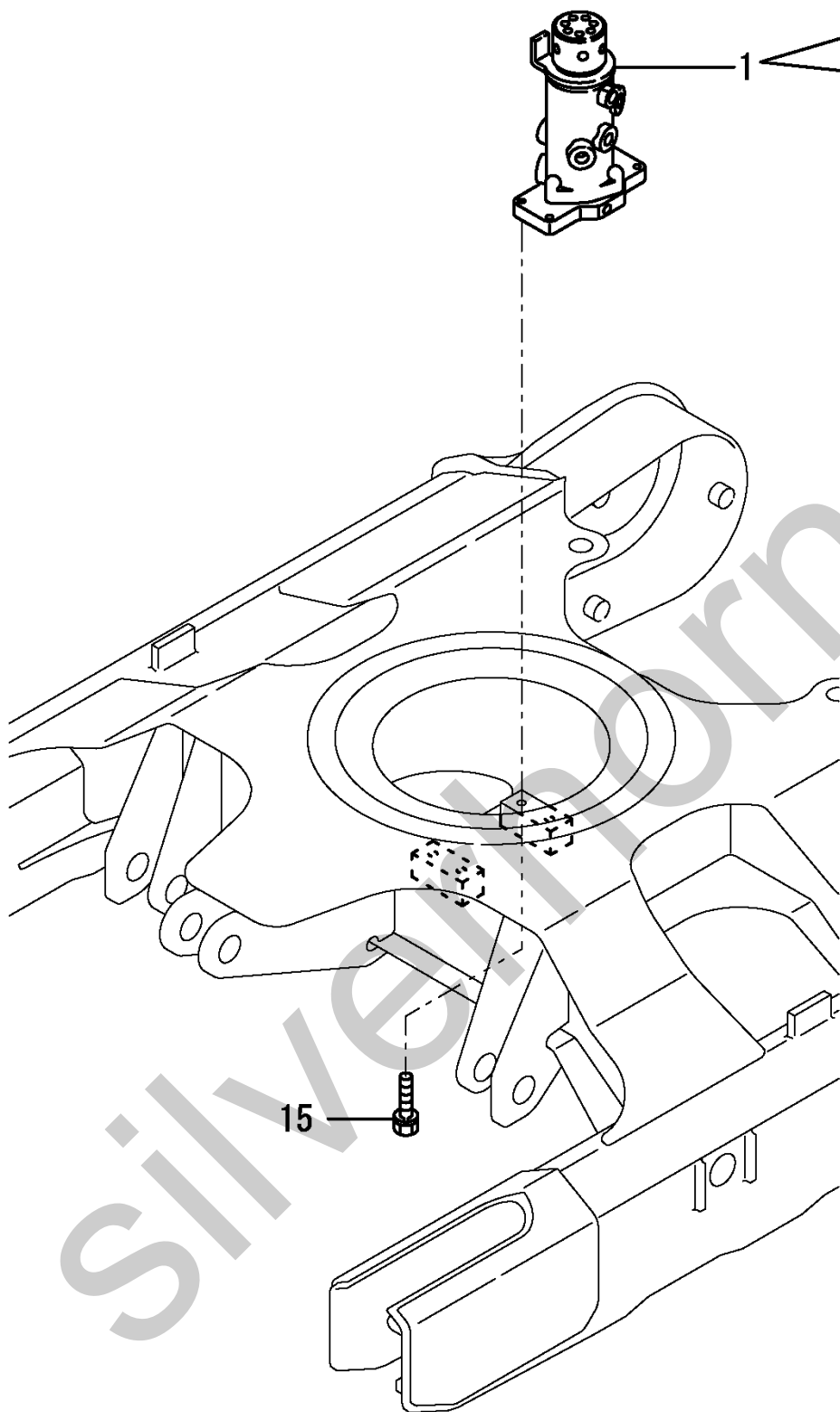




1,1,,172444-73802,, "JOINT ASSY, SWIVEL",1,1,,1,,,,,,,,,,,,,  
2,2,,172444-73810,, "SHAFT, SWIVEL",1,1,,1,,,,,,,,,,,,,  
3,2,,172444-73840,, "FLANGE, SWIVEL",1,1,,1,,,,,,,,,,,,,  
4,2,,172444-73831,, "HUB, SWIVEL",1,1,,1,,,,,,,,,,,,,  
5,2,,172137-73860,, "SPACER, SWIVEL",1,1,,1,,,,,,,,,,,,,  
6,2,,172444-73880,, "SEAL KIT,SWIVEL",1,1,,1,,,,,,,,,,,,,  
7,3,,172142-73800,, "O-RING 55.76X5.7",1,1,,1,,,,,,,,,,,,,  
8,3,,172458-73820,, "SEAL, SWIVEL",7,7,,7,,,,,,,,,,,,,  
9,3,,172148-73870,, "RING EL, BACK UP",1,1,,1,,,,,,,,,,,,,  
10,3,,24311-000750,, "O-RING 1A P-75.0",1,1,,1,,,,,,,,,,,,,  
11,3,,24321-000700,, "O-RING 1A G70.0,NBR",1,1,,1,,,,,,,,,,,,,  
12,2,,22242-000451,, "CIRCLIP 45",1,1,,1,,,,,,,,,,,,,  
13,2,,23871-020000,, "PLUG PT1/4,SCREW",7,7,,7,,,,,,,,,,,,,  
14,2,,26013-100352,, "BOLT M10X 35",3,3,,3,,,,,,,,,,,,,  
15,1,,26013-100402,, "BOLT M10X 40",4,4,,4,,,,,,,,,,,,,

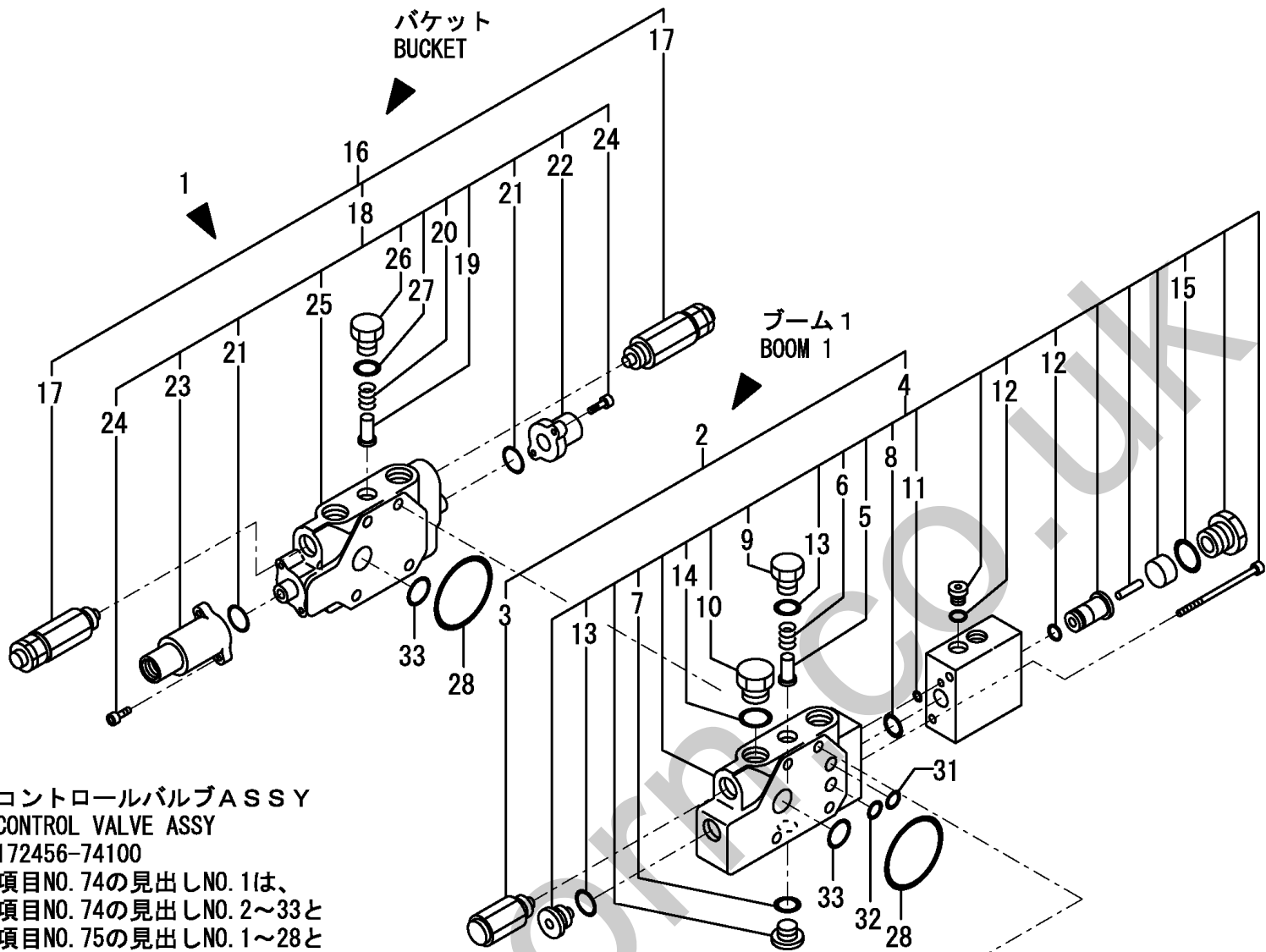
Silverhorn.CO.UK





1,1,,172456-74100,, "VALVE ASSY,CONTROL",1,1,1,,,,,,,,,,,,,  
 2,2,,172456-74380,, "BOOM LOCK  
 SEC.",1,1,1,,,,,724560316,,724560316,,,,,724560316,,,,,I  
 3,3,,172447-74230,, ANTI-CAVITATION,1,1,1,,,,,,,,,,,,,  
 4,3,,172456-74260,, "BOOM LOCK ASSY",1,1,1,,,,,,,,,,,,,  
 5,4,,172458-74290,, "CHECK VALVE",1,1,1,,,,,,,,,,,,,I  
 6,4,,172458-74360,, "SPRING, CHECK VALVE",1,1,1,,,,,,,,,,,,,I  
 7,4,,172456-74410,, "PACKING P 16",1,1,1,,,,,,,,,,,,,  
 8,4,,172456-74420,, "PACKING P 17",1,1,1,,,,,,,,,,,,,  
 9,4,,172458-74640,, "STAY, CHECK VALVE",1,1,1,,,,,,,,,,,,,I  
 10,4,,172458-74650,, "STAY, CHECK VALVE",1,1,1,,,,,,,,,,,,,I  
 11,4,,24311-000060,, "O-RING 1A P-6.0",1,1,1,,,,,,,,,,,,,  
 12,4,,24315-000080,, "O-RING 1B P-8.0",2,2,2,,,,,,,,,,,,,I  
 13,4,,24315-000110,, "O-RING 1B P-11.0",2,2,2,,,,,,,,,,,,,  
 14,4,,24315-000140,, "O-RING 1B P-14.0",1,1,1,,,,,,,,,,,,,  
 15,4,,24315-000180,, "O-RING 1B P-18.0",1,1,1,,,,,,,,,,,,,  
 16,2,,172456-74390,, "BUCKET CHANGE-OVER",1,1,1,,,,,,,,,,,,,  
 17,3,,172456-74280,, "OVERLOAD 250/5",2,2,2,,,,,,,,,,,,,  
 18,3,,172458-74610,, "BUCKET SEC. ASSY",1,1,1,,,,,,,,,,,,,  
 19,4,,172458-74150,, "CHECK VALVE",1,1,1,,,,,,,,,,,,,I  
 20,4,,172458-74160,, "SPRING, CHECK VALVE",1,1,1,,,,,,,,,,,,,I  
 21,4,,172458-74230,, "PACKING S 22",2,2,2,,,,,,,,,,,,,  
 22,4,,172458-74240,, "COVER B1, PILOT",1,1,1,,,,,,,,,,,,,I  
 23,4,,172458-74250,, "COVER A1, PILOT",1,1,1,,,,,,,,,,,,,I  
 24,4,,172458-74260,, "SWP HEX.BOLT 5X20",4,4,4,,,,,,,,,,,,,I  
 25,4,,172458-74620,, "SPOOL ASSY,BUCKET",1,1,1,,,,,,,,,,,,,I  
 26,4,,172458-74630,, "STAY, CHECK VALVE",1,1,1,,,,,,,,,,,,,I  
 27,4,,24315-000110,, "O-RING 1B P-11.0",1,1,1,,,,,,,,,,,,,  
 28,2,,172458-74720,, "PACKING G 4",2,2,2,,,,,,,,,,,,,  
 29,2,,172458-74730,, "BOLT L380",4,4,4,,,,,,,,,,,,,  
 30,2,,26716-080002,, "NUT M 8",4,4,4,,,,,,,,,,,,,  
 31,2,,24315-000090,, "O-RING 1B P- 9.0",1,1,1,,,,,,,,,,,,,  
 32,2,,24315-000100,, "O-RING 1B P-10.0",1,1,1,,,,,,,,,,,,,  
 33,2,,24311-000180,, "O-RING 1A P-18.0",2,2,2,,,,,,,,,,,,,  
 34,1,,26013-100162,, "BOLT M10X 16",3,3,3,,,,,,,,,,,,,





コントロールバルブ ASSY  
CONTROL VALVE ASSY  
172456-74100

項目NO. 74の見出しNO. 1は、  
項目NO. 74の見出しNO. 2~33と  
項目NO. 75の見出しNO. 1~28と  
項目NO. 76の見出しNO. 1~25と  
項目NO. 77の見出しNO. 1~30と  
項目NO. 78の見出しNO. 1~34と  
項目NO. 79の見出しNO. 1~25を含みます。

Fig. 74 Ref. No. 1

INC. Fig. 74 Ref. No. 2~33.

Fig. 75 Ref. No. 1~28.

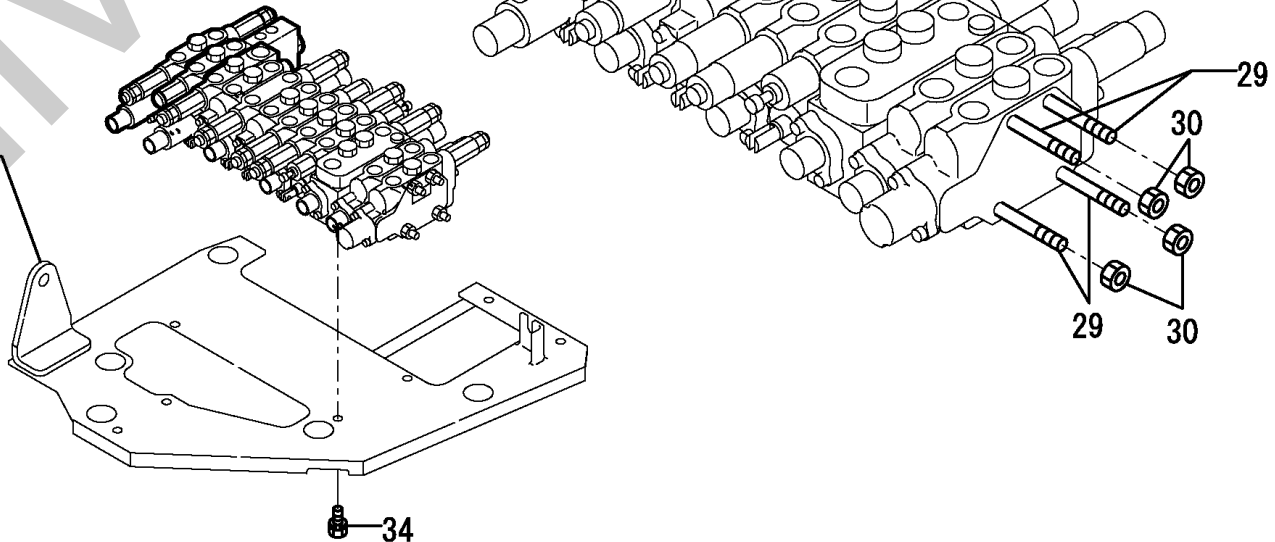
Fig. 76 Ref. No. 1~25.

Fig. 77 Ref. No. 1~30.

Fig. 78 Ref. No. 1~34.

Fig. 79 Ref. No. 1~25.

REFER TO Fig. 37



1,2,,172456-74190,, "DRIVE R SEC. ASSY",1,1,,1,,,,,,,,,,,,,I  
 2,3,,172458-74130,, "DUST WIPER",1,1,,1,,,,,,,,,,,,,I  
 3,3,,172458-74140,, "BRACKET, OIL SEAL",1,1,,1,,,,,,,,,,,,,I  
 4,3,,172458-74170,, "CAP, SPRING",1,1,,1,,,,,,,,,,,,,I  
 5,3,,172456-74230,, "SPOOL ASSY, TRAVEL",1,1,,1,,,,,,,,,,,,,I  
 6,3,,172458-74290,, "CHECK VALVE",1,1,,1,,,,,,,,,,,,,I  
 7,3,,172458-74360,, "SPRING, CHECK VALVE",1,1,,1,,,,,,,,,,,,,I  
 8,3,,172458-74460,, "PLUG GPM1/32",2,2,,2,,,,,,,,,,,,,I  
 9,3,,172458-74640,, "STAY, CHECK VALVE",1,1,,1,,,,,,,,,,,,,I  
 10,3,,24311-000120,, "O-RING 1A P 12.0",1,1,,1,,,,,,,,,,,,,I  
 11,3,,24315-000110,, "O-RING 1B P-11.0",1,1,,1,,,,,,,,,,,,,I  
 12,3,,26450-050102,, "BOLT M 5X 10",2,2,,2,,,,,,,,,,,,,I  
 13,3,,26450-050182,, "BOLT 5\* 18",2,2,,2,,,,,,,,,,,,,I  
 14,2,,172456-74370,, "BOOM CHANGE-OVER",1,1,,1,,,,,,,,,,,,,I  
 15,3,,172456-74240,, "BOOM SEC. ASSY",1,1,,1,,,,,,,,,,,,,I  
 16,4,,172458-74150,, "CHECK VALVE",1,1,,1,,,,,,,,,,,,,I  
 17,4,,172458-74160,, "SPRING, CHECK VALVE",1,1,,1,,,,,,,,,,,,,I  
 18,4,,172458-74230,, "PACKING S 22",2,2,,2,,,,,,,,,,,,,I  
 19,4,,172458-74240,, "COVER B1, PILOT",1,1,,1,,,,,,,,,,,,,I  
 20,4,,172456-74250,, "SPOOL ASSY, BOOM",1,1,,1,,,,,,,,,,,,,I  
 21,4,,172458-74250,, "COVER A1, PILOT",1,1,,1,,,,,,,,,,,,,I  
 22,4,,172458-74260,, "SWP HEX. BOLT 5X20",4,4,,4,,,,,,,,,,,,,I  
 23,4,,172458-74630,, "STAY, CHECK VALVE",1,1,,1,,,,,,,,,,,,,I  
 24,4,,24315-000110,, "O-RING 1B P-11.0",1,1,,1,,,,,,,,,,,,,I  
 25,3,,172456-74280,, "OVERLOAD 250/5",1,1,,1,,,,,,,,,,,,,I  
 26,2,,172458-74720,, "PACKING G 4",2,2,,2,,,,,,,,,,,,,I  
 27,2,,24311-000180,, "O-RING 1A P-18.0",1,1,,1,,,,,,,,,,,,,I  
 28,2,,24311-000060,, "O-RING 1A P-6.0",2,2,,2,,,,,,,,,,,,,I



コントロールバルブASSY

CONTROL VALVE ASSY

172456-74100

項目NO. 74の見出しNO. 1は、  
項目NO. 74の見出しNO. 2~33と  
項目NO. 75の見出しNO. 1~28と  
項目NO. 76の見出しNO. 1~25と  
項目NO. 77の見出しNO. 1~30と  
項目NO. 78の見出しNO. 1~34と  
項目NO. 79の見出しNO. 1~25を含みます。

Fig. 74 Ref. No. 1

INC. Fig. 74 Ref. No. 2~33.

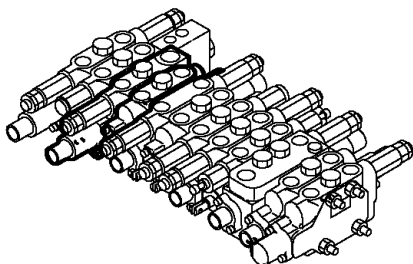
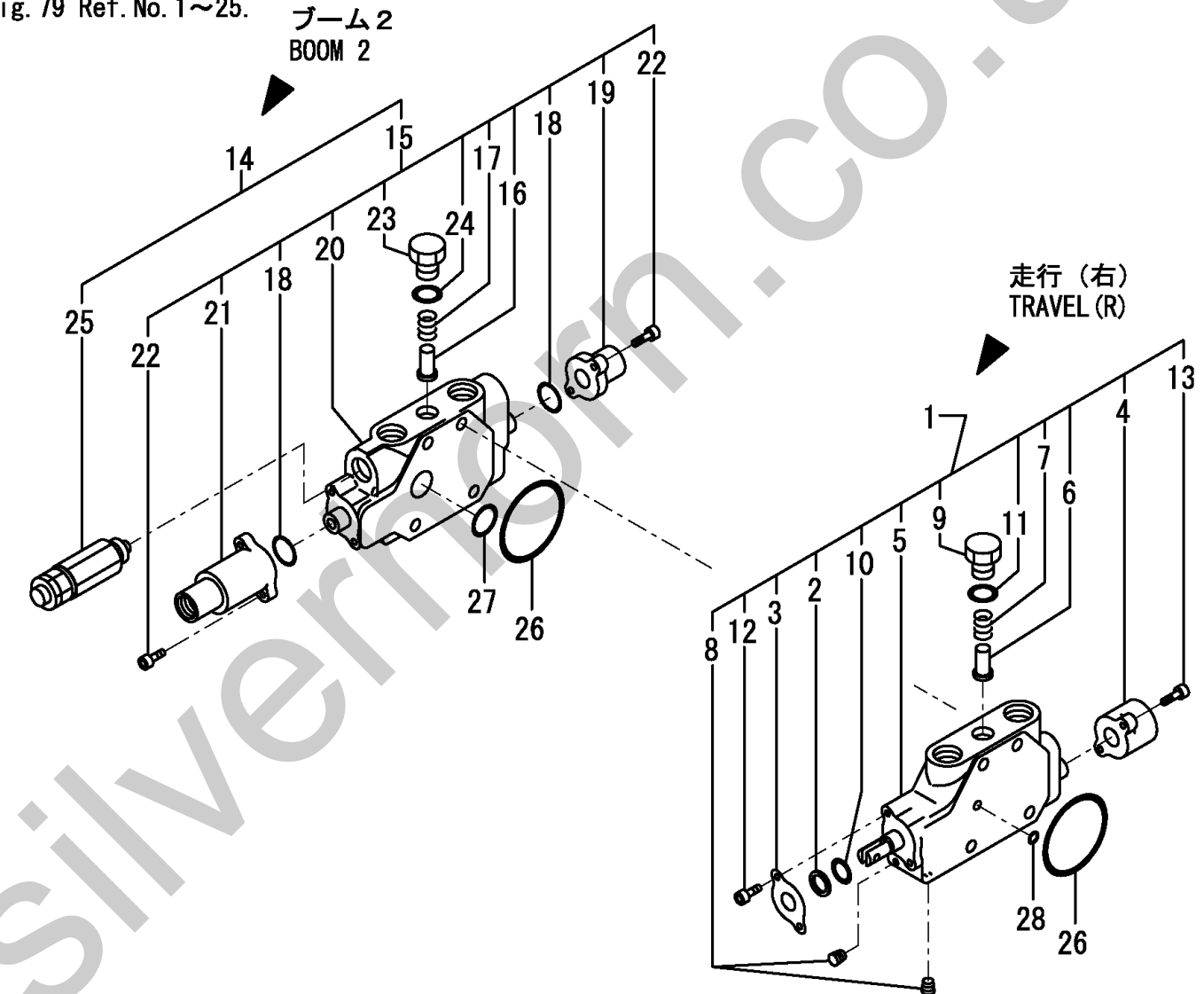
Fig. 75 Ref. No. 1~28.

Fig. 76 Ref. No. 1~25.

Fig. 77 Ref. No. 1~30.

Fig. 78 Ref. No. 1~34.

Fig. 79 Ref. No. 1~25.



1,2,,172456-74170,, "DRIVE L SEC. ASSY",1,1,,1,,,,,,,,,,,,,  
 2,3,,172458-74130,, "DUST WIPER",1,1,,1,,,,,,,,,,,,,  
 3,3,,172458-74140,, "BRACKET, OIL SEAL",1,1,,1,,,,,,,,,,,,,I  
 4,3,,172458-74170,, "CAP, SPRING",1,1,,1,,,,,,,,,,,,,I  
 5,3,,172456-74180,, "SPOOL ASSY, TRAVEL",1,1,,1,,,,,,,,,,,,,I  
 6,3,,172458-74290,, "CHECK VALVE",1,1,,1,,,,,,,,,,,,,I  
 7,3,,172458-74360,, "SPRING, CHECK VALVE",1,1,,1,,,,,,,,,,,,,I  
 8,3,,172458-74460,, "PLUG GPM1/32",2,2,,2,,,,,,,,,,,,,I  
 9,3,,172458-74640,, "STAY, CHECK VALVE",1,1,,1,,,,,,,,,,,,,I  
 10,3,,24311-000120,, "O-RING 1A P 12.0",1,1,,1,,,,,,,,,,,,,  
 11,3,,24315-000110,, "O-RING 1B P-11.0",1,1,,1,,,,,,,,,,,,,  
 12,3,,26450-050102,, "BOLT M 5X 10",2,2,,2,,,,,,,,,,,,,I  
 13,3,,26450-050182,, "BOLT 5\* 18",2,2,,2,,,,,,,,,,,,,I  
 14,2,,172456-74350,, "INLET DIVISION",1,1,,1,,,,,,,,,,,,,  
 15,3,,172456-74400,, "VALVE, RELIEF 210/20",2,2,,2,,,,,,,,,,,,,  
 16,3,,172458-74520,, "INLET SEC. ASSY",1,1,,1,,,,,,,,,,,,,  
 17,4,,172458-74230,, "PACKING S 22",2,2,,2,,,,,,,,,,,,,  
 18,4,,172458-74240,, "COVER B1, PILOT",1,1,,1,,,,,,,,,,,,,I  
 19,4,,172458-74260,, "SWP HEX. BOLT 5X20",4,4,,4,,,,,,,,,,,,,I  
 20,4,,172458-74530,, "SEAT, SPRING",1,1,,1,,,,,,,,,,,,,I  
 21,4,,172458-74540,, "SPRING, RETURN",1,1,,1,,,,,,,,,,,,,I  
 22,4,,172458-74550,, "COVER A2, PILOT",1,1,,1,,,,,,,,,,,,,I  
 23,2,,172458-74720,, "PACKING G 4",2,2,,2,,,,,,,,,,,,,  
 24,2,,24311-000060,, "O-RING 1A P-6.0",2,2,,2,,,,,,,,,,,,,  
 25,2,,24311-000180,, "O-RING 1A P-18.0",1,1,,1,,,,,,,,,,,,,



コントロールバルブASSY

CONTROL VALVE ASSY

172456-74100

項目NO. 74の見出しNO. 1は、  
項目NO. 74の見出しNO. 2~33と  
項目NO. 75の見出しNO. 1~28と  
項目NO. 76の見出しNO. 1~25と  
項目NO. 77の見出しNO. 1~30と  
項目NO. 78の見出しNO. 1~34と  
項目NO. 79の見出しNO. 1~25を含みます。

Fig. 74 Ref. No. 1

INC. Fig. 74 Ref. No. 2~33.

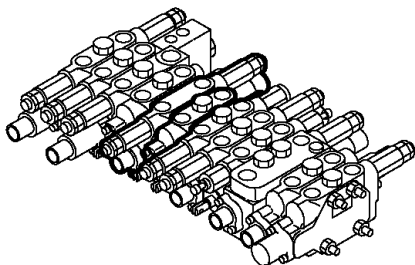
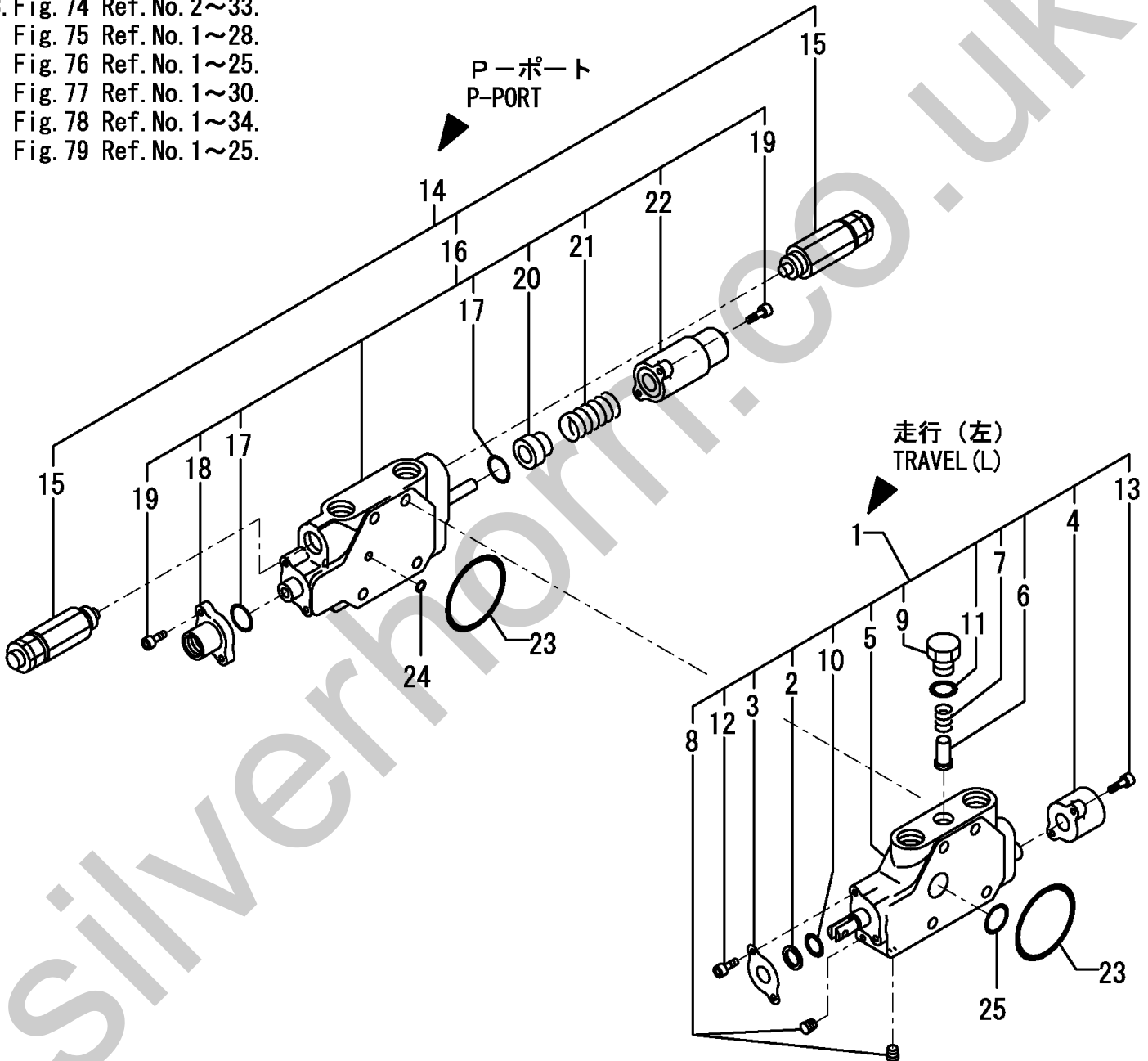
Fig. 75 Ref. No. 1~28.

Fig. 76 Ref. No. 1~25.

Fig. 77 Ref. No. 1~30.

Fig. 78 Ref. No. 1~34.

Fig. 79 Ref. No. 1~25.



1,2,,172456-74320,, "ARM CHANGE-OVER",1,1,,1,,,,,,,,,,,,,  
 2,3,,172456-74150,, "ARM SEC. ASSY",1,1,,1,,,,,,,,,,,,,  
 3,4,,172458-74150,, "CHECK VALVE",1,1,,1,,,,,,,,,,,,,I  
 4,4,,172456-74160,, "SPOOL ASSY,BOOM",1,1,,1,,,,,,,,,,,,,I  
 5,4,,172458-74160,, "SPRING, CHECK VALVE",1,1,,1,,,,,,,,,,,,,I  
 6,4,,172458-74230,, "PACKING S 22",2,2,,2,,,,,,,,,,,,,  
 7,4,,172458-74240,, "COVER B1, PILOT",1,1,,1,,,,,,,,,,,,,I  
 8,4,,172458-74250,, "COVER A1, PILOT",1,1,,1,,,,,,,,,,,,,I  
 9,4,,172458-74260,, "SWP HEX.BOLT 5X20",4,4,,4,,,,,,,,,,,,,I  
 10,4,,172458-74630,, "STAY, CHECK VALVE",1,1,,1,,,,,,,,,,,,,I  
 11,4,,24315-000110,, "O-RING 1B P-11.0",1,1,,1,,,,,,,,,,,,,  
 12,3,,172447-74221,, "PORT RELIFE VALVE",1,1,,1,,,,,,,,,,,,,  
 13,3,,172447-74230,, "ANTI-CAVITATION",1,1,,1,,,,,,,,,,,,,  
 14,2,,172456-74330,, "SWING CHANGE-OVER",1,1,,1,,,,,,,,,,,,,  
 15,3,,172447-74230,, "ANTI-CAVITATION",1,1,,1,,,,,,,,,,,,,  
 16,3,,172456-74290,, "RELIEF VALVE PLUG",1,1,,1,,,,,,,,,,,,,  
 17,3,,172458-74420,, "SWING SEC. ASSY",1,1,,1,,,,,,,,,,,,,  
 18,4,,172458-74130,, "DUST WIPER",1,1,,1,,,,,,,,,,,,,  
 19,4,,172458-74140,, "BRACKET, OIL SEAL",1,1,,1,,,,,,,,,,,,,I  
 20,4,,172458-74150,, "CHECK VALVE",1,1,,1,,,,,,,,,,,,,I  
 21,4,,172458-74160,, "SPRING, CHECK VALVE",1,1,,1,,,,,,,,,,,,,I  
 22,4,,172458-74430,, "SPOOL ASSY,SWING",1,1,,1,,,,,,,,,,,,,I  
 23,4,,172458-74630,, "STAY, CHECK VALVE",1,1,,1,,,,,,,,,,,,,I  
 24,4,,24311-000120,, "O-RING 1A P 12.0",1,1,,1,,,,,,,,,,,,,  
 25,4,,24315-000110,, "O-RING 1B P-11.0",1,1,,1,,,,,,,,,,,,,  
 26,4,,26450-050102,, "BOLT M 5X 10",2,2,,2,,,,,,,,,,,,,I  
 27,4,,26450-050182,, "BOLT 5\* 18",2,2,,2,,,,,,,,,,,,,I  
 28,4,,172458-74170,, "CAP,SPRING",1,1,,1,,,,,,,,,,,,,I  
 29,2,,172458-74720,, "PACKING G 4",2,2,,2,,,,,,,,,,,,,I  
 30,2,,24311-000180,, "O-RING 1A P-18.0",3,3,,3,,,,,,,,,,,,,I





コントロールバルブ ASSY

CONTROL VALVE ASSY

172456-74100

項目NO. 74の見出しNO. 1は、  
項目NO. 74の見出しNO. 2~33と  
項目NO. 75の見出しNO. 1~28と  
項目NO. 76の見出しNO. 1~25と  
項目NO. 77の見出しNO. 1~30と  
項目NO. 78の見出しNO. 1~34と  
項目NO. 79の見出しNO. 1~25を含みます。

Fig. 74 Ref. No. 1

INC. Fig. 74 Ref. No. 2~33.

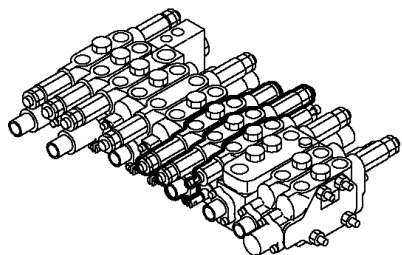
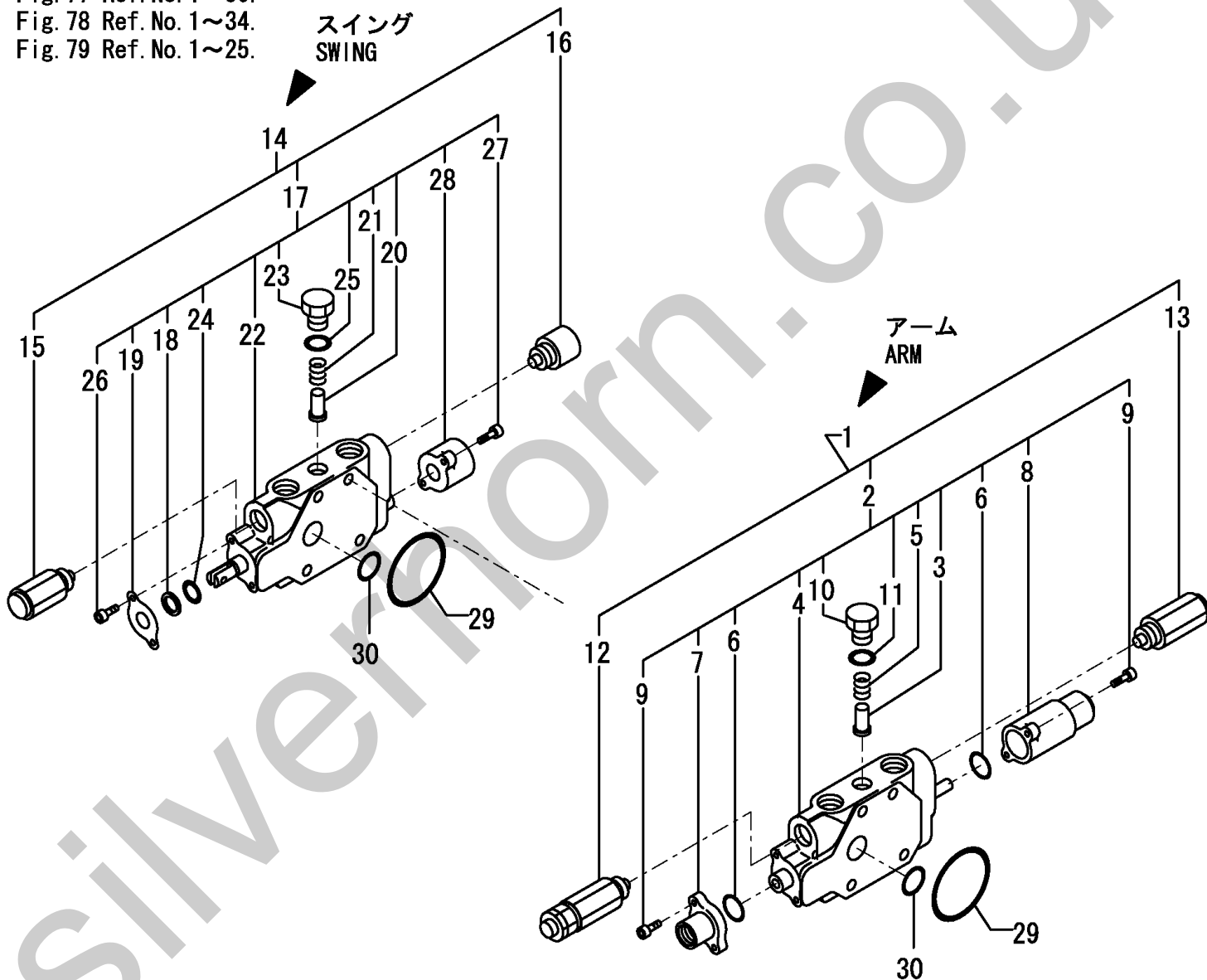
Fig. 75 Ref. No. 1~28.

Fig. 76 Ref. No. 1~25.

Fig. 77 Ref. No. 1~30.

Fig. 78 Ref. No. 1~34.

Fig. 79 Ref. No. 1~25.



1,2,,172456-74310,, "COMBINED FLOW DIV.",1,1,,1,,,,,,,,,,,,,  
2,3,,172456-74130,, "COMBINED FLOW SEC.",1,1,,1,,,,,,,,,,,,,  
3,4,,172456-74140,, "SPOOL ASSY,JOIN",1,1,,1,,,,,,,,,,,,,I  
4,4,,172457-74190,, "RESTRICTION, M6-0.9",1,1,,1,,,,,,,,,,,,,I  
5,4,,172458-74230,, "PACKING S 22",2,2,,2,,,,,,,,,,,,,  
6,4,,172458-74240,, "COVER B1, PILOT",1,1,,1,,,,,,,,,,,,,I  
7,4,,172458-74250,, "COVER A1, PILOT",1,1,,1,,,,,,,,,,,,,I  
8,4,,172458-74260,, "SWP HEX.BOLT 5X20",4,4,,4,,,,,,,,,,,,,I  
9,4,,172458-74290,, "CHECK VALVE",2,2,,2,,,,,,,,,,,,,I  
10,4,,172458-74360,, "SPRING, CHECK VALVE",2,2,,2,,,,,,,,,,,,,I  
11,4,,172458-74640,, "STAY, CHECK VALVE",2,2,,2,,,,,,,,,,,,,I  
12,4,,172458-74660,, "PLUG NPT1/16,SCREW",2,2,,2,,,,,,,,,,,,,I  
13,4,,172458-74670,, "PLUG,PF1/8",2,2,,2,,,,,,,,,,,,,I  
14,4,,24315-000080,, "O-RING 1B P-8.0",2,2,,2,,,,,,,,,,,,,  
15,4,,24315-000110,, "O-RING 1B P-11.0",2,2,,2,,,,,,,,,,,,,  
16,3,,172456-74270,, "VALVE, RELIEF 170/20",1,1,,1,,,,,,,,,,,,,  
17,2,,172458-74780,, "PTO CHANGE-  
OVER",1,1,,1,,,,,724560323,,724560323,,,,,724560323,,,,,I  
18,3,,172458-74380,, "PTO SEC. ASSY",1,1,,1,,,,,,,,,,,,,  
19,4,,172458-74130,, "DUST WIPER",1,1,,1,,,,,,,,,,,,,  
20,4,,172458-74140,, "BRACKET, OIL SEAL",1,1,,1,,,,,,,,,,,,,I  
21,4,,172458-74150,, "CHECK VALVE",1,1,,1,,,,,,,,,,,,,I  
22,4,,172458-74160,, "SPRING, CHECK VALVE",1,1,,1,,,,,,,,,,,,,I  
23,4,,172458-74170,, "CAP,SPRING",1,1,,1,,,,,,,,,,,,,I  
24,4,,172458-74390,, "SPOOL ASSY,PTO",1,1,,1,,,,,,,,,,,,,I  
25,4,,172458-74630,, "STAY, CHECK VALVE",1,1,,1,,,,,,,,,,,,,I  
26,4,,172458-74650,, "STAY, CHECK VALVE",2,2,,2,,,,,,,,,,,,,I  
27,4,,24311-000120,, "O-RING 1A P 12.0",1,1,,1,,,,,,,,,,,,,  
28,4,,24315-000110,, "O-RING 1B P-11.0",1,1,,1,,,,,,,,,,,,,  
29,4,,24315-000140,, "O-RING 1B P-14.0",2,2,,2,,,,,,,,,,,,,  
30,4,,26450-050102,, "BOLT M 5X 10",2,2,,2,,,,,,,,,,,,,I  
31,4,,26450-050182,, "BOLT 5\* 18",2,2,,2,,,,,,,,,,,,,I  
32,3,,172458-74740,, "SHUT OFF VALVE",2,2,,2,,,,,,,,,,,,,  
33,2,,172458-74720,, "PACKING G 4",2,2,,2,,,,,,,,,,,,,  
34,2,,24311-000180,, "O-RING 1A P-18.0",1,1,,1,,,,,,,,,,,,,



コントロールバルブASSY

CONTROL VALVE ASSY

172456-74100

項目NO. 74の見出しNO. 1は、  
項目NO. 74の見出しNO. 2~33と  
項目NO. 75の見出しNO. 1~28と  
項目NO. 76の見出しNO. 1~25と  
項目NO. 77の見出しNO. 1~30と  
項目NO. 78の見出しNO. 1~34と  
項目NO. 79の見出しNO. 1~25を含みます。

Fig. 74 Ref. No. 1

INC. Fig. 74 Ref. No. 2~33.

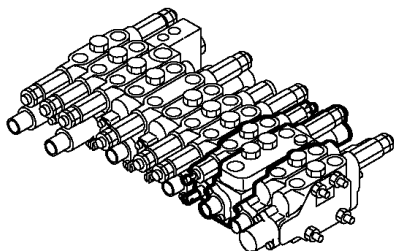
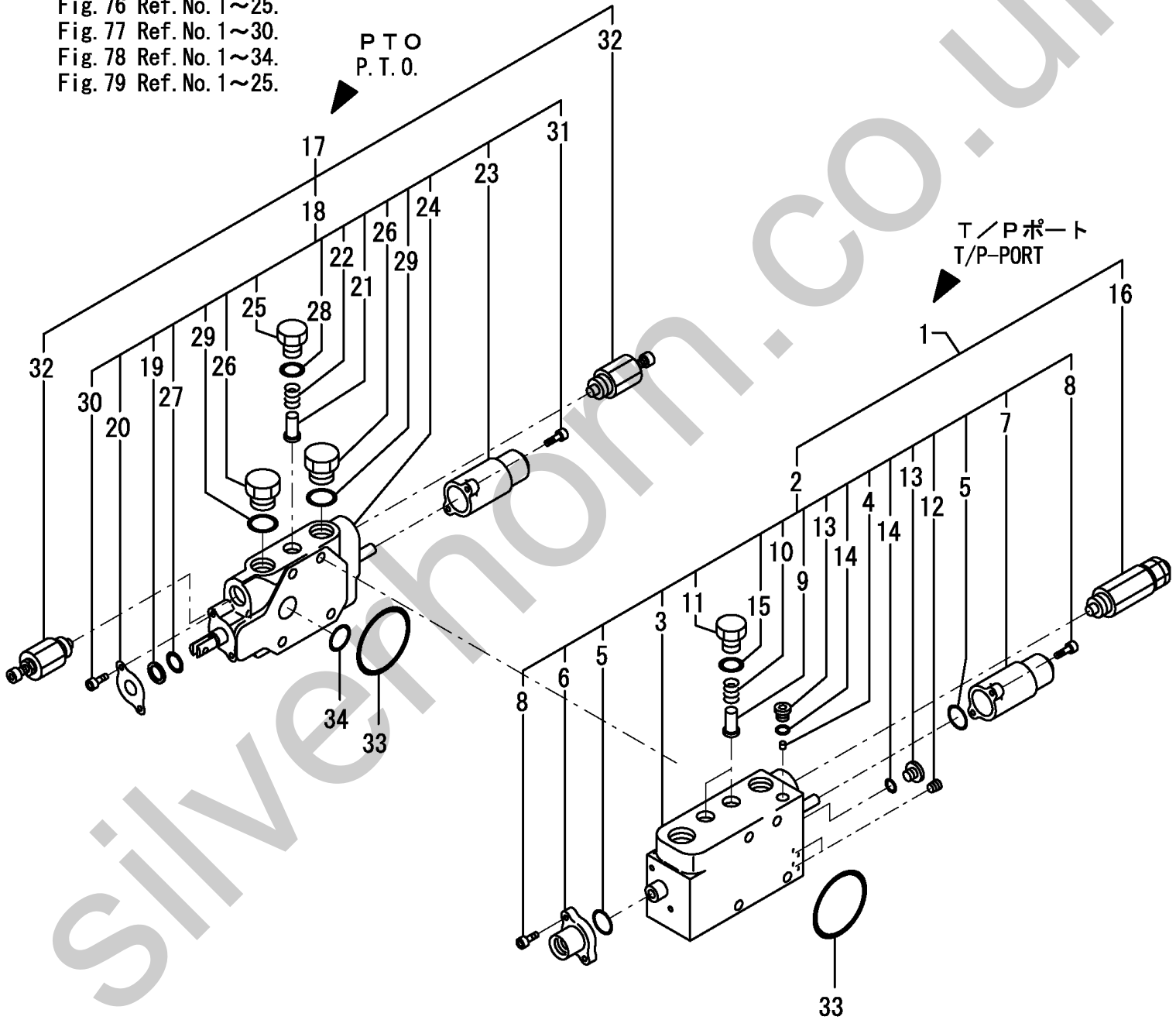
Fig. 75 Ref. No. 1~28.

Fig. 76 Ref. No. 1~25.

Fig. 77 Ref. No. 1~30.

Fig. 78 Ref. No. 1~34.

Fig. 79 Ref. No. 1~25.



1,2,,172456-74110,, "TURNING SEC. ASSY",1,1,,1,,,,,,,,,,,,,I  
2,3,,172456-74120,, "SPOOL ASSY,TURNING",1,1,,1,,,,,,,,,,,,,I  
3,3,,172458-74150,, "CHECK VALVE",1,1,,1,,,,,,,,,,,,,I  
4,3,,172458-74160,, "SPRING, CHECK VALVE",1,1,,1,,,,,,,,,,,,,I  
5,3,,172458-74230,, "PACKING S 22",2,2,,2,,,,,,,,,,,,,I  
6,3,,172458-74240,, "COVER B1, PILOT",1,1,,1,,,,,,,,,,,,,I  
7,3,,172458-74250,, "COVER A1, PILOT",1,1,,1,,,,,,,,,,,,,I  
8,3,,172458-74260,, "SWP HEX.BOLT 5X20",4,4,,4,,,,,,,,,,,,,I  
9,3,,172458-74630,, "STAY, CHECK VALVE",1,1,,1,,,,,,,,,,,,,I  
10,3,,24315-000110,, "O-RING 1B P-11.0",1,1,,1,,,,,,,,,,,,,I  
11,2,,172458-74750,, "BLADE CHANGE-OVER",1,1,,1,,,,,,,,,,,,,I  
12,3,,172458-74110,, "BLADE SEC. ASSY",1,1,,1,,,,,,,,,,,,,I  
13,4,,172458-74120,, "SPOOL ASSY,BLADE",1,1,,1,,,,,,,,,,,,,I  
14,4,,172458-74130,, "DUST WIPER",1,1,,1,,,,,,,,,,,,,I  
15,4,,172458-74140,, "BRACKET, OIL SEAL",1,1,,1,,,,,,,,,,,,,I  
16,4,,172458-74150,, "CHECK VALVE",1,1,,1,,,,,,,,,,,,,I  
17,4,,172458-74160,, "SPRING, CHECK VALVE",1,1,,1,,,,,,,,,,,,,I  
18,4,,172458-74170,, "CAP,SPRING",1,1,,1,,,,,,,,,,,,,I  
19,4,,172458-74630,, "STAY, CHECK VALVE",1,1,,1,,,,,,,,,,,,,I  
20,4,,24311-000120,, "O-RING 1A P 12.0",1,1,,1,,,,,,,,,,,,,I  
21,4,,24315-000110,, "O-RING 1B P-11.0",1,1,,1,,,,,,,,,,,,,I  
22,4,,26450-050102,, "BOLT M 5X 10",2,2,,2,,,,,,,,,,,,,I  
23,4,,26450-050182,, "BOLT 5\* 18",2,2,,2,,,,,,,,,,,,,I  
24,3,,172458-74700,, "OVERLOAD 100",1,1,,1,,,,,,,,,,,,,I  
25,2,,172458-74720,, "PACKING G 4",1,1,,1,,,,,,,,,,,,,I



コントロールバルブASSY

CONTROL VALVE ASSY

172456-74100

項目NO. 74の見出しNO. 1は、  
項目NO. 74の見出しNO. 2~33と  
項目NO. 75の見出しNO. 1~28と  
項目NO. 76の見出しNO. 1~25と  
項目NO. 77の見出しNO. 1~30と  
項目NO. 78の見出しNO. 1~34と  
項目NO. 79の見出しNO. 1~25を含みます。

Fig. 74 Ref. No. 1

INC. Fig. 74 Ref. No. 2~33.

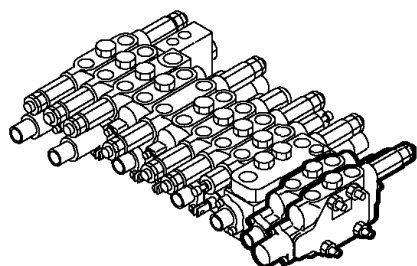
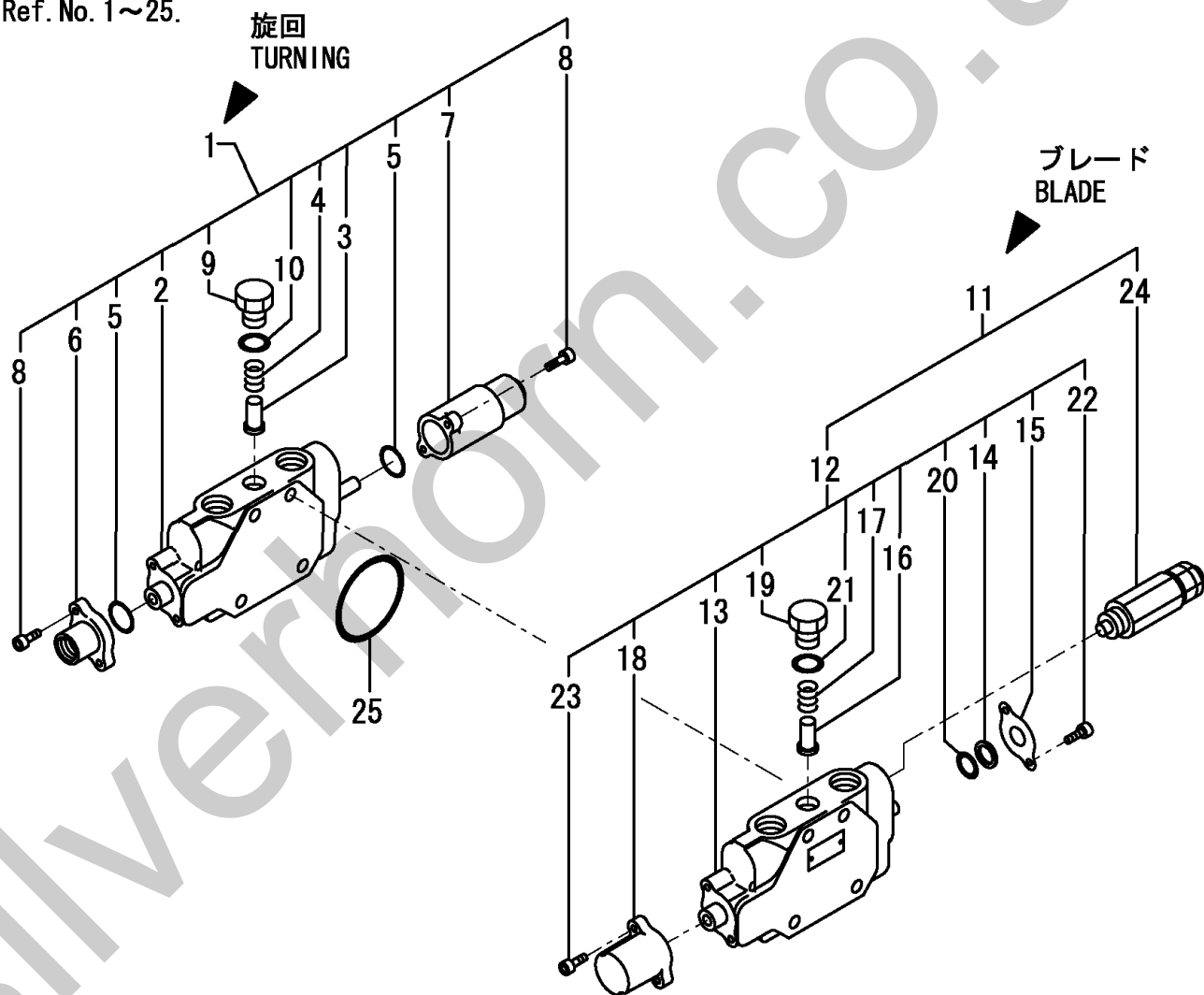
Fig. 75 Ref. No. 1~28.

Fig. 76 Ref. No. 1~25.

Fig. 77 Ref. No. 1~30.

Fig. 78 Ref. No. 1~34.

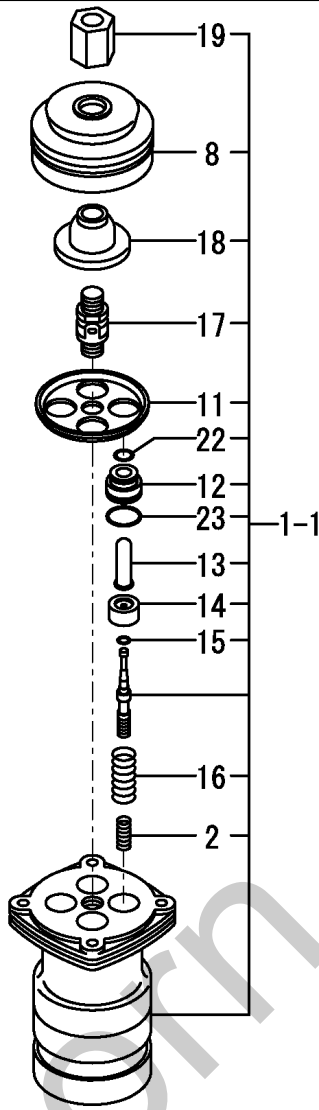
Fig. 79 Ref. No. 1~25.



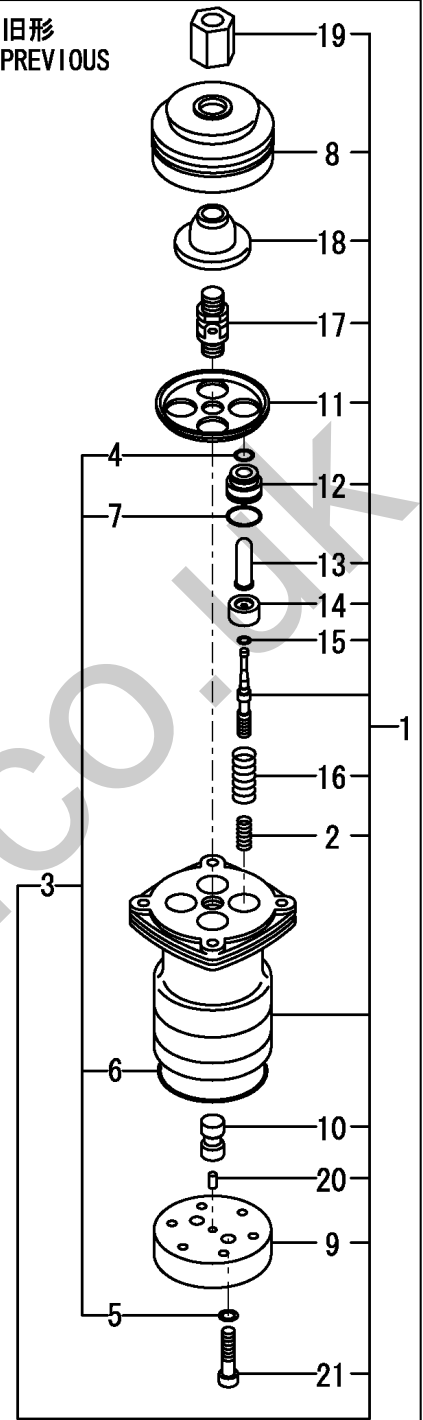
1,1,,172455-74700,,,"VALVE ASSY, REM-CON.",,2,,,,,,,,,,,,,,,,,,,,,  
1-1,1,,172455-74701,,,"VALVE ASSY,  
REMO.CON",1,2,,2,,,R,1,,,72455395,M/#21808,,,,,,,,,,,,,I  
2,2,,172455-74240,,,"SPRING,4,8,,8,,,,,,,,,,,,,,,,,,,,,I  
3,2,,172448-74710,,,"SEAL KIT SUB ASSY",,2,,,,,Z,,,,72455395,M/#21808,,,,,,,,,,,,,I  
4,3,,172448-74790,,,"SEAL",,8,,,,,Z,,,,72455395,M/#21808,,,,,,,,,,,,,I  
5,3,,172447-74820,,,"SEAL WASHER",,4,,,,,Z,,,,72455395,M/#21808,,,,,,,,,,,,,I  
6,3,,172448-74830,,,"ORING",,2,,,,,Z,,,,72455395,M/#21808,,,,,,,,,,,,,I  
7,3,,24315-000200,,,"O-RING 1B P-20.0",,8,,,,,Z,,,,72455395,M/#21808,,,,,,,,,,,,,I  
8,2,,172455-74710,,,"BELLOWS,1,2,,2,,,,,,,,,,,,,,,,,,,,,  
9,2,,172448-74740,,,"PLATE, RORT",,2,,,,,Z,,,,72455395,M/#21808,,,,,,,,,,,,,I  
10,2,,172448-74750,,,"BUSH",,2,,,,,Z,,,,72455395,M/#21808,,,,,,,,,,,,,I  
11,2,,172448-74760,,,"PLATE,1,2,,2,,,,,,,,,,,,,,,,,,,,,I  
12,2,,172448-74770,,,"PLUG,4,8,,8,,,,,,,,,,,,,,,,,,,,,I  
13,2,,172448-74780,,,"ROD Q,PUSH",,4,8,,8,,,,,,,,,,,,,,,,,,,,,I  
14,2,,172448-74910,,,"SEAT, SPRING",,4,8,,8,,,,,,,,,,,,,,,,,,,,,I  
15,2,,172448-74920,,,"WASHER,4,8,,8,,,,,,,,,,,,,,,,,,,,,I  
16,2,,172448-74930,,,"SPRING,4,8,,8,,,,,,,,,,,,,,,,,,,,,I  
17,2,,172448-74950,,,"JOINT ASSY",,1,2,,2,,,,,,,,,,,,,,,,,,,,,I  
18,2,,172448-74960,,,"PLATE, CIRCLE",,1,2,,2,,,,,,,,,,,,,,,,,,,,,I  
19,2,,172448-74970,,,"NUT, ADJUST",,1,2,,2,,,,,,,,,,,,,,,,,,,,,I  
20,2,,22351-050010,,,"SPRING PIN 5X10",,2,,,,,Z,,,,72455395,M/#21808,,,,,,,,,,,,,I  
21,2,,26450-080352,,,"BOLT M 8X 35",,4,,,,,Z,,,,72455395,M/#21808,,,,,,,,,,,,,I  
22,2,,172448-74790,,,"SEAL,4,8,,8,,W,,,,72455395,M/#21808,,,,,,,,,,,,,I  
23,2,,24315-000200,,,"O-RING 1B P-20.0",,4,8,,8,,W,,,,72455395,M/#21808,,,,,,,,,,,,,I



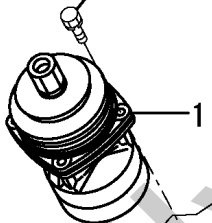
新形  
NEW



旧形  
PREVIOUS

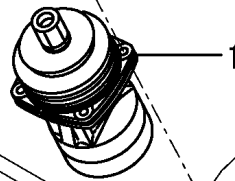


REFER TO Fig. 28



REFER TO Fig. 28

REFER TO Fig. 29

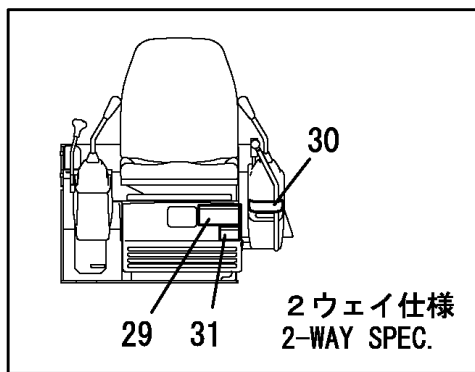
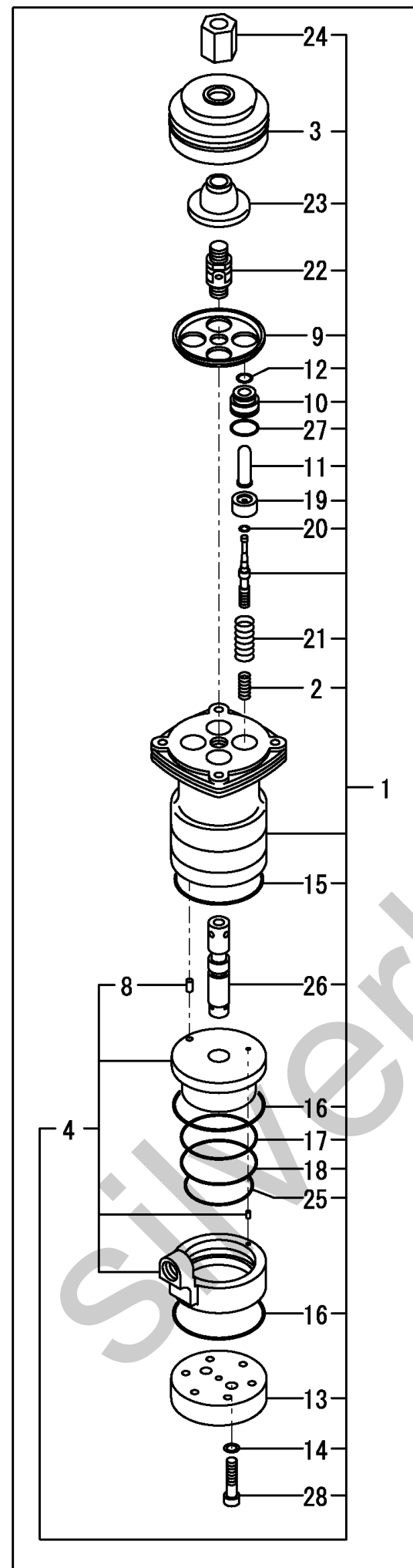


REFER TO Fig. 29

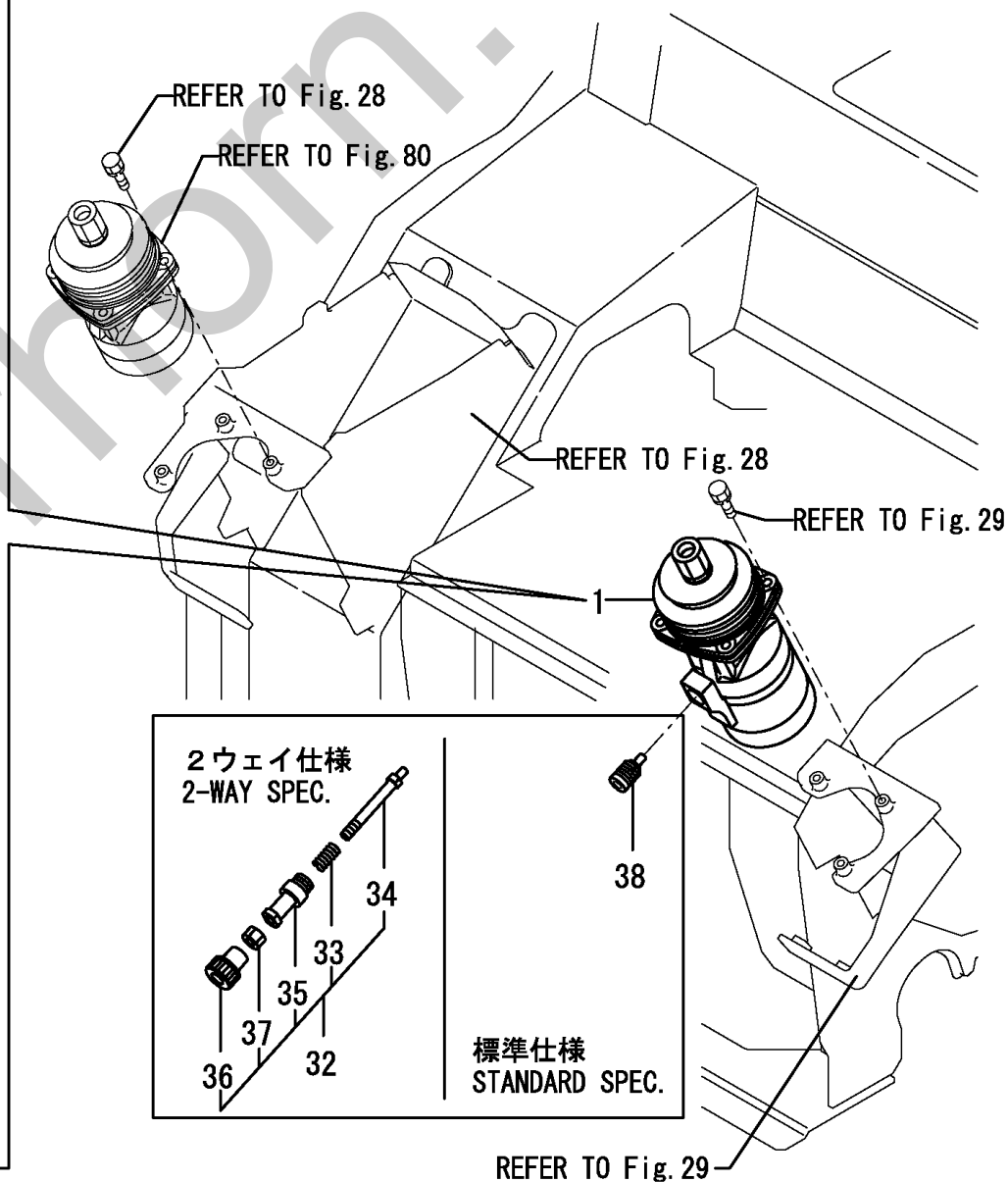
1,1,,172458-74500,, "REMO-CON.VALVE M2",1,1,,,,,,,,,,,,,,,,,,,,,I  
 2,2,,172455-74240,, SPRING,4,4,,,,,,,,,,,,,,,,,,,,,,,,,,,,,I  
 3,2,,172455-74710,, BELLOWS,1,1,,,,,,,,,,,,,,,,,,,,,,,,,,,,,I  
 4,2,,172448-74720,, "SPOOL SLEEVE SUB",1,1,,,,,,,,,,,,,,,,,,,,,I  
 8,3,,22351-050010,, "SPRING PIN 5X10",1,1,,,,,,,,,,,,,,,,,,,,,I  
 9,2,,172448-74760,, PLATE,1,1,,,,,,,,,,,,,,,,,,,,,,,,,,,,,I  
 10,2,,172448-74770,, PLUG,4,4,,,,,,,,,,,,,,,,,,,,,,,,,,,,,I  
 11,2,,172448-74780,, "ROD Q,PUSH",4,4,,,,,,,,,,,,,,,,,,,,,I  
 12,2,,172448-74790,, SEAL,4,4,,,,,,,,,,,,,,,,,,,,,,,,,,,,,I  
 13,2,,172448-74810,, "PLATE, PORT",1,1,,,,,,,,,,,,,,,,,,,,,I  
 14,2,,172448-74820,, PACKING,2,2,,,,,,,,,,,,,,,,,,,,,I  
 15,2,,172448-74830,, ORING,1,1,,,,,,,,,,,,,,,,,,,,,,,,,,,,,I  
 16,2,,172448-74860,, ORING,2,2,,,,,,,,,,,,,,,,,,,,,I  
 17,2,,172448-74870,, ORING,1,1,,,,,,,,,,,,,,,,,,,,,,,,,,,,,I  
 18,2,,172448-74880,, ORING,1,1,,,,,,,,,,,,,,,,,,,,,,,,,,,,,I  
 19,2,,172448-74910,, "SEAT, SPRING",4,4,,,,,,,,,,,,,,,,,,,,,I  
 20,2,,172448-74920,, WASHER,4,4,,,,,,,,,,,,,,,,,,,,,I  
 21,2,,172448-74930,, SPRING,4,4,,,,,,,,,,,,,,,,,,,,,I  
 22,2,,172448-74950,, "JOINT ASSY",1,1,,,,,,,,,,,,,,,,,,,,,I  
 23,2,,172448-74960,, "PLATE, CIRCLE",1,1,,,,,,,,,,,,,,,,,,,,,I  
 24,2,,172448-74970,, "NUT, ADJUST",1,1,,,,,,,,,,,,,,,,,,,,,I  
 25,2,,172448-74980,, ORING,1,1,,,,,,,,,,,,,,,,,,,,,,,,,,,,,I  
 26,2,,172448-74990,, DISTANZBUCHSE,1,1,,,,,,,,,,,,,,,,,,,,,I  
 27,2,,24315-000200,, "O-RING 1B P-20.0",4,4,,,,,,,,,,,,,,,,,,,,,I  
 28,2,,26450-080652,, "BOLT M 8X 65",2,2,,,,,,,,,,,,,,,,,,,,,I  
 29,1,,172458-03550,, LABEL,1,1,,,,,,,,,,,,,1,,,,,,,,,,,,,I  
 30,1,,172458-03560,, LABEL,1,1,,,,,,,,,,,,,1,,,,,,,,,,,,,I  
 31,1,,172458-03570,, LABEL,1,1,,,,,,,,,,,,,1,,,,,,,,,,,,,I  
 32,1,,172458-08540,, "LEVER ASS,2W",1,1,,,,,1,,,,,,,,,,,,,I  
 33,2,,1C6141-35370,, "SPRING,LOCK",1,1,,,,,,,,,,,,,,,,,,,,,I  
 34,2,,172458-74470,, SHAFT,1,1,,,,,,,,,,,,,,,,,,,,,I  
 35,2,,172458-74480,, SLEEVE,1,1,,,,,,,,,,,,,,,,,,,,,I  
 36,2,,172458-74490,, "LEVER KNOB BL",1,1,,,,,,,,,,,,,,,,,,,,,I  
 37,2,,26712-080002,, "NUT M 8",1,1,,,,,,,,,,,,,,,,,,,,,I  
 38,1,,172448-74730,, PLUG,1,1,,,,,2,,,,,,,,,,,,,I







172458-08530  
 2ウェイマルチバルブキットは、  
 項目NO. 111を参照下さい。  
 2-WAY MULTI VALVE KIT  
 is shown in Fig. 111.



REFER TO Fig. 29

1,1,,172151-74601,,VALVE,1,1,,,,,,,,,,,,,  
2,2,,182900-16530,,COVER,1,1,,,,,,,,,,,,,  
3,2,,182900-22300,,SPRING,1,1,,,,,,,,,,,,,  
4,2,,172151-74740,, "PLATE, MARK",1,1,,,,,,,,,,,,,  
5,2,,182900-77190,,BOLT,8,8,,,,,,,,,,,,,  
6,2,,182900-77200,,BOLT,8,8,,,,,,,,,,,,,  
7,2,,182900-77210,, "DUST SEAL",1,1,,,,,,,,,,,,,  
8,2,,182900-77220,,COVER,1,1,,,,,,,,,,,,,  
9,2,,182900-77230,, "WING BOLT",1,1,,,,,,,,,,,,,  
10,2,,182900-77240,,BOLT,2,2,,,,,,,,,,,,,  
11,2,,182900-77250,,LEVER,1,1,,,,,,,,,,,,,  
12,2,,24190-100001,, "BALL 5/16, STEEL",1,1,,,,,,,,,,,,,  
13,2,,24311-000280,, "O-RING 1A P-28.0",1,1,,,,,,,,,,,,,  
14,2,,24321-000600,, "O-RING 1A G-60.0",2,2,,,,,,,,,,,,,  
15,2,,953KM0-00220,,WASHER,2,2,,,,,,,,,,,,,  
16,2,,953KM0-00220,,WASHER,1,1,,,,,,,,,,,,,  
17,2,,953KM0-10894,, "PLUG PT1/8",1,1,,,,,,,,,,,,,  
18,1,,26013-100202,, "BOLT W/WASHER M10X20",3,3,,,,,,,,,,,,,  
19,1,,172444-03290,,MAGNET,1,1,,,,,,,,,,,,,  
20,1,,172151-03551,,LABEL,1,1,,,,,,,,,,,,,

Silverhorn.CO.UK



1,1,,772456-75090,, "RESERVER ASSY (96)",,1,,,,,,,,,,,,,  
 1-1,1,,772456-75091,, "RESERVER ASSY  
 (96)",,1,,,,,R,,,,,72456218,M/#21764,,,,,,I  
 1-2,1,,772456-75092-1,, "RESERVER ASSY  
 (96)",,1,1,1,,N,,,,,72456287,M/#22514,,,,,,I  
 2,2,,172175-73700,, "FILTER ASSY, RETURN",1,1,1,,,,,,,,,,,,,  
 3,3,,172175-73710,, ELEMENT,1,1,1,,,,,,,,,,,,,  
 4,3,,172141-73770,, "VALVE ASSY, BYPASS",1,1,1,,,,,,,,,,,,,  
 5,2,,172146-73730,, "FILTER, SUCTION",1,1,1,,,,,,,,,,,,,  
 6,2,,933152-02710,, "SPRING, SIDE CLUTCH",1,1,1,,,,,,,,,,,,,  
 7,2,,124766-59050,, "CLAMP 12",,1,,,,,Z,,,,,72456218,M/#21764,,,,,,I  
 9,3,,172455-65490,, "SEAL, RUBBER 1100",,1,,,,,W,,,,,72456039,M/#20501,,,,,,I  
 9-1,3,,172168-65750,, RUBBER,1,1,1,,R,,,,,72487019,M/#21697,,,,,,I  
 11,3,,172456-75390,, "SEAL,RADIATOR F",1,1,1,,W,,,,,72456218,M/#21764,,,,,,I  
 12,2,,172141-75430,, "COVER, INTAKE",,1,,,,,,,,,,,,,  
 12-1,2,,172141-  
 75440,, "COVER,INTAKE(WHITE40",,1,,,,,R,,,,,72456218,M/#21764,,,,,,I  
 12-2,2,,172460-75410,, "CAP,TANK",1,1,1,,R,,,,,72487019,M/#21697,,,,,,I  
 13,2,,172165-75450,, "PLATE  
 (YELLOW:87)",,1,,,,,Z,,,,,72456256,M/#21764,,,,,,I  
 14,2,,172165-75460,, GASKET,,1,,,,,Z,,,,,72456256,M/#21764,,,,,,I  
 15,2,,172165-75481,, ELEMENT,,1,,,,,Z,,,,,72456256,M/#21764,,,,,,I  
 16,2,,172447-75600,, GAUGE,1,1,1,,,,,,,,,,,,,  
 17,3,,172455-75290,, "BOLT M10",2,2,2,,,,,,,,,,,,,  
 18,3,,172455-75300,, O-RING,4,4,4,,,,,,,,,,,,,  
 21,2,,172116-75850,, "PLUG (YELLOW:87)",,1,,,,,,,,,,,,,  
 21-1,2,,172446-75250,, CAP,1,1,1,,S,,,,,72456256,M/#21764,,,,,,I  
 22,2,,24311-000380,, "O-RING 1A P-38.0",,1,,,,,Z,,,,,72456256,M/#21764,,,,,,I  
 23,2,,24321-001050,, "O-RING 1A G-105.0",2,2,2,,,,,,,,,,,,,  
 24,2,,24341-000300,, "O-RING 1A S-30.0",1,1,1,,,,,,,,,,,,,  
 25,2,,26013-080162,, "BOLT W/WASHER M8X16",4,4,4,,,,,,,,,,,,,  
 26,2,,26013-080202,, "BOLT W/WASHER M8X20",3,3,3,,,,,,,,,,,,,  
 27,2,,26022-050102,, "SCREW M 5X 10",,3,,,,,Z,,,,,72456256,M/#21764,,,,,,I  
 28,2,,172455-75320,, HOSE,,1,,,,,Z,,,,,72456218,M/#21764,,,,,,I  
 29,2,,172455-75330,, "DRAIN PLIG 24",1,1,1,,,,,,,,,,,,,  
 30,2,,172183-75410,, "FLANGE,SUCTION (ZN)",1,1,1,,,,,,,,,,,,,  
 31,1,,22217-140000,, "SPRING WASHER 14",4,4,4,,,,,,,,,,,,,  
 32,1,,26116-140352,, "BOLT M14X 35 PLATED",4,4,4,,,,,,,,,,,,,  
 33,1,,22137-140000,, "WASHER 14,POLISHED",4,4,4,,,,,,,,,,,,,

旧形  
PREVIOUS

- 21
- 22

見出しNO. 1は、  
見出しNO. 1~30を含みます。  
1 INC. 1~30.

- 26
- 12
- 23
- 6
- 4
- 2
- 3

- 17
- 18
- 16
- 18

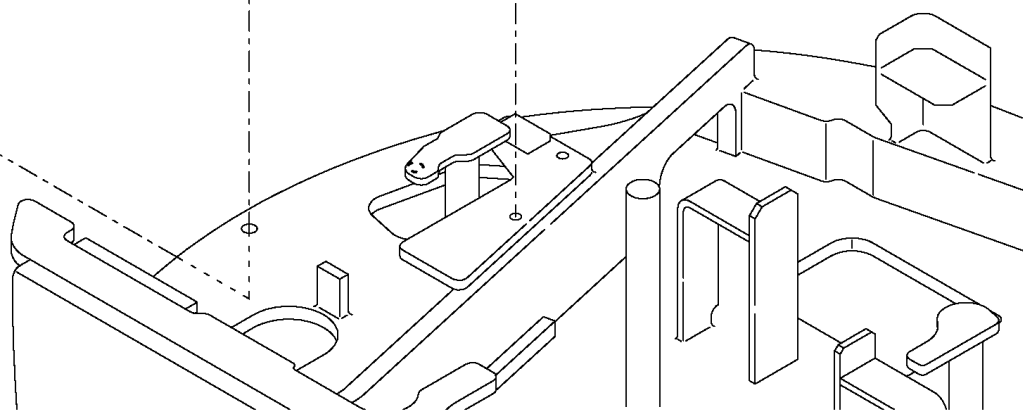
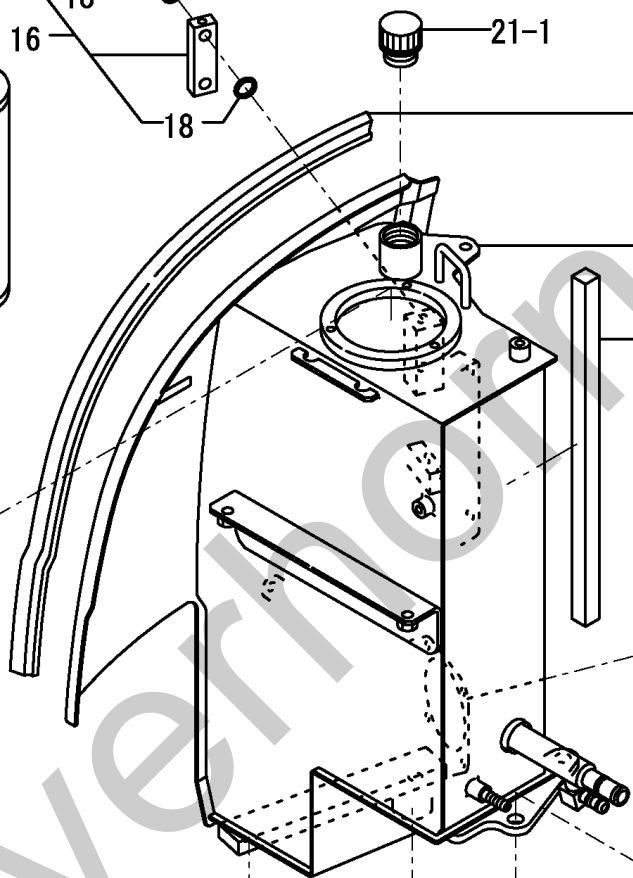
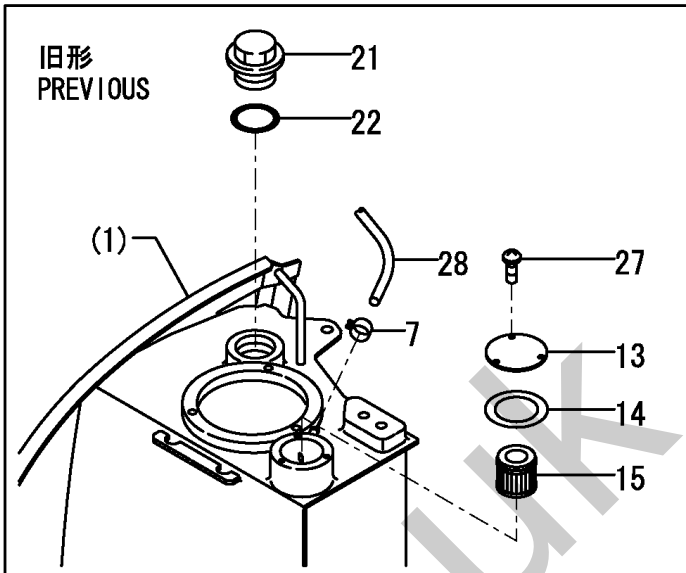
- 21-1

- 9
- (1)
- 11

- 5
- 23
- 30
- 25
- 32
- 31
- 33

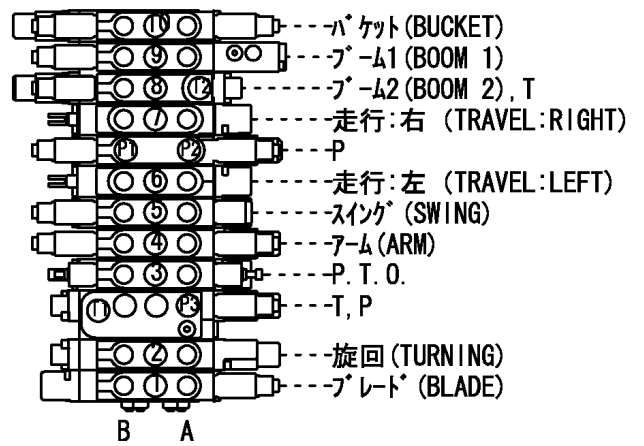
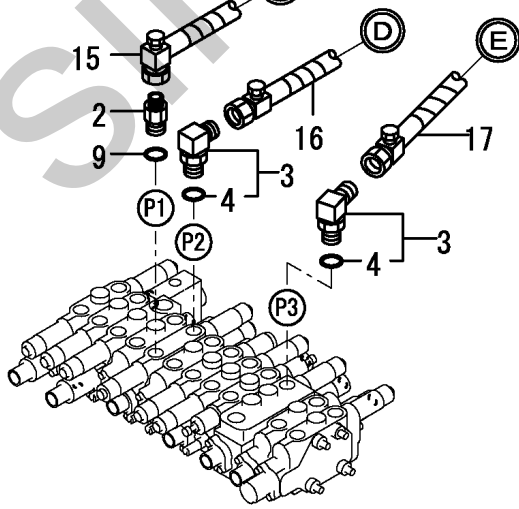
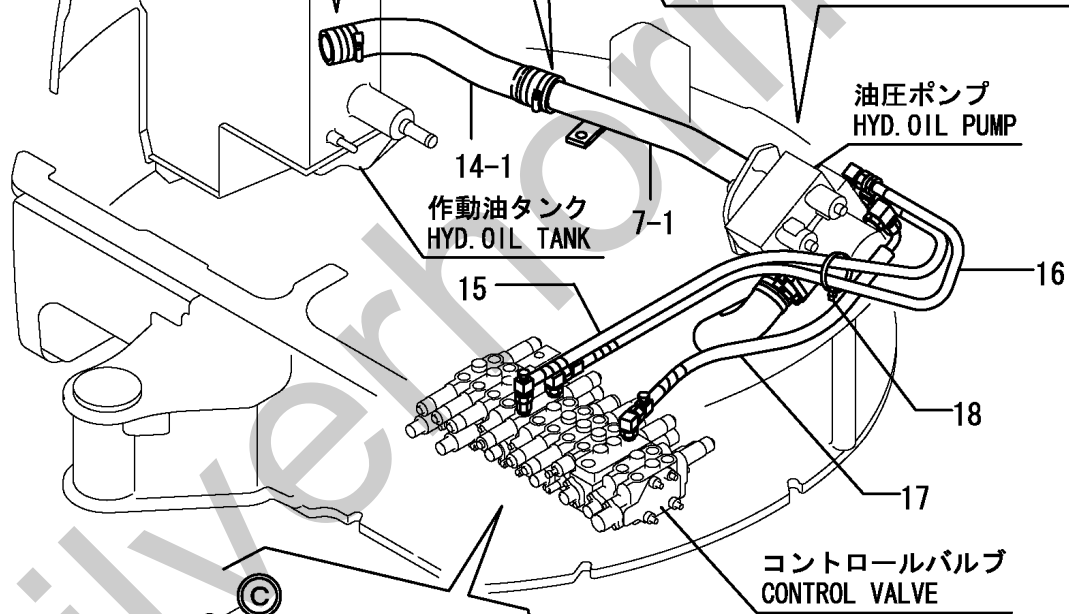
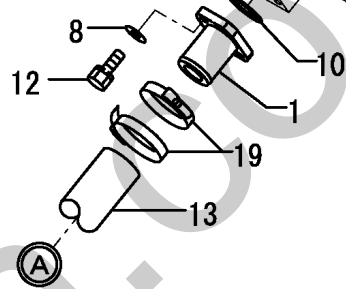
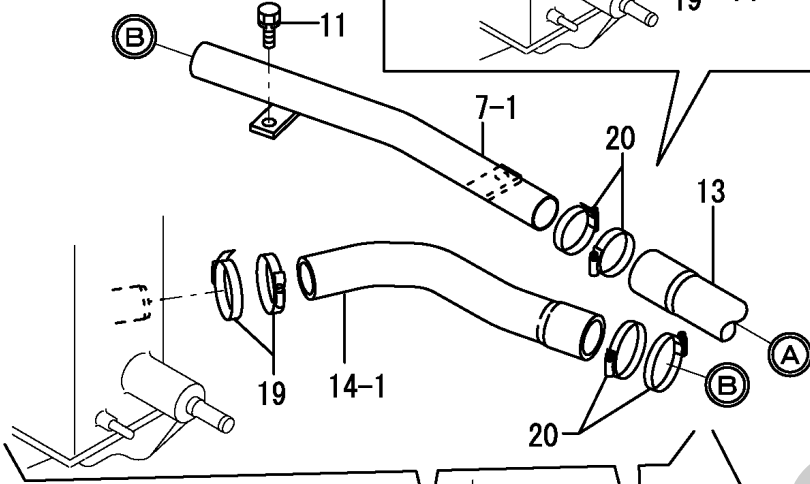
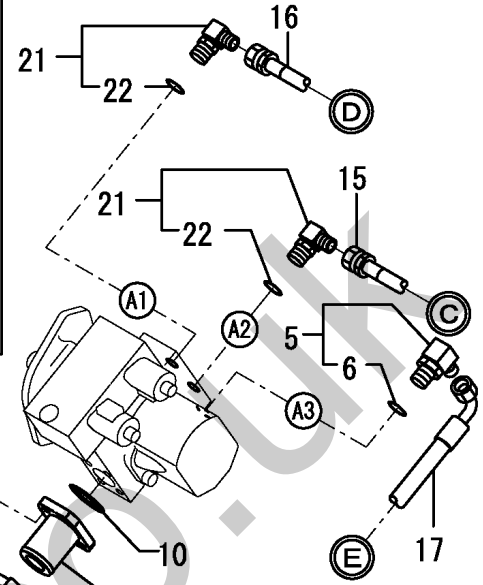
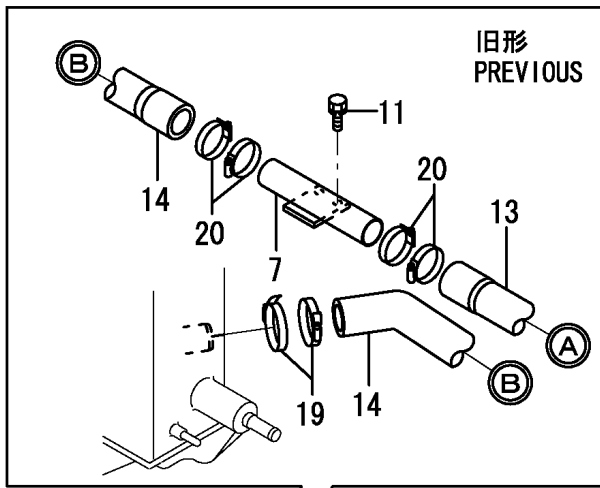
- 24
- 29

- 33
- 31
- 32



1,1,,172422-76100,,FLANGE,1,1,,1,,,,,,,,,,,,,  
2,1,,172730-75141,,JOINT,1,1,,1,,,,,,,,,,,,,  
3,1,,172142-76181,, "JOINT 90-3/8 ASSY",2,2,,2,,,,,,,,,,,,,  
4,2,,24315-000140,, "O-RING 1B P-14.0",2,2,,2,,,,,,,,,,,,,  
5,1,,172157-76300,, "ELBOW 3/8-1/2",1,1,,1,,,,,,,,,,,,,  
6,2,,24315-000180,, "O-RING 1B P-18.0",1,1,,1,,,,,,,,,,,,,  
7,1,,172444-76400,,TUBE,1,,,,,,,,,,,,,  
7-1,1,,172487-76410,, "TUBE, SUCTION",1,1,,1,,S,,,72456225,M/#21694,,,,,,,,,I  
8,1,,22117-100000,, "WASHER 10",4,4,,4,,,,,,,,,,,,,  
9,1,,24315-000140,, "O-RING 1B P-14.0",1,1,,1,,,,,,,,,,,,,  
10,1,,24321-000400,, "O-RING 1A G-40.0",1,1,,1,,,,,,,,,,,,,  
11,1,,26013-100202,, "BOLT W/WASHER M10X20",2,2,,2,,,,,,,,,,,,,  
12,1,,26013-100252,, "BOLT W/WASHER M10X25",4,4,,4,,,,,,,,,,,,,  
13,1,,172458-78091,, "HOSE 39.5 X 52.5",1,1,,1,,,,,,,,,,,,,  
14,1,,172456-78100,, "HOSE 38.1X50.2",,1,,,,,,,,,,,,,  
14-1,1,,172456-78101,, "HOSE 38.1X50.2",1,1,,1,,S,,,72456225,M/#21694,,,,,,,,,I  
15,1,,172456-78111,, "HOSE H206BZ080S",1,1,,1,,,,,,,,,,,,,  
16,1,,172456-78120,, "HOSE H206BZ071S",1,1,,1,,,,,,,,,,,,,  
17,1,,172456-78130,, "HOSE H206CZ061S",1,1,,1,,,,,,,,,,,,,  
18,1,,172122-79930,, "CLAMP B",1,1,,1,,,,,,,,,,,,,  
19,1,,23001-060000,, "CLIP,HOLELESS HOSE",4,4,,4,,,,,,,,,,,,,  
20,1,,23001-070000,,CLIP,4,4,,4,,,,,,,,,,,,,  
21,1,,172142-76181,, "JOINT 90-3/8 ASSY",2,2,,2,,,,,,,,,,,,,  
22,2,,24315-000140,, "O-RING 1B P-14.0",2,2,,2,,,,,,,,,,,,,

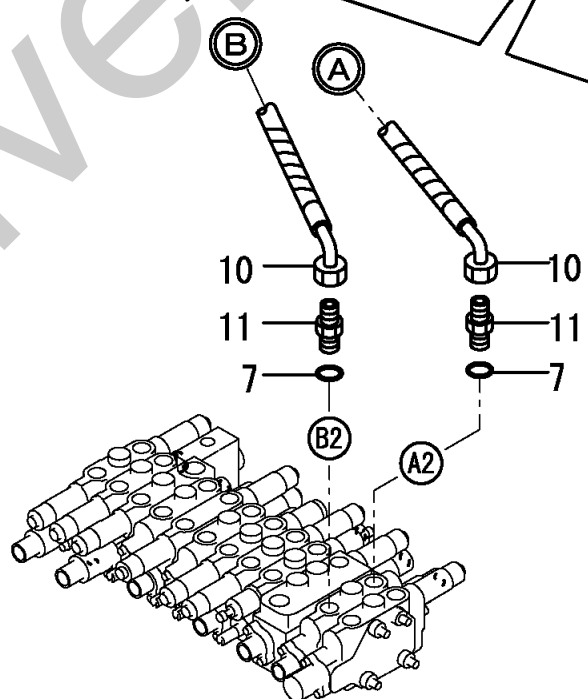
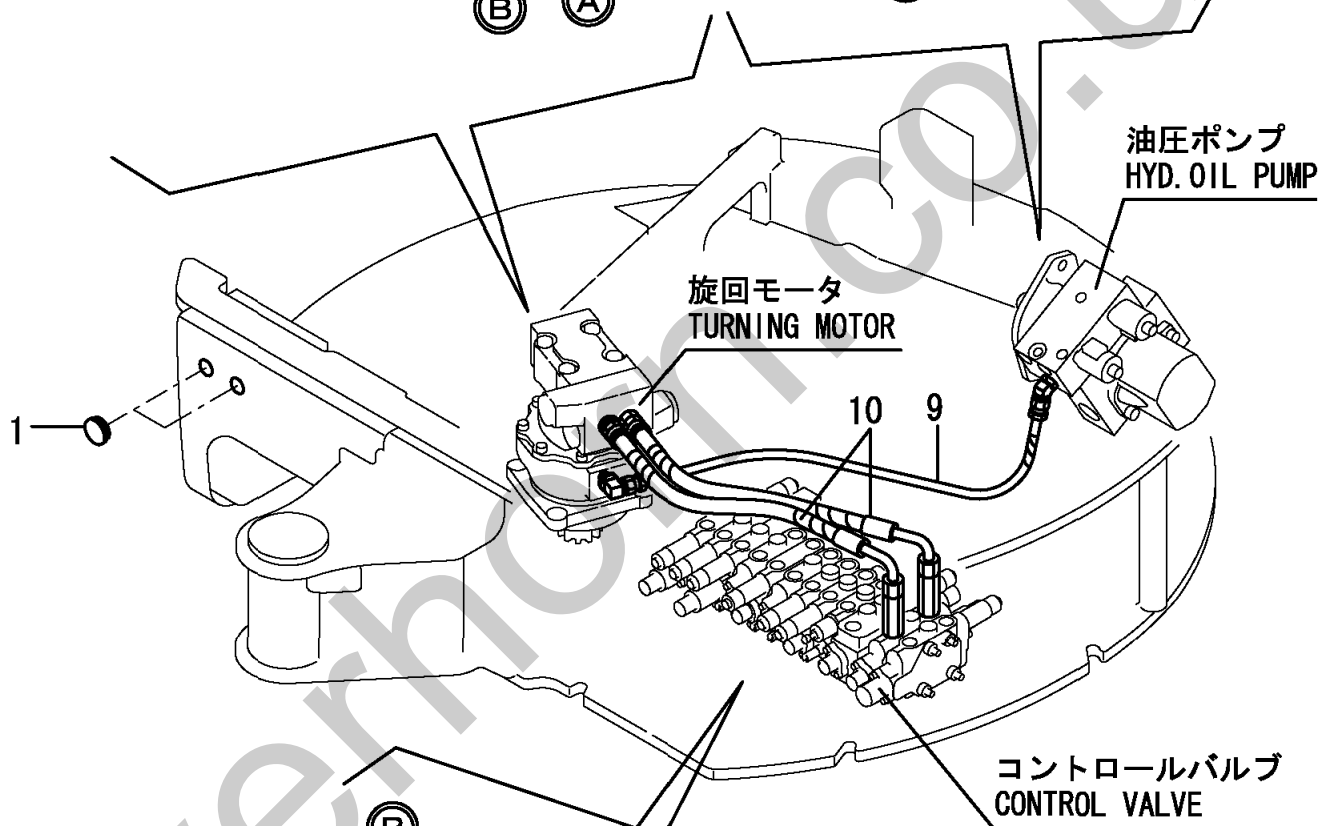
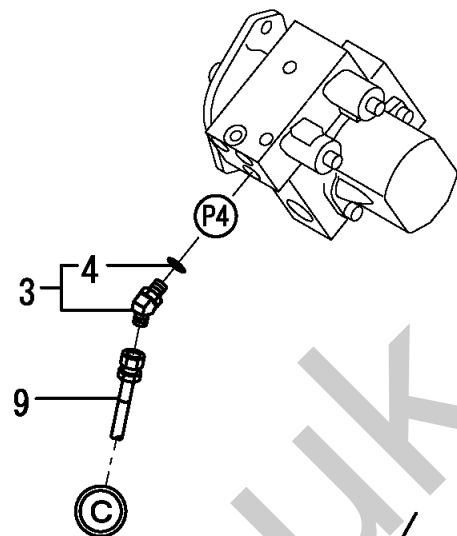
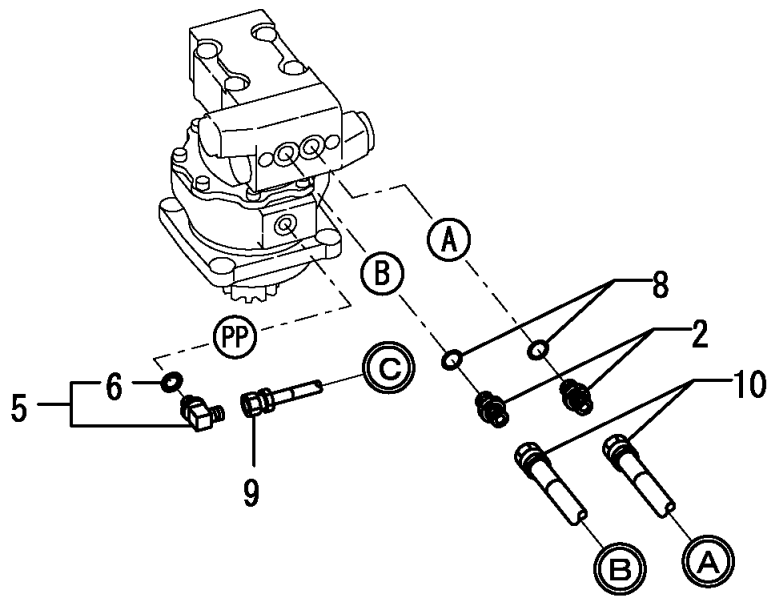




1,1,,172312-17260,, "GROMMET 22X2.3",2,2,,2,,,,,,,,,,,,,  
2,1,,172730-75141,, JOINT,2,2,,2,,,,,,,,,,,,,  
3,1,,172173-76101,, "CONNECTOR PF1/4-45",1,1,,1,,,,,,,,,,,,,  
4,2,,24315-000110,, "O-RING 1B P-11.0",1,1,,1,,,,,,,,,,,,,  
5,1,,172141-76180,, CONNECTOR,1,1,,1,,,,,,,,,,,,,  
6,2,,24315-000110,, "O-RING 1B P-11.0",1,1,,1,,,,,,,,,,,,,  
7,1,,24315-000140,, "O-RING 1B P-14.0",2,2,,2,,,,,,,,,,,,,  
8,1,,24315-000140,, "O-RING 1B P-14.0",2,2,,2,,,,,,,,,,,,,  
9,1,,172456-78140,, "HOSE F403BB070S",1,1,,1,,,,,,,,,,,,,  
10,1,,172422-78210,, "HOSE P206BC050S",2,2,,2,,,,,,,,,,,,,  
11,1,,172162-76131,, ADAPTER,2,2,,2,,,,,,,,,,,,,

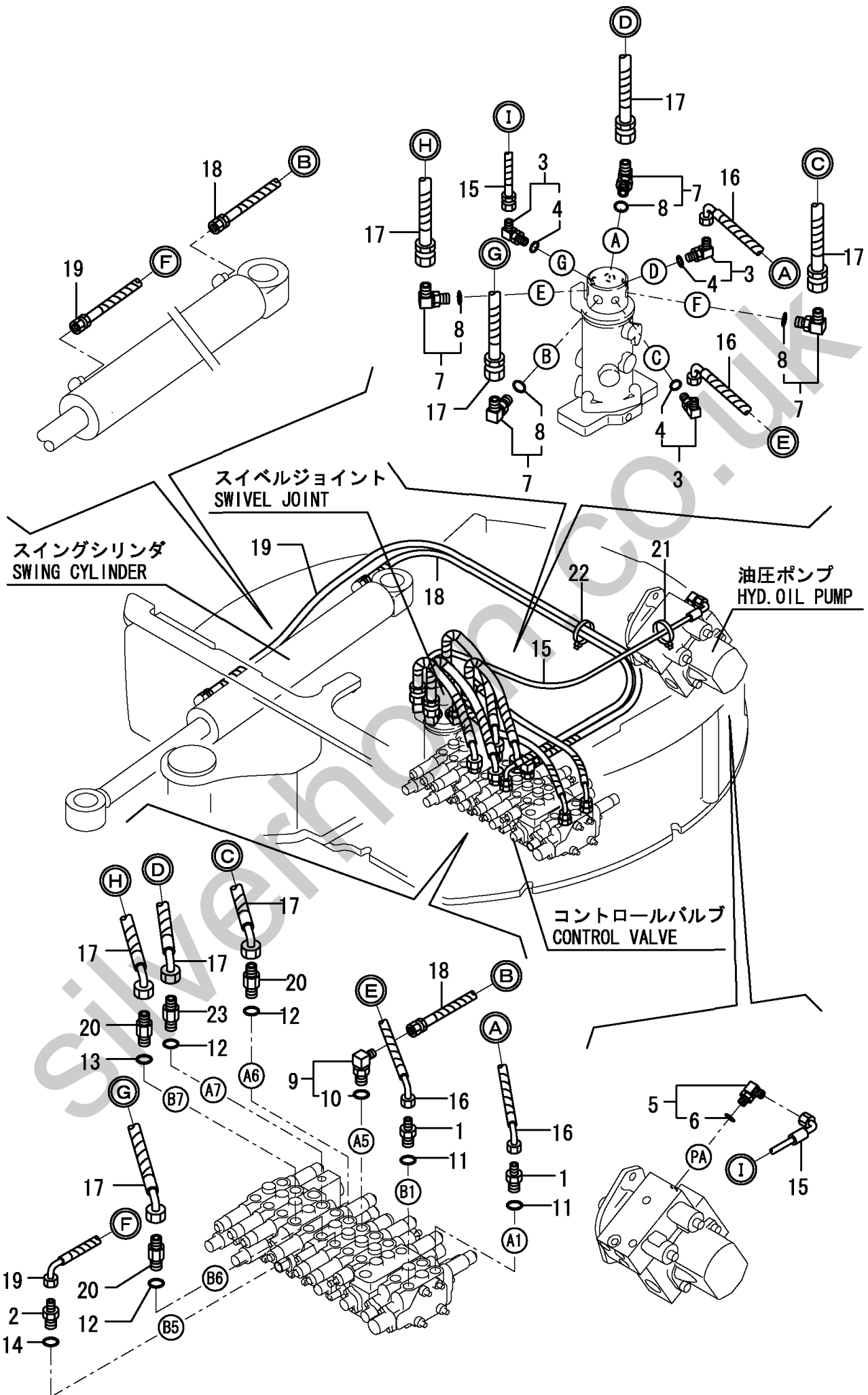
Silverhorn.CO.UK



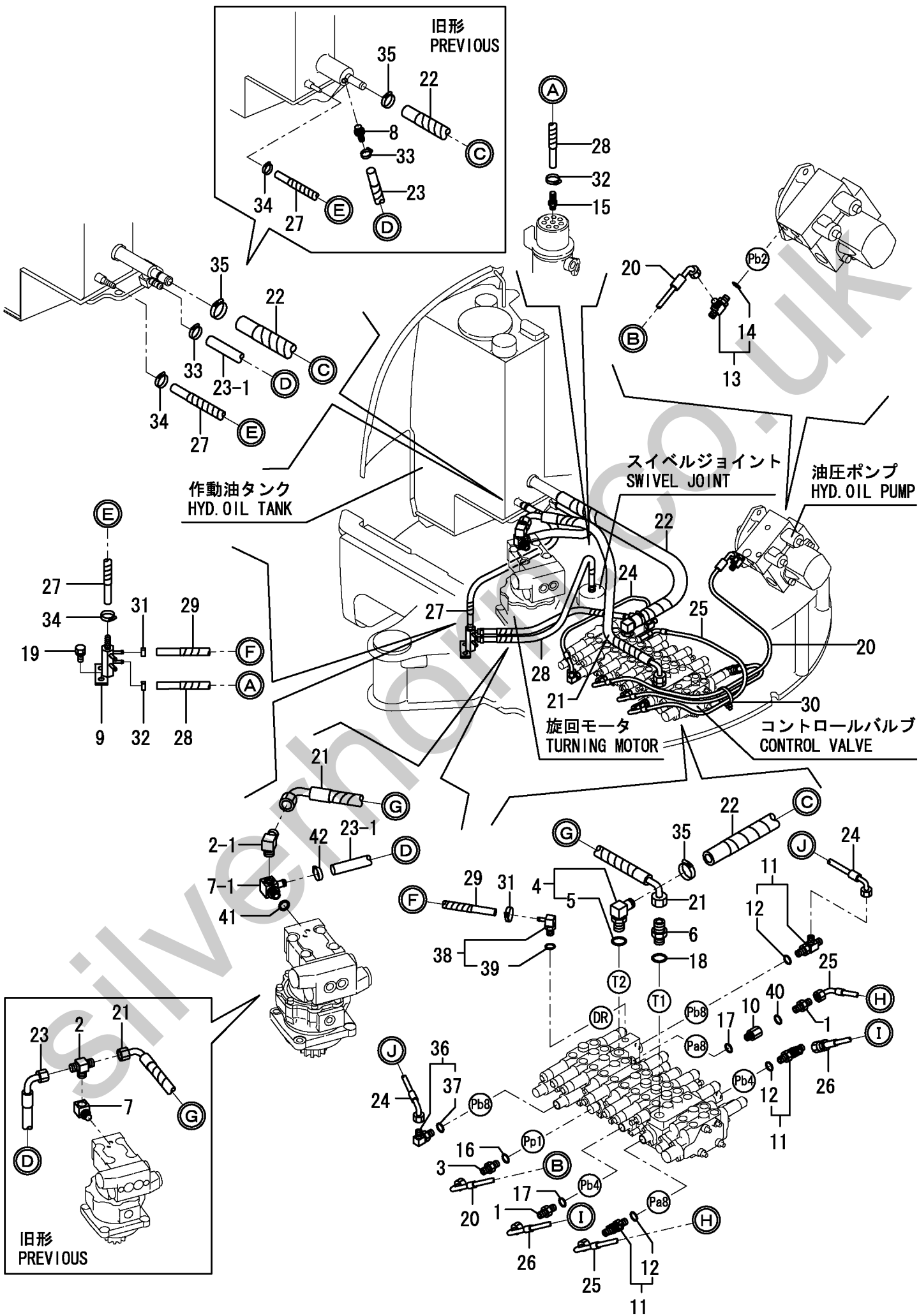


1,1,,172422-76130,,CONNECTOR,2,2,,2,,,,,,,,,,,,,,,,,,,,,  
 2,1,,172147-76260,,CONNECTOR,1,1,,1,,,,,,,,,,,,,,,,,,,,,  
 3,1,,172141-76180,,CONNECTOR,3,3,,3,,,,,,,,,,,,,,,,,,,,,  
 4,2,,24315-000110,,,"O-RING 1B P-11.0",3,3,,3,,,,,,,,,,,,,,,,,,,,,  
 5,1,,172141-76180,,CONNECTOR,1,1,,1,,,,,,,,,,,,,,,,,,,,,  
 6,2,,24315-000110,,,"O-RING 1B P-11.0",1,1,,1,,,,,,,,,,,,,,,,,,,,,  
 7,1,,172142-76181,,,"JOINT 90-3/8 ASSY",4,4,,4,,,,,,,,,,,,,,,,,,,,,  
 8,2,,24315-000140,,,"O-RING 1B P-14.0",4,4,,4,,,,,,,,,,,,,,,,,,,,,  
 9,1,,172141-76920,,,"CONNECTOR 3/8-1/4L",1,1,,1,,,,,,,,,,,,,,,,,,,,,  
 10,2,,24315-000140,,,"O-RING 1B P-14.0",1,1,,1,,,,,,,,,,,,,,,,,,,,,  
 11,1,,24315-000140,,,"O-RING 1B P-14.0",2,2,,2,,,,,,,,,,,,,,,,,,,,,  
 12,1,,24315-000140,,,"O-RING 1B P-14.0",3,3,,3,,,,,,,,,,,,,,,,,,,,,  
 13,1,,24315-000140,,,"O-RING 1B P-14.0",1,1,,1,,,,,,,,,,,,,,,,,,,,,  
 14,1,,24315-000140,,,"O-RING 1B P-14.0",1,1,,1,,,,,,,,,,,,,,,,,,,,,  
 15,1,,172456-78150,,,"HOSE F403BC090S",1,1,,1,,,,,,,,,,,,,,,,,,,,,  
 16,1,,172456-78170,,,"HOSE P204BC067S",2,2,,2,,,,,,,,,,,,,,,,,,,,,  
 17,1,,172422-78200,,,"HOSE P206BC048S",4,4,,4,,,,,,,,,,,,,,,,,,,,,  
 18,1,,172456-78200,,,"HOSE F204BC155",1,1,,1,,,,,,,,,,,,,,,,,,,,,  
 19,1,,172456-78210,,,"HOSE F204BC215S",1,1,,1,,,,,,,,,,,,,,,,,,,,,  
 20,1,,172116-76381,,,"ADAPTER 64",,4,,,,,,,,,,,,,,,,,,,,,  
 20-1,1,1,172116-76381,,,"ADAPTER 64",3,3,,3,,K,,,,,72487077,M/#21858,,,,,,,,,,,,,I  
 21,1,,172122-79930,,,"CLAMP B",1,1,,1,,,,,,,,,,,,,,,,,,,,,  
 22,1,,172126-11510,,,"BAND 300",1,1,,1,,,,,,,,,,,,,,,,,,,,,  
 23,1,,172116-76381,,,"ADAPTER 64",,1,,,,,,,,,,,,,,,,,,,,,I  
 23-1,1,1,172162-76131,,ADAPTER,1,1,,1,,N,,,,,72487077,M/#21858,,,,,,,,,,,,,I



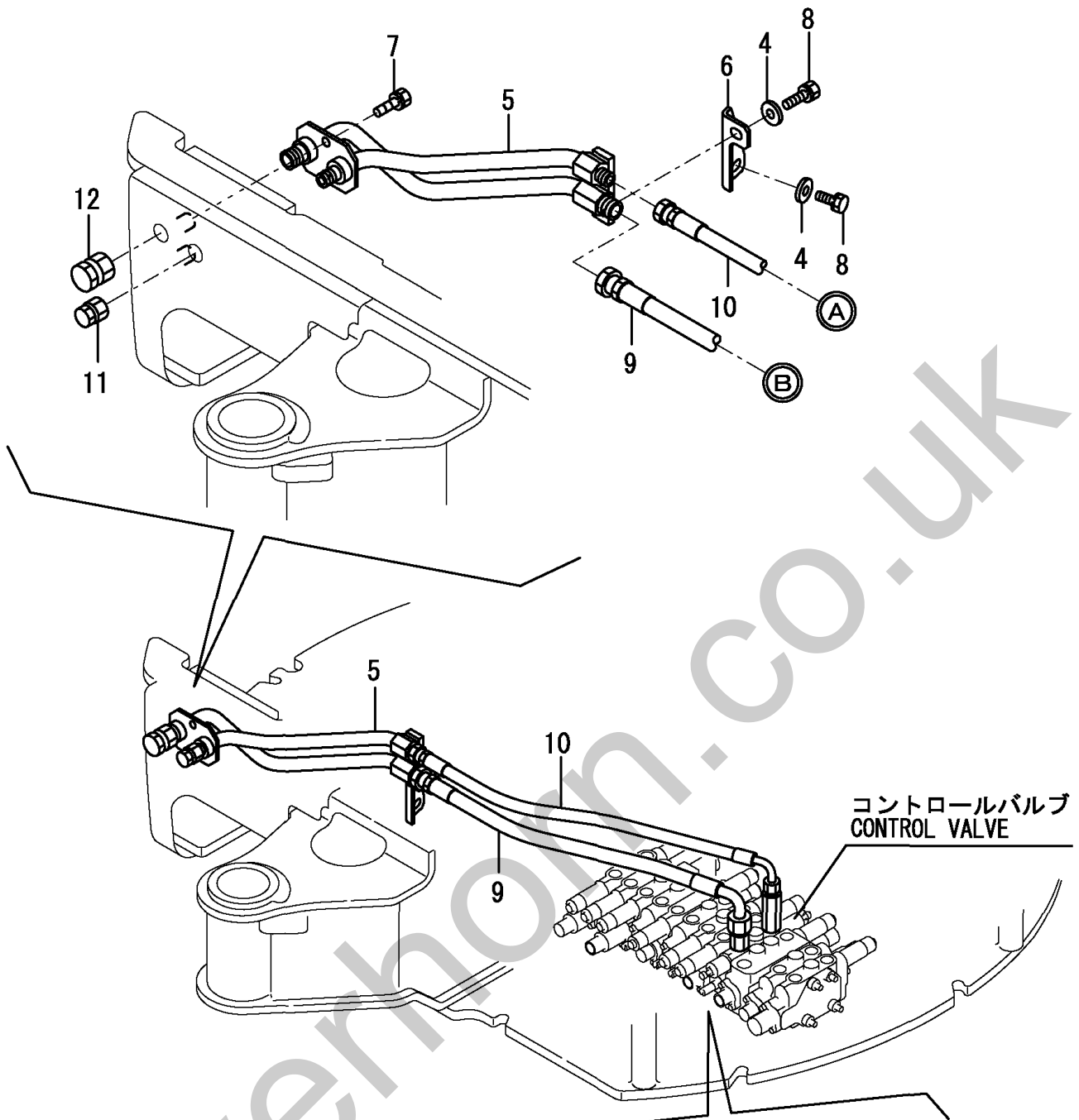


1,1,,172164-76330,, "JOINT PF1/4-0.7",2,2,,2,,,,,,,,,,,,,,,,,,,,,  
2,1,,172456-76100,, "CONNECTOR PT1/2PF1/2",,1,,,,,,,,,,,,,,,,,,,,,  
2-1,1,,23393-040000,, "JOINT 90RGI 1/2",1,1,,1,,S,,,,,72456287,M/#22514,,,,,,,,,I  
3,1,,172123-76121,, "JOINT PF1/4",1,1,,1,,,,,,,,,,,,,,,,,,,,,  
4,1,,172164-76131,, ELBOW,1,1,,1,,,,,,,,,,,,,,,,,,,,,  
5,2,,24315-000180,, "O-RING 1B P-18.0",1,1,,1,,,,,,,,,,,,,,,,,,,,,  
6,1,,172458-76130,, "CONNECTOR PF1/2-1/2",1,1,,1,,,,,,,,,,,,,,,,,,,,,  
7,1,,172519-76130,, "CONNECTOR 3/8-56",,1,,,,,,,,,,,,,,,,,,,,,  
7-1,1,,172487-76200,, ELBOW,1,1,,1,,S,,,,,72456287,M/#22514,,,,,,,,,I  
8,1,,172131-76150,, "NIPPLE 3/8 1/2",,1,,,,,Z,,,,,72456238,M/#21764,,,,,,,,,I  
9,1,,172444-76150,, JOINT,1,1,,1,,,,,,,,,,,,,,,,,,,,,  
10,1,,172422-76140,, CONNECTOR,1,1,,1,,,,,,,,,,,,,,,,,,,,,  
11,1,,172162-76180,, "JOINT 3-1/4 COMPL.",3,3,,3,,,,,,,,,,,,,,,,,,,,,  
12,2,,24315-000110,, "O-RING 1B P-11.0",3,3,,3,,,,,,,,,,,,,,,,,,,,,  
13,1,,172162-76180,, "JOINT 3-1/4 COMPL.",1,1,,1,,,,,,,,,,,,,,,,,,,,,  
14,2,,24315-000110,, "O-RING 1B P-11.0",1,1,,1,,,,,,,,,,,,,,,,,,,,,  
15,1,,172141-76220,, NIPPLE,1,1,,1,,,,,,,,,,,,,,,,,,,,,  
16,1,,24315-000110,, "O-RING 1B P-11.0",1,1,,1,,,,,,,,,,,,,,,,,,,,,  
17,1,,24315-000110,, "O-RING 1B P-11.0",2,2,,2,,,,,,,,,,,,,,,,,,,,,  
18,1,,24315-000180,, "O-RING 1B P-18.0",1,1,,1,,,,,,,,,,,,,,,,,,,,,  
19,1,,26013-100202,, "BOLT W/WASHER M10X20",2,2,,2,,,,,,,,,,,,,,,,,,,,,  
20,1,,172456-78160,, "HOSE F403CC806",1,1,,1,,,,,,,,,,,,,,,,,,,,,  
21,1,,172456-78260,, "HOSE G608CC067S",1,1,,1,,,,,,,,,,,,,,,,,,,,,  
22,1,,172456-78270,, "HOSE G612YY055S",1,1,,1,,,,,,,,,,,,,,,,,,,,,  
23,1,,172456-78280,, "HOSE G608CY057S",,1,,,,,,,,,,,,,,,,,,,,,  
23-1,1,,172487-78260,, "HOSE G806YY026",1,1,,1,,S,,,,,72456287,M/#22514,,,,,,,,,I  
24,1,,172458-78290,, "HOSE F403CC042",1,1,,1,,,,,,,,,,,,,,,,,,,,,  
25,1,,172458-78300,, "HOSE F403CC074",1,1,,1,,,,,,,,,,,,,,,,,,,,,  
26,1,,172458-78310,, "HOSE F403BC053",1,1,,1,,,,,,,,,,,,,,,,,,,,,  
27,1,,172165-78412,, "HOSE G806YY077S",1,1,,1,,,,,,,,,,,,,,,,,,,,,  
28,1,,172458-78530,, "HOSE G604YY054S",1,1,,1,,,,,,,,,,,,,,,,,,,,,  
29,1,,172458-78540,, "HOSE G604YY047S",1,1,,1,,,,,,,,,,,,,,,,,,,,,  
30,1,,172122-79930,, "CLAMP B",1,1,,1,,,,,,,,,,,,,,,,,,,,,  
31,1,,23000-013000,, "CLAMP 13",2,2,,2,,,,,,,,,,,,,,,,,,,,,  
32,1,,23000-013000,, "CLAMP 13",2,2,,2,,,,,,,,,,,,,,,,,,,,,  
33,1,,23001-016000,, "HOSE CLAMP 16",1,1,,1,,,,,,,,,,,,,,,,,,,,,  
34,1,,23001-016000,, "HOSE CLAMP 16",2,2,,2,,,,,,,,,,,,,,,,,,,,,  
35,1,,23001-035000,, "HOSE CLAMP 35",2,2,,2,,,,,,,,,,,,,,,,,,,,,  
36,1,,172141-76180,, CONNECTOR,1,1,,1,,,,,,,,,,,,,,,,,,,,,  
37,2,,24315-000110,, "O-RING 1B P-11.0",1,1,,1,,,,,,,,,,,,,,,,,,,,,  
38,1,,172458-76150,, "NIPPLE PF1/4,ELBOW",1,1,,1,,,,,,,,,,,,,,,,,,,,,  
39,2,,24315-000110,, "O-RING 1B P-11.0",1,1,,1,,,,,,,,,,,,,,,,,,,,,  
40,1,,24315-000110,, "O-RING 1B P-11.0",1,1,,1,,,,,,,,,,,,,,,,,,,,,  
41,1,,24315-000140,, "O-RING 1B P-14.0",1,1,,1,,W,,,,,72456287,M/#22514,,,,,,,,,I  
42,1,,23001-016000,, "HOSE CLAMP 16",1,1,,1,,W,,,,,72456287,M/#22514,,,,,,,,,I



1,1,,172162-76130,, "ADAPTER,DOUBLE MALE",1,1,,1,,,,,,,,,,,,,  
2,1,,172422-76180,,CONNECTOR,1,1,,1,,,,,,,,,,,,,  
3,1,,24315-000140,, "O-RING 1B P-14.0",2,2,,2,,,,,,,,,,,,,  
4,1,,172110-36010,,COLLAR,2,2,,2,,,,,,,,,,,,,  
5,1,,172456-76800,, "TUBE,F-END(GREEN:97)",1,1,,1,,,,,,,,,,,,,  
6,1,,172456-76880,, "PLATE (GREEN:97)",1,1,,1,,,,,,,,,,,,,  
7,1,,26013-100202,, "BOLT W/WASHER M10X20",2,2,,2,,,,,,,,,,,,,  
8,1,,26013-100252,, "BOLT W/WASHER M10X25",2,2,,2,,,,,,,,,,,,,  
9,1,,172456-78960,, "HOSE H208BC056",1,1,,1,,,,,,,,,,,,,  
10,1,,172456-78970,, "HOSE H206BC058",1,1,,1,,,,,,,,,,,,,  
11,1,,1A6380-48870,, "CAP, G3/8",,,1,,1,,,,,,,,,,,,,I  
12,1,,172137-75570,, "ADAPTER PF1/2",,,1,,1,,,,,,,,,,,,,I

Silverhorn.CO.UK



172456-08700

P.T.O.キットは、  
項目NO. 112を参照下さい。

P. T. O. KIT  
is shown in Fig. 112.

172456-08710

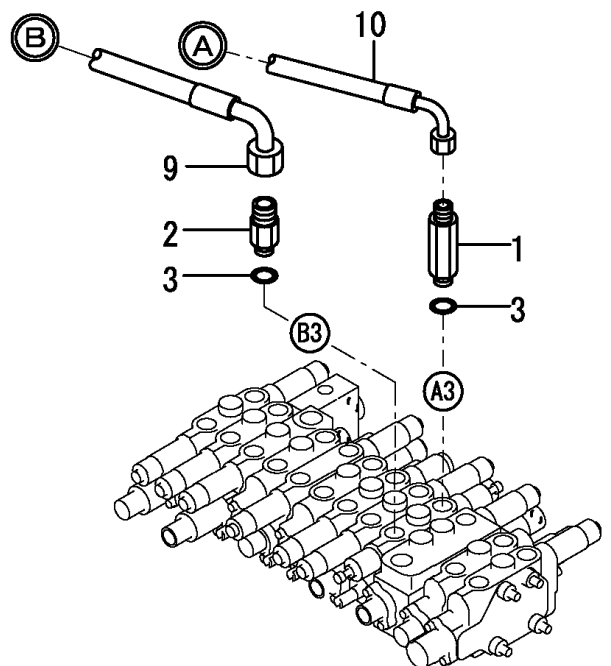
P.T.O.キット(ロングアーム仕様)は、  
項目NO. 113を参照下さい。

P. T. O. KIT (LONG ARM SPEC.)  
is shown in Fig. 113.

172456-08720

P.T.O.キット(フレームエンド)は、  
項目NO. 114を参照下さい。

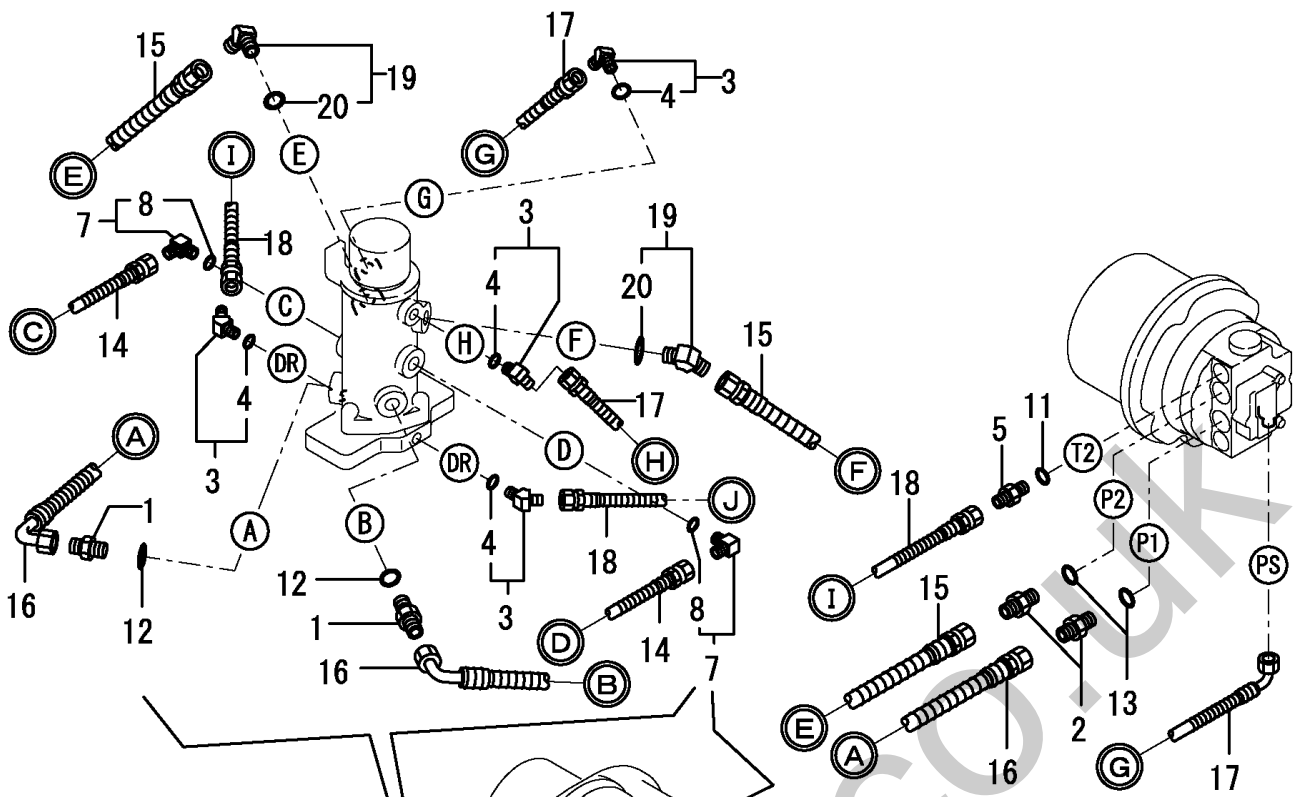
P. T. O. KIT (FRAME END)  
is shown in Fig. 114.



1,1,,172730-75141,,JOINT,2,2,,2,,,,,,,,,,,,,  
2,1,,172730-75141,,JOINT,4,4,,4,,,,,,,,,,,,,  
3,1,,172173-76101,,,"CONNECTOR PF1/4-45",4,4,,4,,,,,,,,,,,,,  
4,2,,24315-000110,,,"O-RING 1B P-11.0",4,4,,4,,,,,,,,,,,,,  
5,1,,172123-76121,,,"JOINT PF1/4",2,2,,2,,,,,,,,,,,,,  
6,1,,172421-76100,,CONNECTOR,1,1,,1,,,,,,,,,,,,,  
7,1,,172141-76180,,CONNECTOR,2,2,,2,,,,,,,,,,,,,  
8,2,,24315-000110,,,"O-RING 1B P-11.0",2,2,,2,,,,,,,,,,,,,  
9,1,,172422-78760,,GROMMET,2,2,,2,,,,,,,,,,,,,  
10,1,,23393-020000,,,"JOINT 90RGI1/4",1,1,,1,,,,,,,,,,,,,  
11,1,,24315-000110,,,"O-RING 1B P-11.0",2,2,,2,,,,,,,,,,,,,  
12,1,,24315-000140,,,"O-RING 1B P-14.0",2,2,,2,,,,,,,,,,,,,  
13,1,,24315-000140,,,"O-RING 1B P-14.0",4,4,,4,,,,,,,,,,,,,  
14,1,,172421-78120,,,"HOSE F204BB059W",2,2,,2,,,,,,,,,,,,,  
15,1,,172421-78130,,,"HOSE F206BB073W",2,2,,2,,,,,,,,,,,,,  
15-1,1,,172421-78131,,,"HOSE  
F206BB087W",2,2,,2,,N,,,,,724560294,M/#25770,,,,,,,,,I  
16,1,,172456-78290,,,"HOSE F206BC090W",2,2,,2,,,,,,,,,,,,,  
16-1,1,,172456-78291,,,"HOSE  
F206BC087W",2,2,,2,,N,,,,,724560294,M/#25770,,,,,,,,,I  
17,1,,172456-78300,,,"HOSE F204BC100W",2,2,,2,,,,,,,,,,,,,  
17-1,1,,172456-78301,,,"HOSE  
F204BC100W",2,2,,2,,N,,,,,724560294,M/#25770,,,,,,,,,I  
18,1,,172456-78310,,,"HOSE G704BB083W",2,2,,2,,,,,,,,,,,,,  
18-1,1,,172456-78311,,,"HOSE G704BB083W",2,2,,2,N,,,,,72456124,M/#20501,,,,,,,,,  
18-2,1,,172456-78312,,,"HOSE  
F204BB083W",2,2,,2,,N,,,,,724560294,M/#25770,,,,,,,,,I  
19,1,,172644-76161,,,"ADJUST ELBOW 45°",2,2,,2,,,,,,,,,,,,,  
20,2,,24315-000140,,,"O-RING 1B P-14.0",2,2,,2,,,,,,,,,,,,,



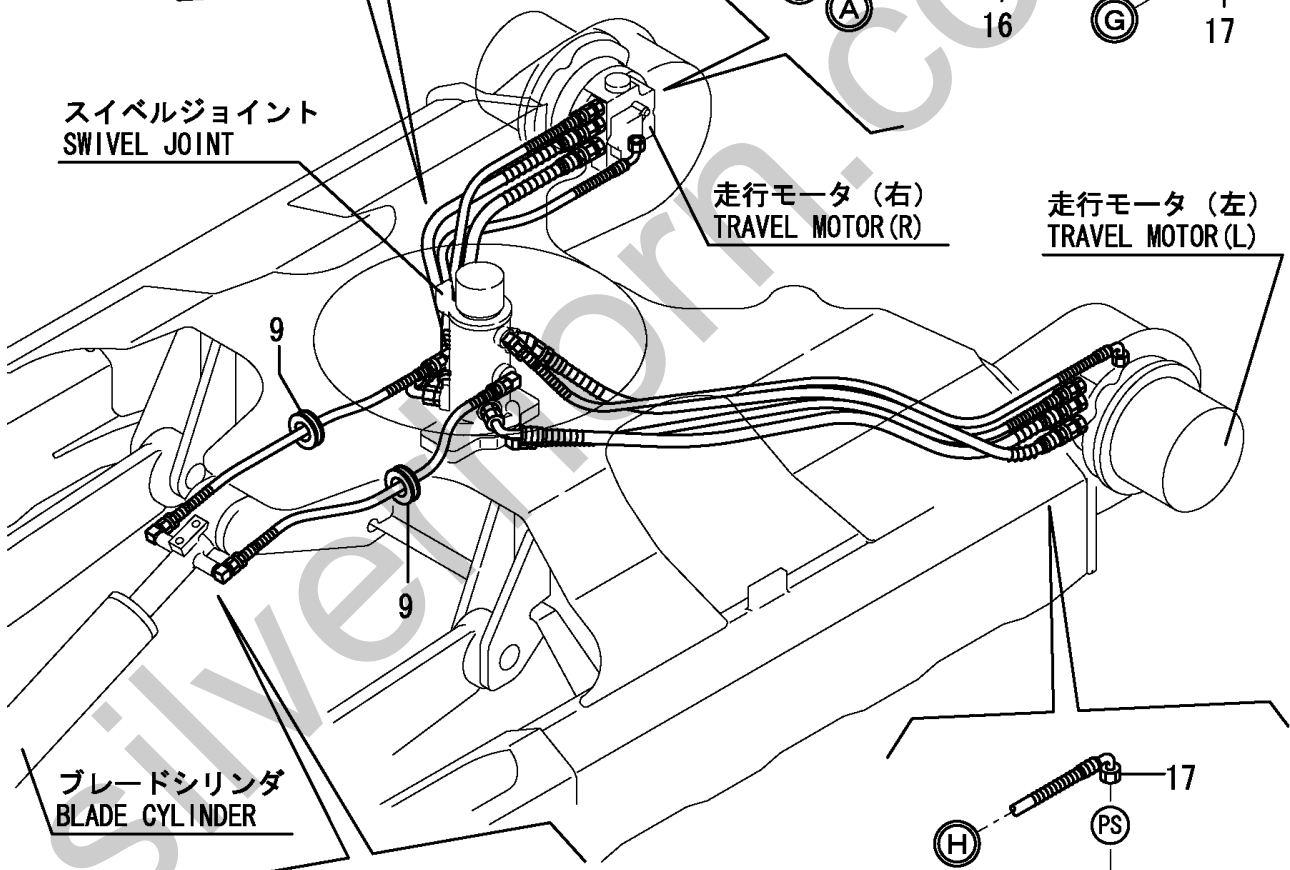




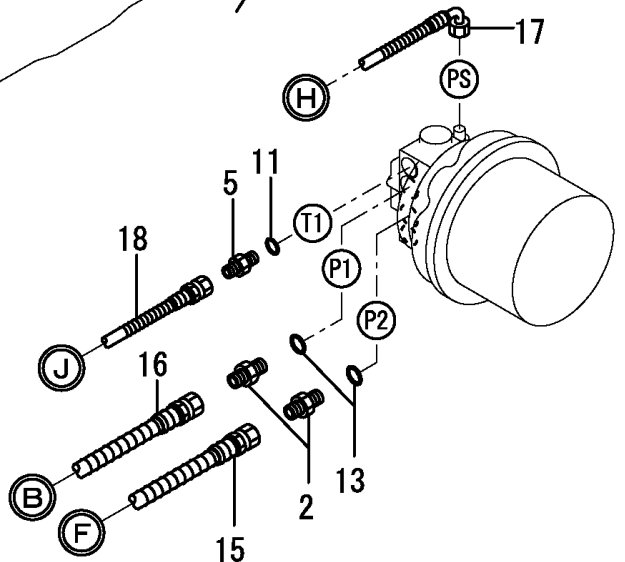
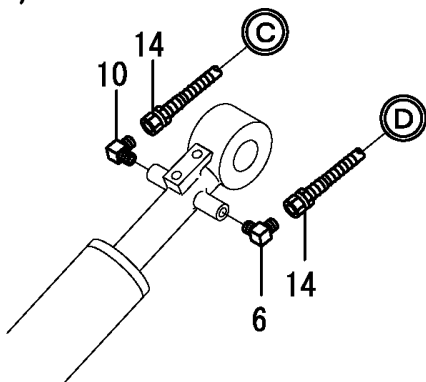
スィベルジョイント  
SWIVEL JOINT

走行モータ (右)  
TRAVEL MOTOR (R)

走行モータ (左)  
TRAVEL MOTOR (L)

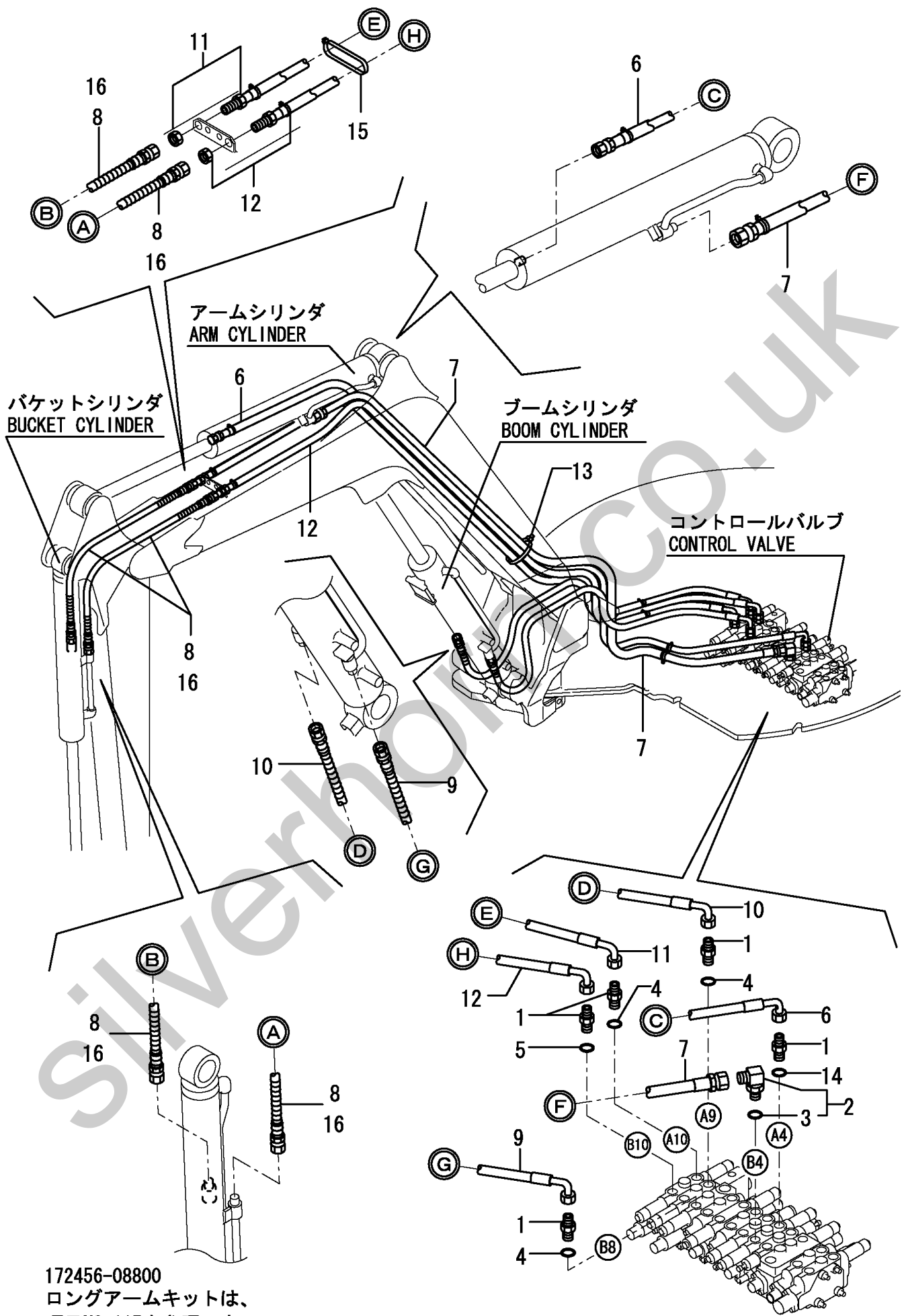


ブレードシリンダ  
BLADE CYLINDER



1,1,,172730-75141,,JOINT,5,5,,5,,,,,,,,,,,,,  
2,1,,172142-76181,, "JOINT 90-3/8 ASSY",1,1,,1,,,,,,,,,,,,,  
3,2,,24315-000140,, "O-RING 1B P-14.0",1,1,,1,,,,,,,,,,,,,  
4,1,,24315-000140,, "O-RING 1B P-14.0",3,3,,3,,,,,,,,,,,,,  
5,1,,24315-000140,, "O-RING 1B P-14.0",1,1,,1,,,,,,,,,,,,,  
6,1,,172456-78180,, "HOSE H206BC270K",1,1,,1,,,,,,,,,,,,,  
7,1,,172456-78190,, "HOSE H206BB227K",1,1,,1,,,,,,,,,,,,,  
8,1,,172457-78200,, "HOSE H206BB072W",,2,,,,,,,,,,,,,  
8-1,1,,172957-78150,, "HOSE H206BB070W",2,2,,2,,N,,72456172,M/#20785,,,,,,,,,  
9,1,,172456-78220,, "HOSE H206BC109W",1,1,,1,,,,,,,,,,,,,  
10,1,,172456-78230,, "HOSE H206BC114W",1,1,,1,,,,,,,,,,,,,  
11,1,,172456-78241,, "HOSE H206CX260K",1,1,,1,,,,,,,,,,,,,  
12,1,,172456-78251,, "HOSE H206CX250K",1,1,,1,,,,,,,,,,,,,  
13,1,,172122-79930,, "CLAMP B",1,1,,1,,,,,,,,,,,,,  
14,1,,24315-000140,, "O-RING 1B P-14.0",1,1,,1,,,,,,,,,,,,,  
15,1,,172122-79930,, "CLAMP B",1,1,,1,,W,,72456153,M/#20697,,,,,,,,,  
16,1,,172456-78510,, "HOSE H206BB094W",,2,,,,,,,,,1,,,,,,,,,

Silverhorn.CO.UK



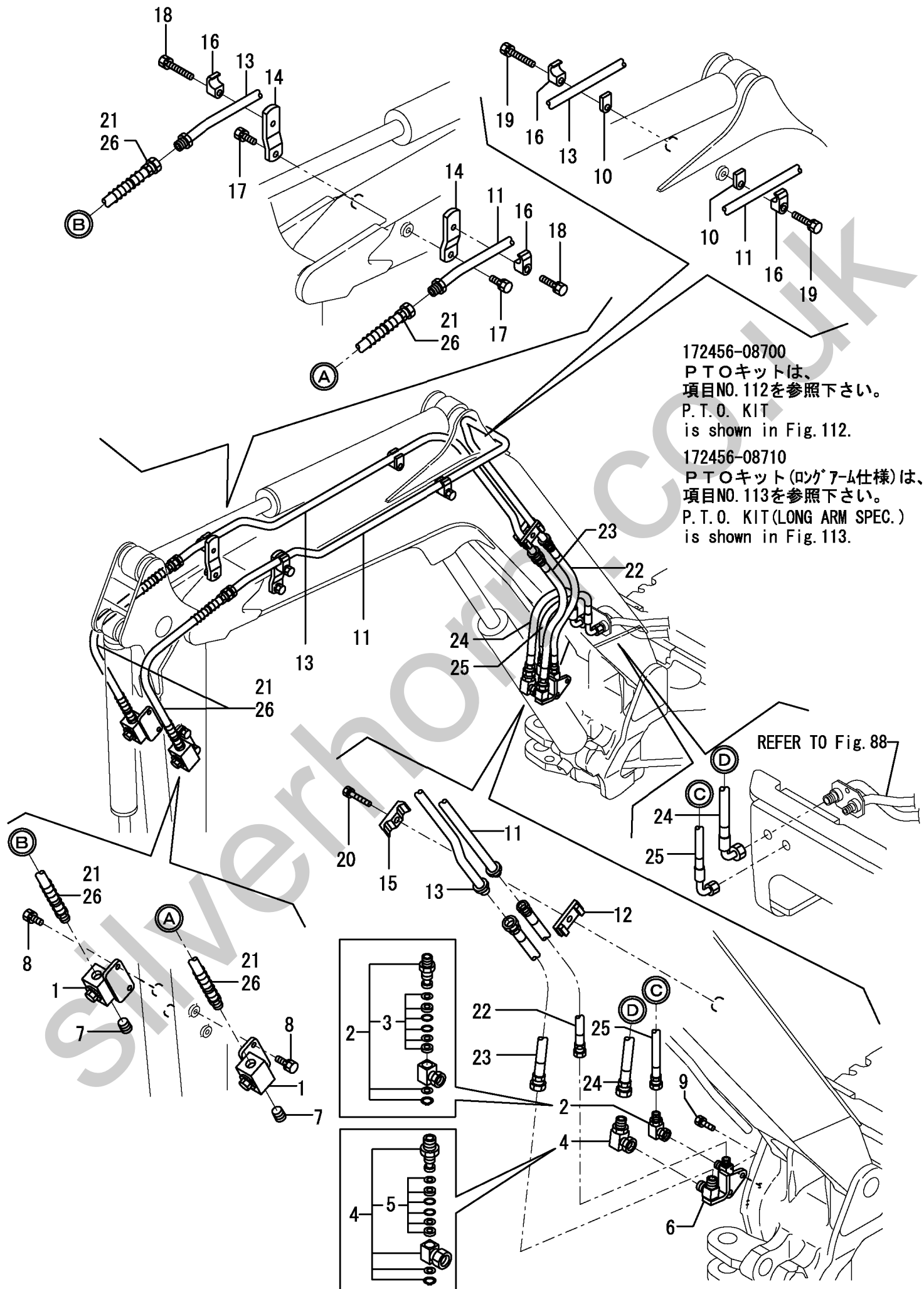
172456-08800

ロングアームキットは、  
項目NO. 115を参照下さい。

LONG ARM KIT  
is shown in Fig. 115.

1,1,,172183-74820,, "STOP VALVE",2,2,,2,,,,,,,,,,,,,,,,,,,,,  
2,1,,172456-76250,, "JOINT 3/8,SWIVEL",1,1,,1,,,,,,,,,,,,,,,,,,,,,I  
3,2,,172456-76260,, "SEAL SET 3/8",1,1,,1,,W,,,,,72456274,M/#20501,,,,,,,,,,,,,I  
4,1,,172142-76270,, "JOINT 1/2, SWIVEL",1,1,,1,,,,,,,,,,,,,,,,,,,,,I  
5,2,,172142-77040,, "SEAL SET",1,1,,1,,,,,,,,,,,,,,,,,,,,,I  
6,1,,172456-76700,, "JOINT,P.T.O",1,1,,1,,,,,,,,,,,,,,,,,,,,,I  
7,1,,23871-040000,, "PLUG PT1/2,SCREW",2,2,,2,,,,,,,,,,,,,,,,,,,,,  
8,1,,26013-100252,, "BOLT W/WASHER M10X25",4,4,,4,,,,,,,,,,,,,,,,,,,,,  
9,1,,26013-100252,, "BOLT W/WASHER M10X25",2,2,,2,,,,,,,,,,,,,,,,,,,,,I  
10,1,,172183-76250,, "PLATE (GREEN:97)",2,2,,2,,,,,,,,,,,,,,,,,,,,,  
11,1,,172456-76600,, "TUBE L,P.T.O. (97)",1,1,,1,,,,,,,,,,,,,,,,,,,,,  
12,1,,172175-76640,, "BOSS COMP (GREEN:97)",1,1,,1,,,,,,,,,,,,,,,,,,,,,  
13,1,,172456-76650,, "TUBE L,P.T.O. (97)",1,1,,1,,,,,,,,,,,,,,,,,,,,,  
14,1,,172458-76680,, "STAY (GREEN:97)",2,2,,2,,,,,,,,,,,,,,,,,,,,,  
15,1,,172175-76750,, "CLAMP 1/2 (GREEN:97)",1,1,,1,,,,,,,,,,,,,,,,,,,,,  
16,1,,172142-76950-4,, "CLAMP 1/2 (GREEN:97)",4,4,,4,,,,,,,,,,,,,,,,,,,,,  
17,1,,26013-120302,, "BOLT W/WASHER M12X30",2,2,,2,,,,,,,,,,,,,,,,,,,,,  
18,1,,26013-120402,, "BOLT M12X 40",2,2,,2,,,,,,,,,,,,,,,,,,,,,  
19,1,,26013-120502,, "BOLT M12X 50",2,2,,2,,,,,,,,,,,,,,,,,,,,,  
20,1,,26013-120552,, "BOLT M12X55",1,1,,1,,,,,,,,,,,,,,,,,,,,,  
21,1,,172456-78910,, "HOSE H208AB060W",2,2,,2,,,,,,,,,,,,,,,,,,,,,  
22,1,,172456-78920,, "HOSE H206BB068",1,1,,1,,,,,,,,,,,,,,,,,,,,,  
23,1,,172456-78930,, "HOSE H208BB065",1,1,,1,,,,,,,,,,,,,,,,,,,,,  
24,1,,172456-78940,, "HOSE H208BC090",1,1,,1,,,,,,,,,,,,,,,,,,,,,I  
25,1,,172456-78950,, "HOSE H206BC077",1,1,,1,,,,,,,,,,,,,,,,,,,,,I  
26,1,,172456-78900,, "HOSE H206AB082W",2,,,,,1,,,,,,,,,,,,,,,,,,,,,





172456-08700  
 P.T.O.キットは、  
 項目NO. 112を参照下さい。  
 P.T.O. KIT  
 is shown in Fig. 112.

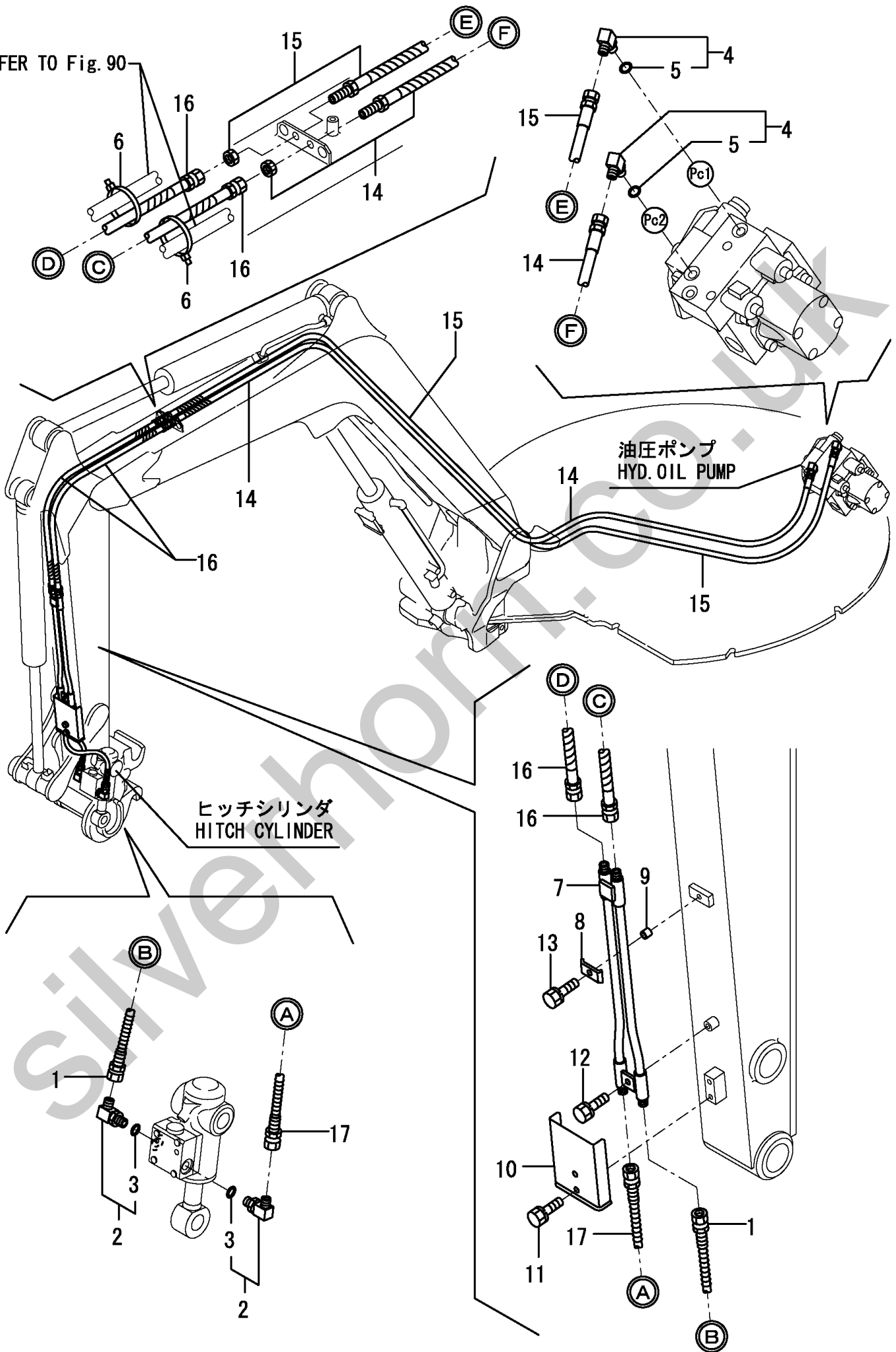
172456-08710  
 P.T.O.キット (ロングアーム仕様)は、  
 項目NO. 113を参照下さい。  
 P.T.O. KIT (LONG ARM SPEC.)  
 is shown in Fig. 113.

REFER TO Fig. 88

1,1,,172958-78160,, "HOSE G604BB049W",,1,,,,,,,,,,,,,  
 1-1,1,,172958-78200,, "HOSE F102BB050W",,1,,,,,N,,,,,72956024,M/#21004,,,,,,  
 1-2,1,,172956-78120,, "HOSE F102BB051W",,1,1,1,,,,,N,,,,,72956026,M/#21006,,,,,,  
 2,1,,172958-76130,, "ELBOW PF1/4-PF1/4",,2,2,,2,,,,,,,,,,,,,  
 3,2,,24315-000110,, "O-RING 1B P-11.0",,2,2,,2,,,,,,,,,,,,,  
 4,1,,172141-76180,, CONNECTOR,2,2,,2,,,,,,,,,,,,,  
 5,2,,24315-000110,, "O-RING 1B P-11.0",,2,2,,2,,,,,,,,,,,,,  
 6,1,,172122-79930,, "CLAMP B",,2,2,,2,,,,,,,,,,,,,  
 7,1,,172956-76100,, "TUBE,HITCH(GREEN:97)",,1,1,1,,,,,,  
 8,1,,172110-76170-4,, "PLATE (GREEN:97)",,1,1,1,,,,,,  
 9,1,,172137-76580,, "COLLER 9X11",,1,1,1,,,,,,  
 10,1,,172958-81900,, "COVER,ARM (GREEN:97)",,1,,,,,,,,,,,,,  
 10-1,1,,172956-81900,, "COVER ASSY, ARM",,1,1,1,,,,,N,,,,,72956024,M/#21004,,,,,,  
 11,1,,26013-080162,, "BOLT W/WASHER M8X16",,2,2,,2,,,,,,,,,,,,,  
 12,1,,26013-080162,, "BOLT W/WASHER M8X16",,1,1,1,,,,,,  
 13,1,,26013-080252,, "BOLT M 8X 25",,1,1,1,,,,,,  
 14,1,,172956-78100,, "HOSE G205BX313K",,1,1,1,,,,,,  
 15,1,,172956-78110,, "HOSE G205BX313K",,1,1,1,,,,,,  
 16,1,,172957-78111,, "HOSE H204BB075K",,2,2,,2,,,,,,,,,,,,,  
 17,1,,172958-78120,, "HOSE G604BB048W",,1,,,,,,,,,,,,,  
 17-1,1,,172958-78200,, "HOSE F102BB050W",,1,1,1,,,,,N,,,,,72956024,M/#21004,,,,,,

Silverhorn.CO.UK

REFER TO Fig. 90

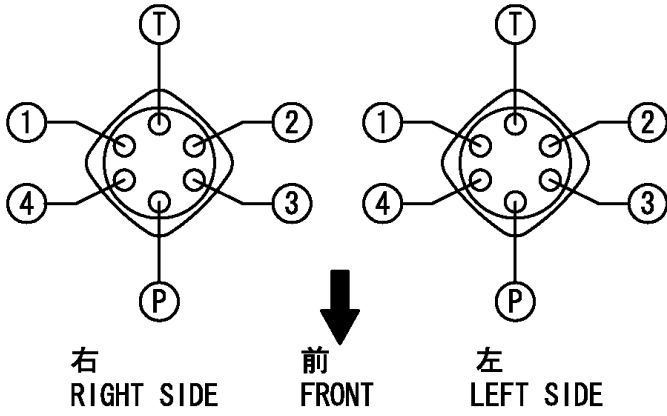


1,1,,172123-76121,, "JOINT PF1/4",2,2,,2,,,,,,,,,,,,,  
2,1,,172187-76210,, ELBOW,1,1,,1,,,,,,,,,,,,,  
3,2,,24315-000110,, "O-RING 1B P-11.0",1,1,,1,,,,,,,,,,,,,  
4,1,,24315-000110,, "O-RING 1B P-11.0",4,4,,4,,,,,,,,,,,,,  
5,1,,172456-78350,, "HOSE F403BB120S",1,1,,1,,,,,,,,,,,,,  
6,1,,172456-78360,, "HOSE G804BY140S",2,2,,2,,,,,,,,,,,,,  
7,1,,172456-78410,, "HOSE F403BB102S",1,1,,1,,,,,,,,,,,,,  
8,1,,23000-013000,, "CLAMP 13",2,2,,2,,,,,,,,,,,,,  
9,1,,172455-76220,, "CONNECTOR PF1/4",2,2,,2,,,,,,,,,,,,,

Silverhorn.CO.UK



上から見る  
VIEWED FROM UPPER

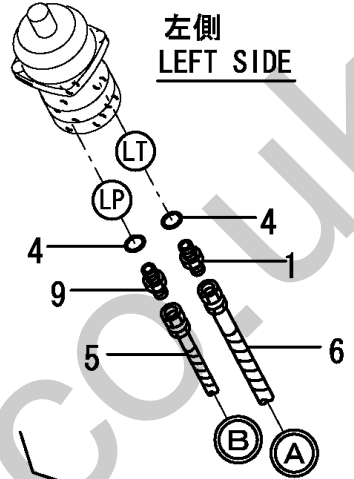


右  
RIGHT SIDE

前  
FRONT

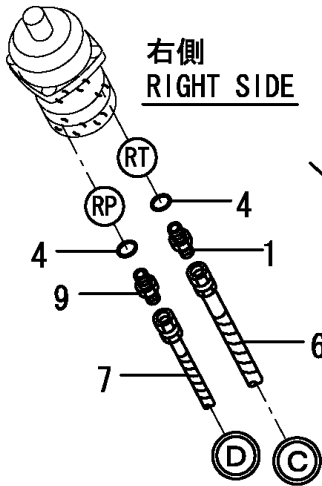
左  
LEFT SIDE

左側  
LEFT SIDE

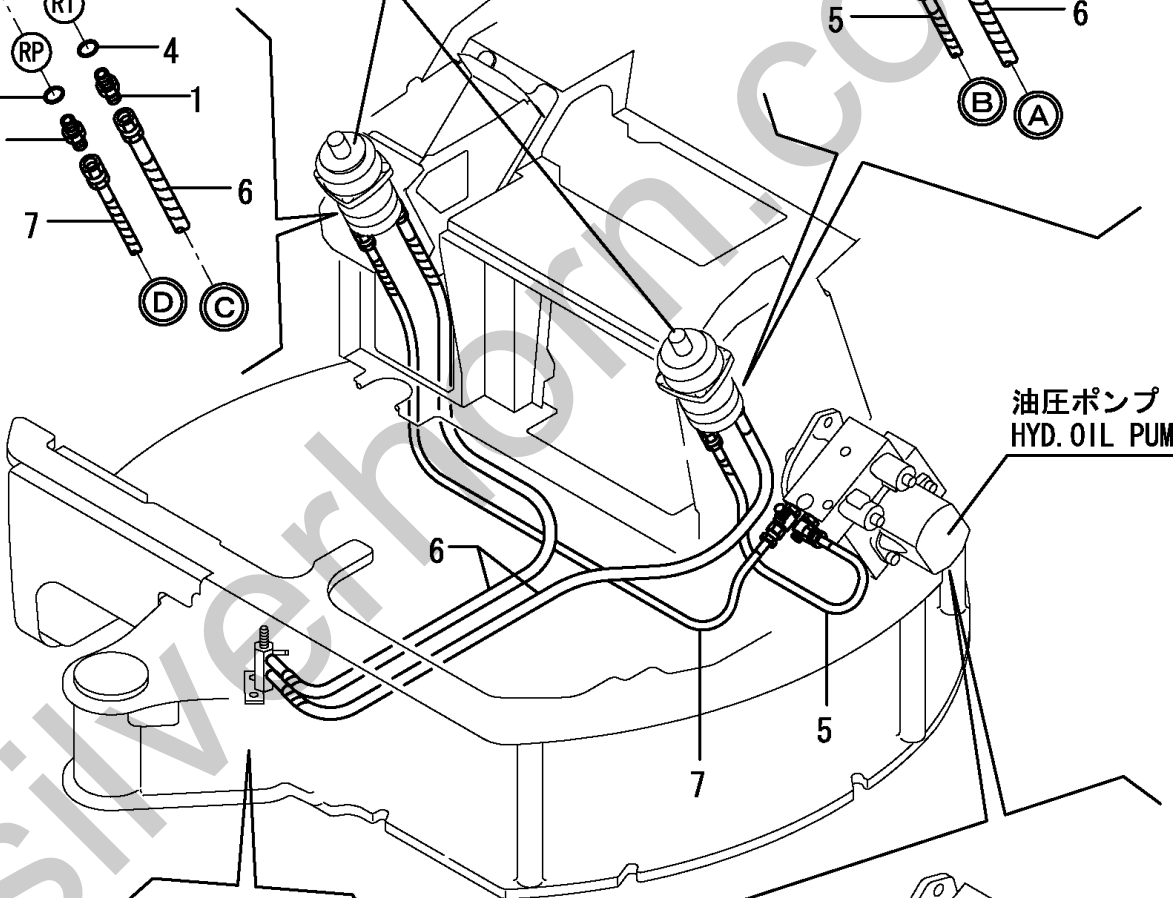


右側  
RIGHT SIDE

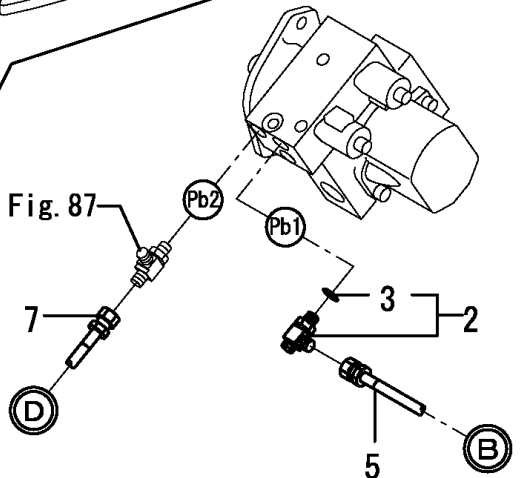
リモコンバルブ  
REMOTE CONTROL VALVE



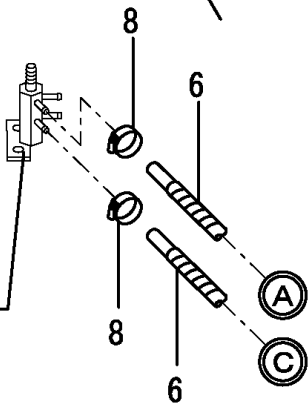
油圧ポンプ  
HYD. OIL PUMP



REFER TO Fig. 87



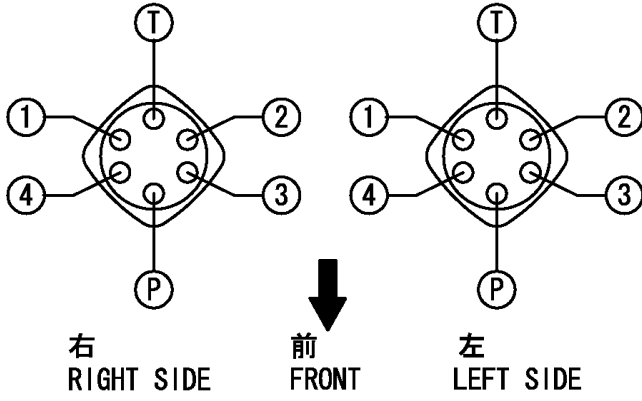
REFER TO Fig. 87



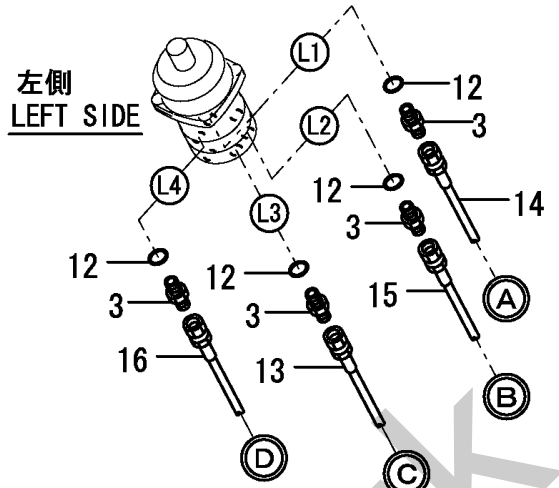
1,1,,172123-76121,, "JOINT PF1/4",1,1,,1,,,,,,,,,,,,,,,,,,,,,  
2,1,,172123-76121,, "JOINT PF1/4",1,1,,1,,,,,,,,,,,,,,,,,,,,,  
3,1,,172123-76121,, "JOINT PF1/4",8,8,,8,,,,,,,,,,,,,,,,,,,,,  
4,1,,172122-79930,, "CLAMP B",2,2,,2,,,,,,,,,,,,,,,,,,,,,  
5,1,,172141-76180,, CONNECTOR,2,2,,2,,,,,,,,,,,,,,,,,,,,,  
6,2,,24315-000110,, "O-RING 1B P-11.0",2,2,,2,,,,,,,,,,,,,,,,,,,,,  
7,1,,172183-76200,, "CONNECTOR 1/4-1/4",1,1,,1,,,,,,,,,,,,,,,,,,,,,  
8,1,,172126-11510,, "BAND 300",4,4,,4,,,,,,,,,,,,,,,,,,,,,  
9,1,,24315-000110,, "O-RING 1B P-11.0",1,1,,1,,,,,,,,,,,,,,,,,,,,,  
10,1,,24315-000110,, "O-RING 1B P-11.0",1,1,,1,,,,,,,,,,,,,,,,,,,,,  
11,1,,24315-000110,, "O-RING 1B P-11.0",1,1,,1,,,,,,,,,,,,,,,,,,,,,  
12,1,,24315-000110,, "O-RING 1B P-11.0",8,8,,8,,,,,,,,,,,,,,,,,,,,,  
13,1,,172456-78430,, "HOSE F403BB156S",1,1,,1,,,,,,,,,,,,,,,,,,,,,  
14,1,,172456-78440,, "HOSE F403BB110S",1,1,,1,,,,,,,,,,,,,,,,,,,,,  
15,1,,172456-78450,, "HOSE F403BB110S",1,1,,1,,,,,,,,,,,,,,,,,,,,,  
16,1,,172456-78460,, "HOSE F403BB110S",1,1,,1,,,,,,,,,,,,,,,,,,,,,  
17,1,,172456-78470,, "HOSE F403BB142S",1,1,,1,,,,,,,,,,,,,,,,,,,,,  
18,1,,172458-78420,, "HOSE F403BB097S",1,1,,1,,,,,,,,,,,,,,,,,,,,,  
19,1,,172458-78390,, "HOSE F403BB097S",1,1,,1,,,,,,,,,,,,,,,,,,,,,  
20,1,,172456-78500,, "HOSE F403BC132S",1,1,,1,,,,,,,,,,,,,,,,,,,,,  
21,1,,172458-78570,, "SPONGE,HOSE",1,1,,1,,,,,,,,,,,,,,,,,,,,,  
22,1,,172444-78800,, "SPONGE, HOSE",1,1,,1,,,,,,,,,,,,,,,,,,,,,

Silverhorn.CO.UK

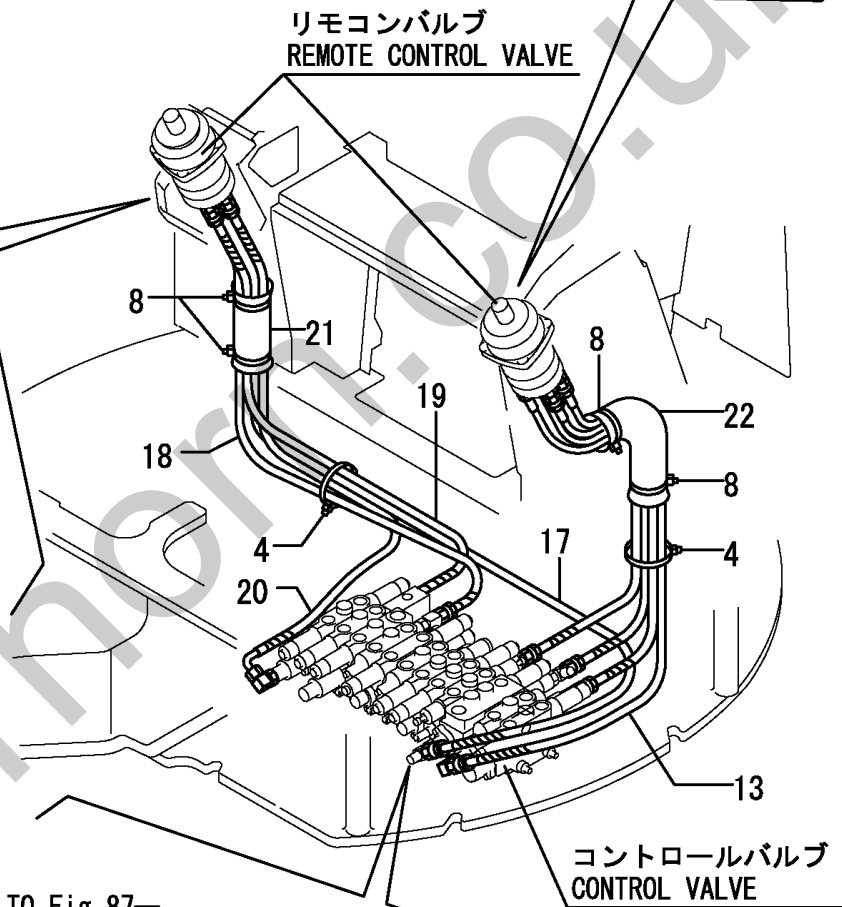
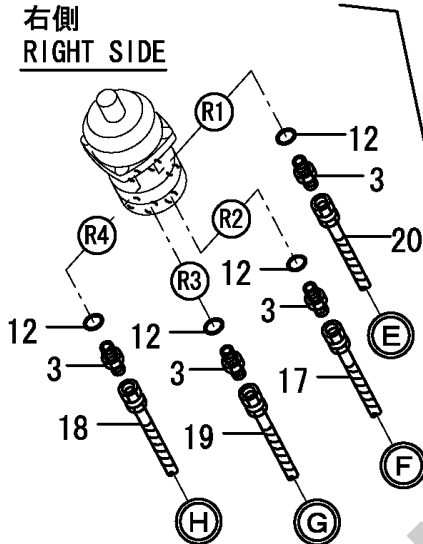
上から見る  
VIEWED FROM UPPER



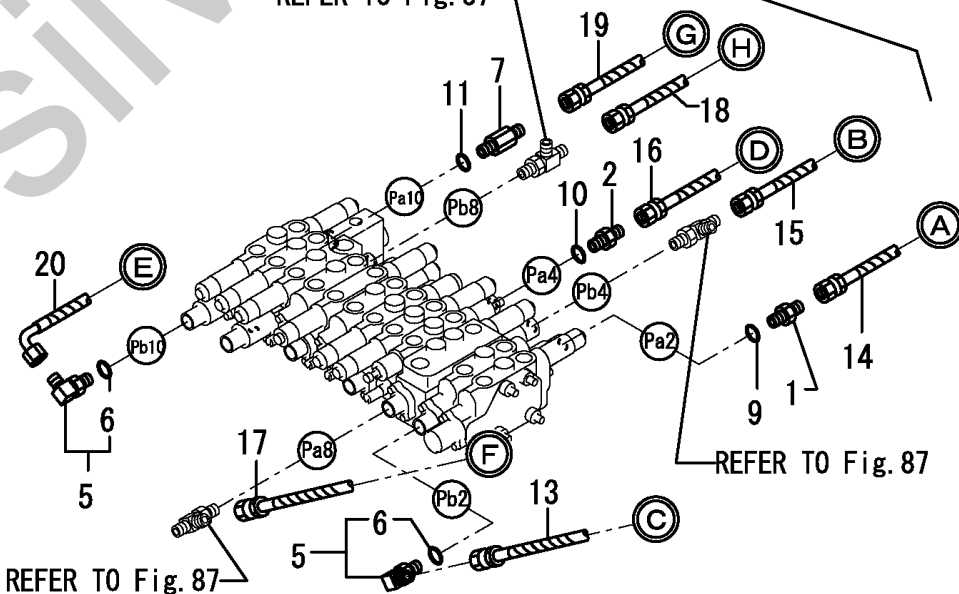
左側  
LEFT SIDE



右側  
RIGHT SIDE



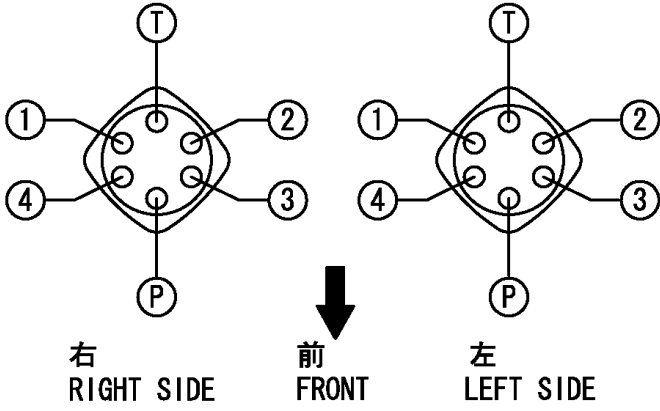
REFER TO Fig. 87



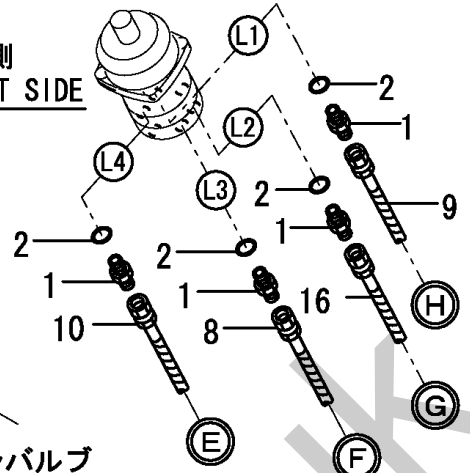
1,1,,172123-76121,, "JOINT PF1/4",8,8,,,,,,,,,,,,,,,,,,,,,  
2,1,,24315-000110,, "O-RING 1B P-11.0",8,8,,,,,,,,,,,,,,,,,,,,,  
3,1,,172173-76101,, "CONNECTOR PF1/4-45",2,2,,,,,,,,,,,,,,,,,,,,,  
4,2,,24315-000110,, "O-RING 1B P-11.0",2,2,,,,,,,,,,,,,,,,,,,,,  
5,1,,172141-76180,, CONNECTOR,6,6,,,,,,,,,,,,,,,,,,,,,  
6,2,,24315-000110,, "O-RING 1B P-11.0",6,6,,,,,,,,,,,,,,,,,,,,,  
7,1,,172126-11510,, "BAND 300",4,4,,,,,,,,,,,,,,,,,,,,,  
8,1,,172456-78320,, "HOSE F403BB107S",1,1,,,,,,,,,,,,,,,,,,,,,  
9,1,,172456-78330,, "HOSE F403BB100S",1,1,,,,,,,,,,,,,,,,,,,,,  
10,1,,172456-78340,, "HOSE F403BB125S",1,1,,,,,,,,,,,,,,,,,,,,,  
11,1,,172456-78370,, "HOSE F403BB156S",1,1,,,,,,,,,,,,,,,,,,,,,  
12,1,,172456-78380,, "HOSE F403BB117S",1,1,,,,,,,,,,,,,,,,,,,,,  
13,1,,172456-78390,, "HOSE F403BB152S",1,1,,,,,,,,,,,,,,,,,,,,,  
14,1,,172456-78400,, "HOSE F403BB112S",1,1,,,,,,,,,,,,,,,,,,,,,  
15,1,,172458-78570,, "SPONGE,HOSE",1,1,,,,,,,,,,,,,,,,,,,,,  
16,1,,172458-78790,, "HOSE F403BB116S",1,1,,,,,,,,,,,,,,,,,,,,,  
17,1,,172444-78800,, "SPONGE, HOSE",1,1,,,,,,,,,,,,,,,,,,,,,  
18,1,,172122-79930,, "CLAMP B",3,3,,,,,,,,,,,,,,,,,,,,,

Silverhorn.CO.UK

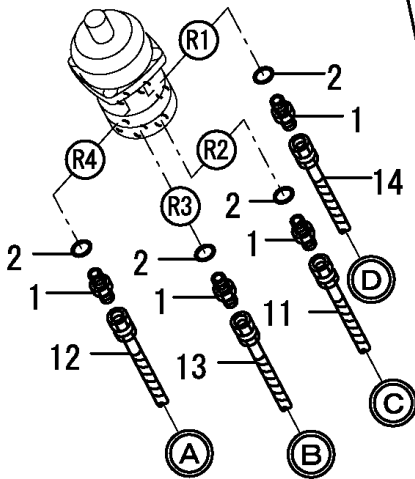
上から見る  
VIEWED FROM UPPER



左側  
LEFT SIDE

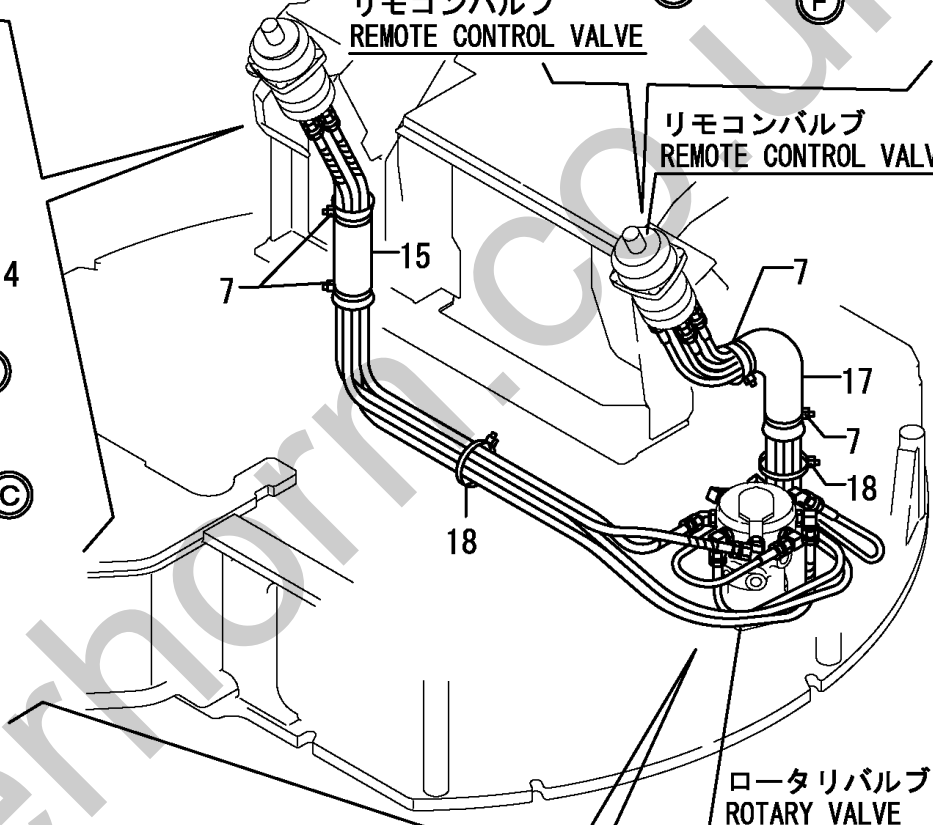


右側  
RIGHT SIDE

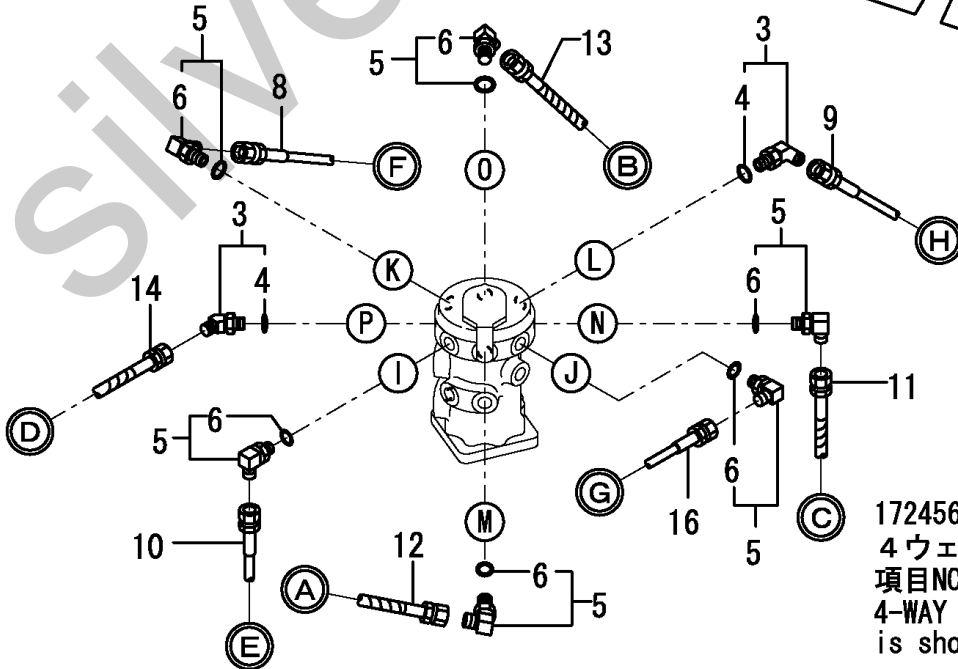


リモコンバルブ  
REMOTE CONTROL VALVE

リモコンバルブ  
REMOTE CONTROL VALVE



ロータリバルブ  
ROTARY VALVE

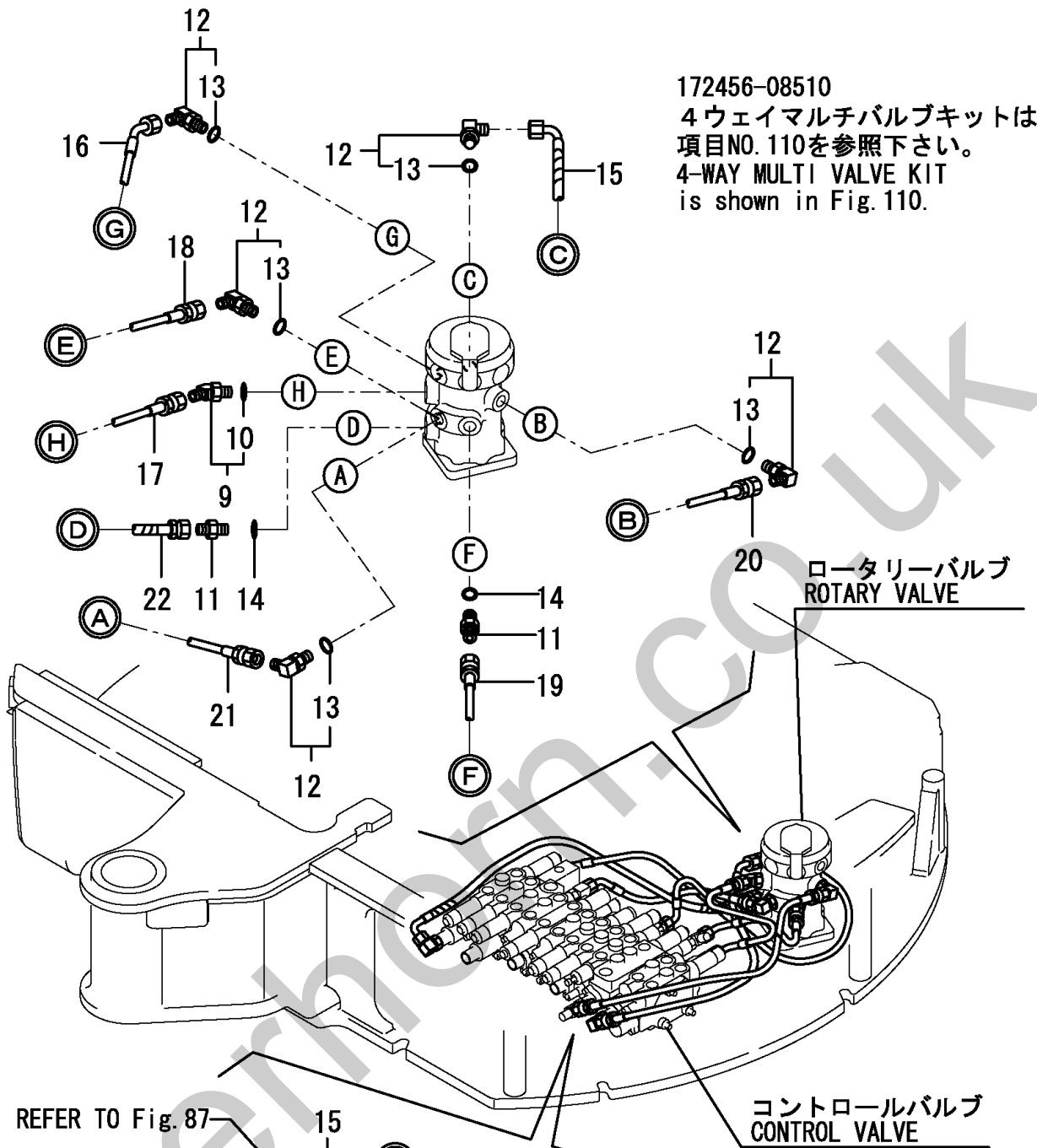


172456-08510  
4ウェイマルチバルブキットは、  
項目NO. 110を参照下さい。  
4-WAY MULTI VALVE KIT  
is shown in Fig. 110.

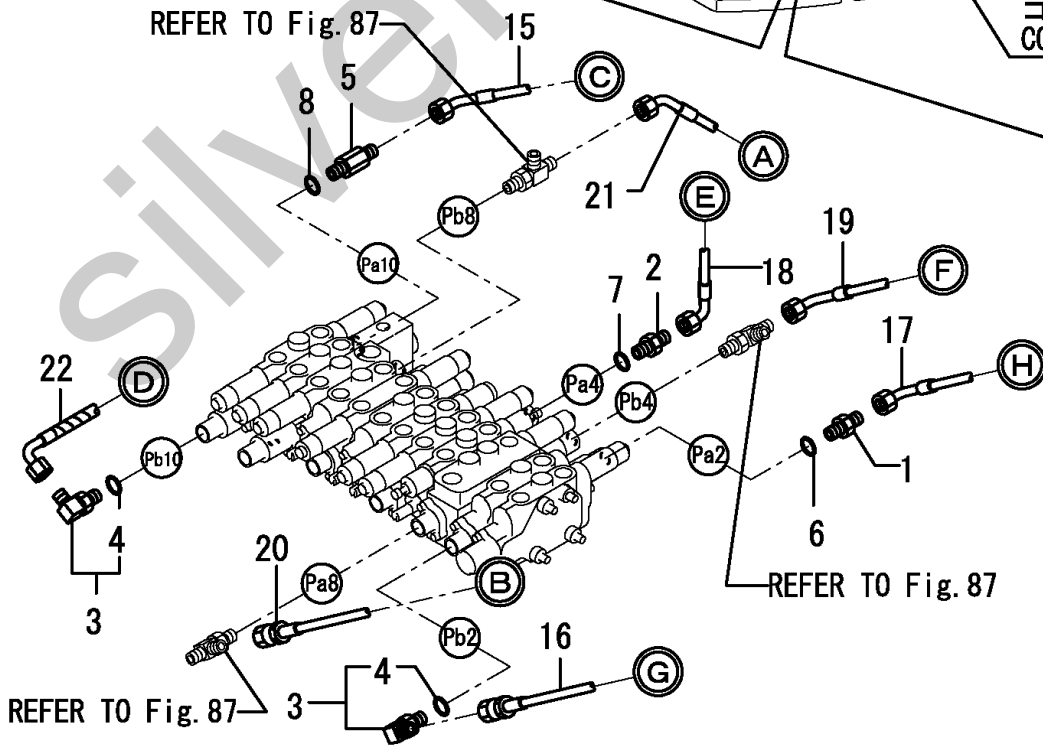
1,1,,172123-76121,, "JOINT PF1/4",1,1,,1,,,,,,,,,,,,,,,,,,,,,  
2,1,,172123-76121,, "JOINT PF1/4",1,1,,1,,,,,,,,,,,,,,,,,,,,,  
3,1,,172141-76180,, CONNECTOR,2,2,,2,,,,,,,,,,,,,,,,,,,,,  
4,2,,24315-000110,, "O-RING 1B P-11.0",2,2,,2,,,,,,,,,,,,,,,,,,,,,  
5,1,,172183-76200,, "CONNECTOR 1/4-1/4",1,1,,1,,,,,,,,,,,,,,,,,,,,,  
6,1,,24315-000110,, "O-RING 1B P-11.0",1,1,,1,,,,,,,,,,,,,,,,,,,,,  
7,1,,24315-000110,, "O-RING 1B P-11.0",1,1,,1,,,,,,,,,,,,,,,,,,,,,  
8,1,,24315-000110,, "O-RING 1B P-11.0",1,1,,1,,,,,,,,,,,,,,,,,,,,,  
9,1,,172173-76101,, "CONNECTOR PF1/4-45",1,1,,1,,,,,,,,,,,,,,,,,,,,,  
10,2,,24315-000110,, "O-RING 1B P-11.0",1,1,,1,,,,,,,,,,,,,,,,,,,,,  
11,1,,172123-76121,, "JOINT PF1/4",2,2,,2,,,,,,,,,,,,,,,,,,,,,  
12,1,,172141-76180,, CONNECTOR,5,5,,5,,,,,,,,,,,,,,,,,,,,,  
13,2,,24315-000110,, "O-RING 1B P-11.0",5,5,,5,,,,,,,,,,,,,,,,,,,,,  
14,1,,24315-000110,, "O-RING 1B P-11.0",2,2,,2,,,,,,,,,,,,,,,,,,,,,  
15,1,,172456-78420,, "HOSE F403CE065S",1,1,,1,,,,,,,,,,,,,,,,,,,,,  
16,1,,172458-78610,, "HOSE F403BE057",1,1,,1,,,,,,,,,,,,,,,,,,,,,  
17,1,,172458-78620,, "HOSE F403BC030",1,1,,1,,,,,,,,,,,,,,,,,,,,,  
18,1,,172458-78630,, "HOSE F403BC027",1,1,,1,,,,,,,,,,,,,,,,,,,,,  
19,1,,172458-78640,, "HOSE F403BC027",1,1,,1,,,,,,,,,,,,,,,,,,,,,  
20,1,,172458-78650,, "HOSE F403BB055",1,1,,1,,,,,,,,,,,,,,,,,,,,,  
21,1,,172458-78660,, "HOSE F403BC030",1,1,,1,,,,,,,,,,,,,,,,,,,,,  
22,1,,172458-78670,, "HOSE F403BC065S",1,1,,1,,,,,,,,,,,,,,,,,,,,,

Silverhorn.CO.UK

172456-08510  
 4ウェイマルチバルブキットは、  
 項目NO. 110を参照下さい。  
 4-WAY MULTI VALVE KIT  
 is shown in Fig. 110.



REFER TO Fig. 87

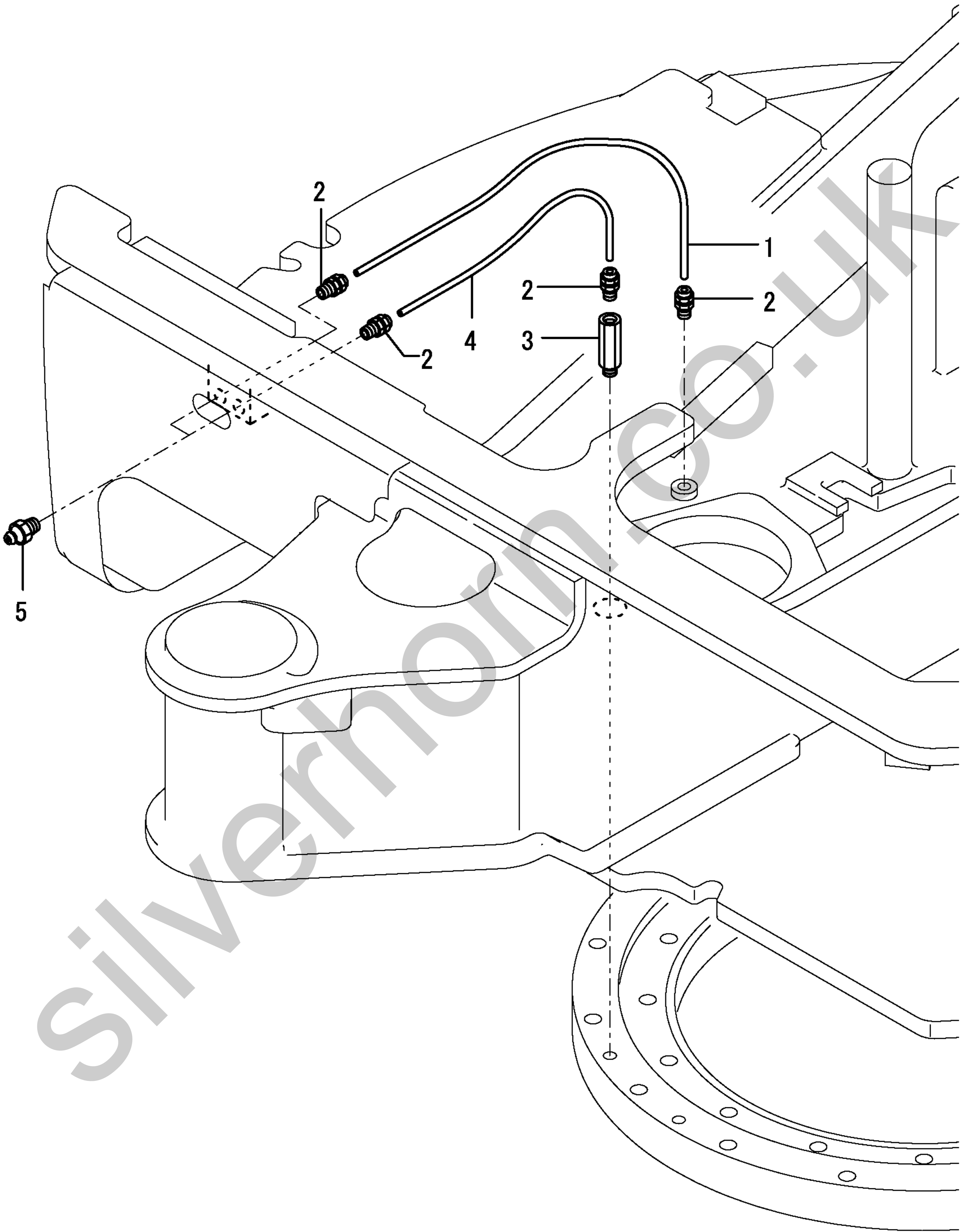


REFER TO Fig. 87

1,1,,172186-77100,, "HOSE P602YY055",1,1,,1,,,,,,,,,,,,,  
2,1,,172141-77800,, "JOINT, GREASE",4,4,,4,,,,,,,,,,,,,  
3,1,,172147-77800,, "CONNECTOR PT 1/8",,1,,,,,,,,,,,,,  
3-1,1,,172312-77820,, "FITTING, GREASE",1,1,,1,,N,,,,,72458366,M/#20501,,,,,,,,,  
4,1,,172151-77801,, "HOSE P602YY045",1,1,,1,,,,,,,,,,,,,  
5,1,,24761-020000,, "NIPPLE PT1/8,GREASE",2,2,,2,,,,,,,,,,,,,

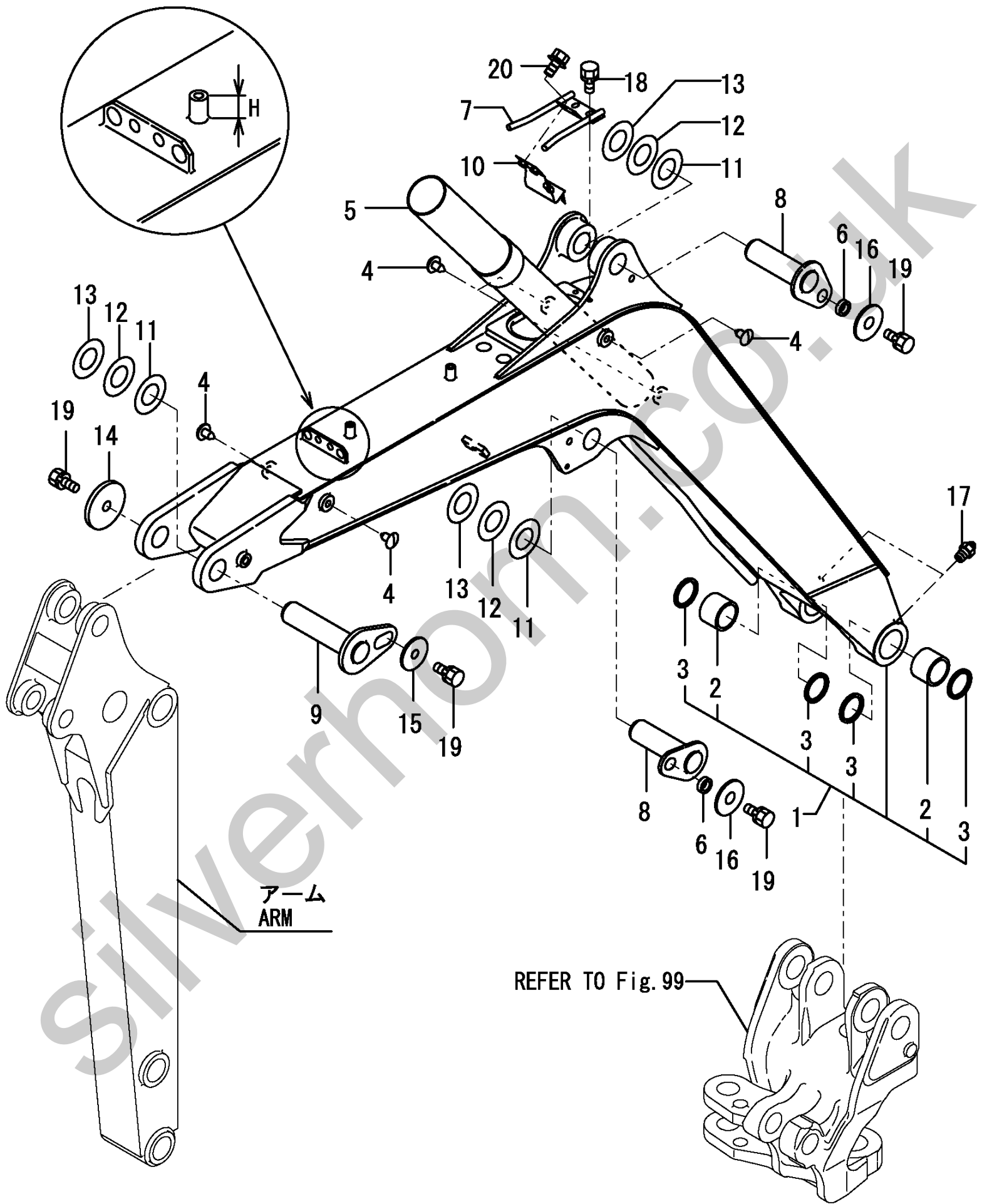
Silverhorn.CO.UK





1,1,,172456-81100,, "BOOM (GREEN:97)",,1,,,,,,,,,,,,,  
 1-1,1,,172456-81101,, "BOOM (GREEN:97)",,1,,,,,N,,,,,72458312,M/#20508,,,,,  
 1-2,1,,172456-81102,, "BOOM (GREEN:97)",,1,,,,,N,,,,,72458334,M/#20556,,,,,  
 1-3,1,,172456-81103,, "BOOM  
 (GREEN:97)",,1,1,,1,,,S,1,,,72456281,M/#22501,,,,,,I  
 2,2,,172168-72400,, "BUSH 45X55X40",,2,2,,2,,,,,  
 3,2,,172168-81410,, "SEAL 45X55X4, DUST",,4,4,,4,,,,,  
 4,1,,172183-81170,, "TREE CLIP",,5,5,,5,,,,,  
 5,1,,172456-81450,, "GUARD,HOSE",,1,1,,1,,,,,  
 6,1,,172164-81670,, "SPACER",,2,2,,2,,,,,  
 7,1,,172458-81700,, "GUIDE,HOSE(GREEN:97)",,1,,,,,Z,,,,,72458334,M/#20556,,,,,  
 8,1,,172456-81710,, "PIN 40X134",,2,2,,2,,,,,  
 9,1,,172456-81740,, "PIN 40X167.5 ASSY",,1,1,,1,,,,,  
 10,1,,172458-81750,, "CLAMP,PIPE(GREEN:97)",,1,,,,,  
 10-1,1,,172458-  
 81751,, "CLAMP,PIPE(GREEN:97)",,1,1,,1,,,N,,,,,72458334,M/#20556,,,,,  
 11,1,,172165-82580,, "SHIM 40X75X0.5",,3,3,,3,,,,,  
 12,1,,172165-82590,, "SHIM 40X75X1.2",,3,3,,3,,,,,  
 13,1,,172165-82600,, "SHIM 40X75X1.6",,3,3,,3,,,,,  
 14,1,,172146-82910,, "SPACER",,1,1,,1,,,,,  
 15,1,,172444-82990,, "WASHER",,1,1,,1,,,,,  
 16,1,,22157-120000,, "WASHER 12",,2,2,,2,,,,,  
 17,1,,24761-050000,, "NIPPLE C,GREASE",,2,2,,2,,,,,  
 18,1,,26014-080162,, "BOLT M 8X 16",,2,2,,2,,,,,  
 19,1,,26013-120252,, "BOLT M12X 25",,4,4,,4,,,,,  
 20,1,,26014-080202,, "BOLT M 8X 20",,2,,,,,Z,,,,,72458334,M/#20556,,,,,

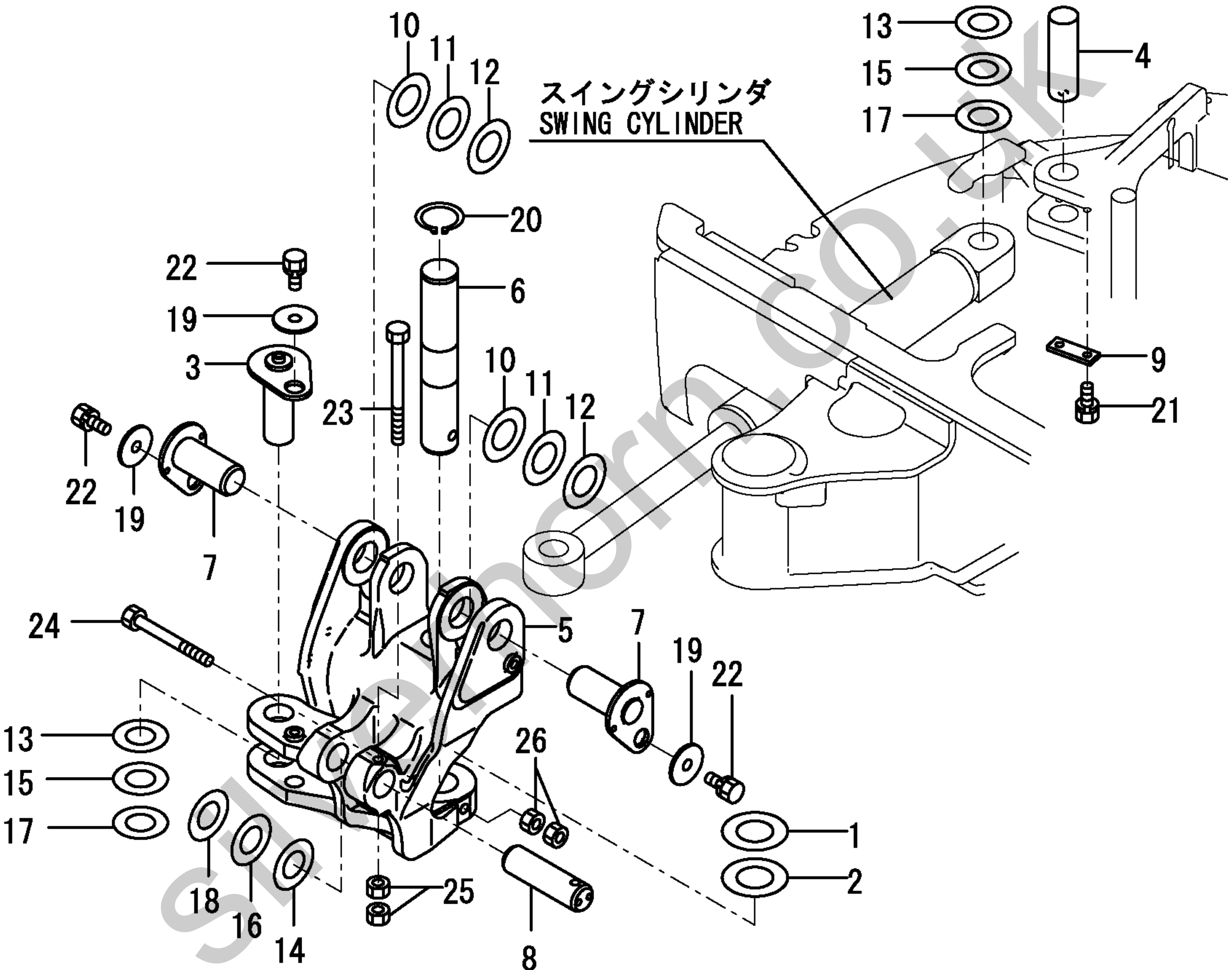




1,1,,172173-81700,,SHIM,,1,,,,,,,,,,,,,  
1-1,1,,172165-82530,,,"SHIM 50X85X1.2",1,1,1,,,R,,,,,724580547,M/#25604,,,,,,I  
2,1,,172173-81710,,SHIM,,1,,,,,,,,,,,,,  
2-1,1,,172165-82520,,,"SHIM 50X85X0.5",1,1,1,,,R,,,,,724580547,M/#25604,,,,,,I  
3,1,,172456-81900,,,"PIN 40X103",1,1,1,,,,,,,,,,,,,  
4,1,,172458-81920,,,"PIN 40X115",1,1,1,,,,,,,,,,,,,  
5,1,,172456-82300,,,"BRACKET,BOOM(GREEN97",1,1,1,,,,,,,,,,,,,  
6,1,,172456-82330,,,"PIN 50X264",1,1,1,,,,,,,,,,,,,  
7,1,,172456-82340,,,"PIN 45X95",2,2,2,,,,,,,,,,,,,  
8,1,,172456-82360,,,"PIN 40X124",1,1,1,,,,,,,,,,,,,  
9,1,,172456-82400,,,"PLATE,PIN",1,1,1,,,,,,,,,,,,,  
10,1,,172165-82550,,,"SHIM 45X1.2",2,2,2,,,,,,,,,,,,,  
11,1,,172165-82560,,,"SHIM 45X80X1.2",2,2,2,,,,,,,,,,,,,  
12,1,,172165-82570,,,"SHIM 45X80X1.6",2,2,2,,,,,,,,,,,,,  
13,1,,172165-82580,,,"SHIM 40X75X0.5",2,2,2,,,,,,,,,,,,,  
14,1,,172165-82580,,,"SHIM 40X75X0.5",1,1,1,,,,,,,,,,,,,  
15,1,,172165-82590,,,"SHIM 40X75X1.2",2,2,2,,,,,,,,,,,,,  
16,1,,172165-82590,,,"SHIM 40X75X1.2",1,1,1,,,,,,,,,,,,,  
17,1,,172165-82600,,,"SHIM 40X75X1.6",2,2,2,,,,,,,,,,,,,  
18,1,,172165-82600,,,"SHIM 40X75X1.6",1,1,1,,,,,,,,,,,,,  
19,1,,22157-120000,,,"WASHER 12",3,3,3,,,,,,,,,,,,,  
20,1,,22242-000500,,,"CIRCLIP 50",1,1,1,,,,,,,,,,,,,  
21,1,,26013-100202,,,"BOLT W/WASHER M10X20",2,2,2,,,,,,,,,,,,,  
22,1,,26013-120252,,,"BOLT M12X 25",3,3,3,,,,,,,,,,,,,  
23,1,,26116-121102,,,"BOLT M12X110 PLATED",1,1,1,,,,,,,,,,,,,  
24,1,,26206-141502,,,"BOLT M14X150 PLATED",1,1,1,,,,,,,,,,,,,  
25,1,,26716-120002,,,"NUT 12",2,2,2,,,,,,,,,,,,,  
26,1,,26716-140002,,,"NUT M14",2,2,2,,,,,,,,,,,,,

Silverhorm.co.uk

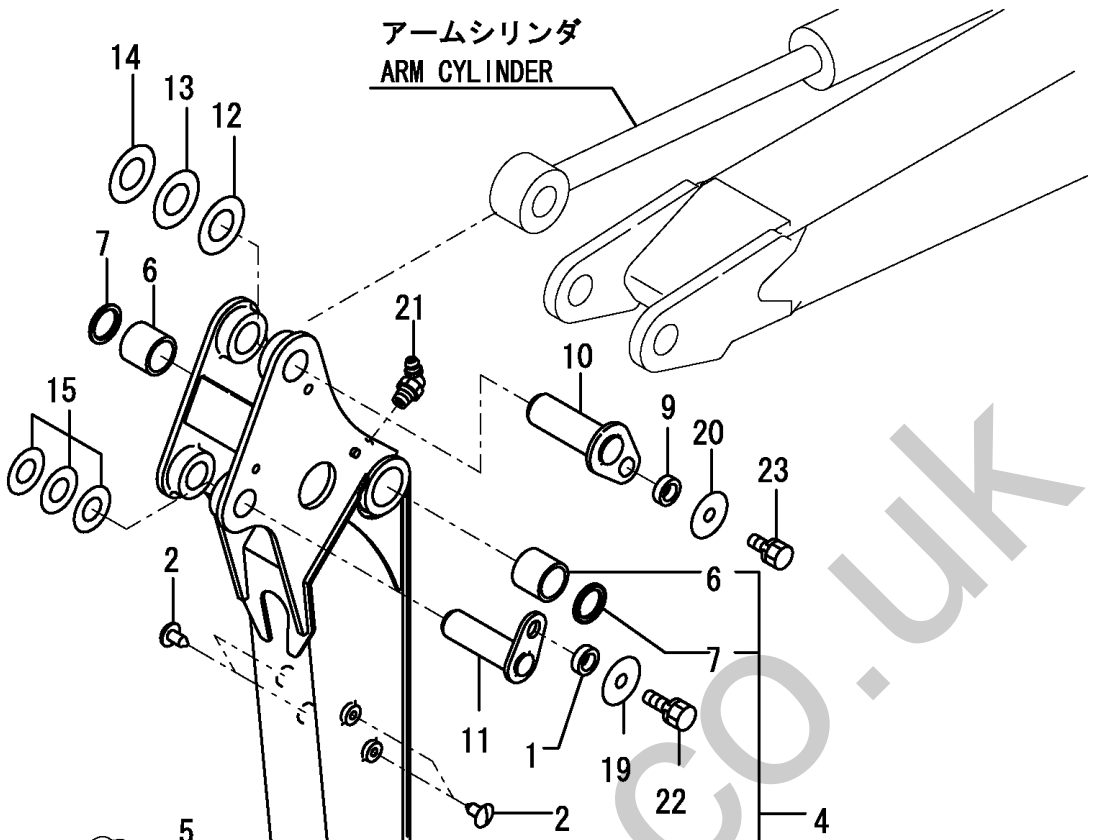
スイングシリンダ  
SWING CYLINDER



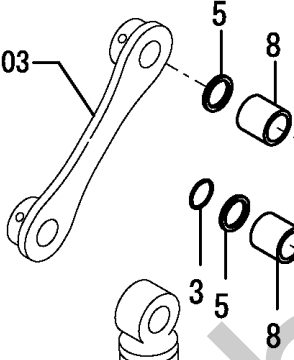
1,1,,172010-01640,,SPACER,1,1,,,,,,,,,,,,,,,,,  
2,1,,172183-81160,,,"TREE CLIP",4,4,,,,,,,,,,,,,  
3,1,,172171-81270,,,"O-RING",2,2,,,,,,,,,,,,,  
4,1,,172456-81500,,,"ARM,950 (GREEN:97)",1,1,,,,,,,,,,,,,  
5,2,,172171-81280,,,"SEAL 35X45X4",,4,,,,,,,,,,,,,  
5-1,2,,172448-81610,,,"SEAL  
35X45X4,DUST",4,4,,,,,R,,,,,72449038,M/#21808,,,,,I  
6,2,,172456-81650,,,"BUSHING 40X50X45",2,2,,,,,,,,,,,,,  
7,2,,172165-81750,,,"SEAL 40X50X5, DUST",,2,,,,,,,,,,,,,  
7-1,2,,172448-72650,,,"SEAL  
40X50X4,DUST",2,2,,,,,R,,,,,72449038,M/#21808,,,,,I  
8,2,,172141-82270,,,"BUSH 35 45",4,4,,,,,,,,,,,,,  
9,1,,172164-81670,,,"SPACER",1,1,,,,,,,,,,,,,  
10,1,,172456-81770,,,"PIN 40X116 ASSY",1,1,,,,,,,,,,,,,  
11,1,,172456-81810,,,"PIN 35X116 ASSY",1,1,,,,,,,,,,,,,  
12,1,,172165-82580,,,"SHIM 40X75X0.5",1,1,,,,,,,,,,,,,  
13,1,,172165-82590,,,"SHIM 40X75X1.2",1,1,,,,,,,,,,,,,  
14,1,,172165-82600,,,"SHIM 40X75X1.6",1,1,,,,,,,,,,,,,  
15,1,,172141-84601,,,"SHIM 35",1,1,,,,,,,,,,,,,  
19,1,,22157-100000,,,"WASHER 10",1,1,,,,,,,,,,,,,  
20,1,,22157-120000,,,"WASHER 12",1,1,,,,,,,,,,,,,  
21,1,,24761-040000,,,"NIPPLE B,GREASE",1,1,,,,,,,,,,,,,  
22,1,,26013-100252,,,"BOLT W/WASHER M10X25",1,1,,,,,,,,,,,,,  
23,1,,26013-120252,,,"BOLT M12X 25",1,1,,,,,,,,,,,,,

Silverhorn.CO.UK

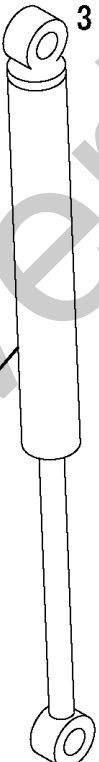
アームシリンダ  
ARM CYLINDER



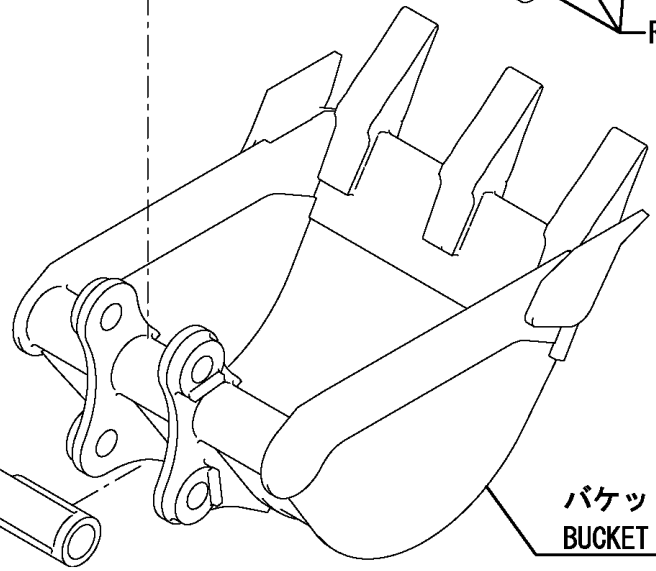
REFER TO Fig. 103



バケットシリンダ  
BUCKET CYLINDER



REFER TO Fig. 103



バケット  
BUCKET

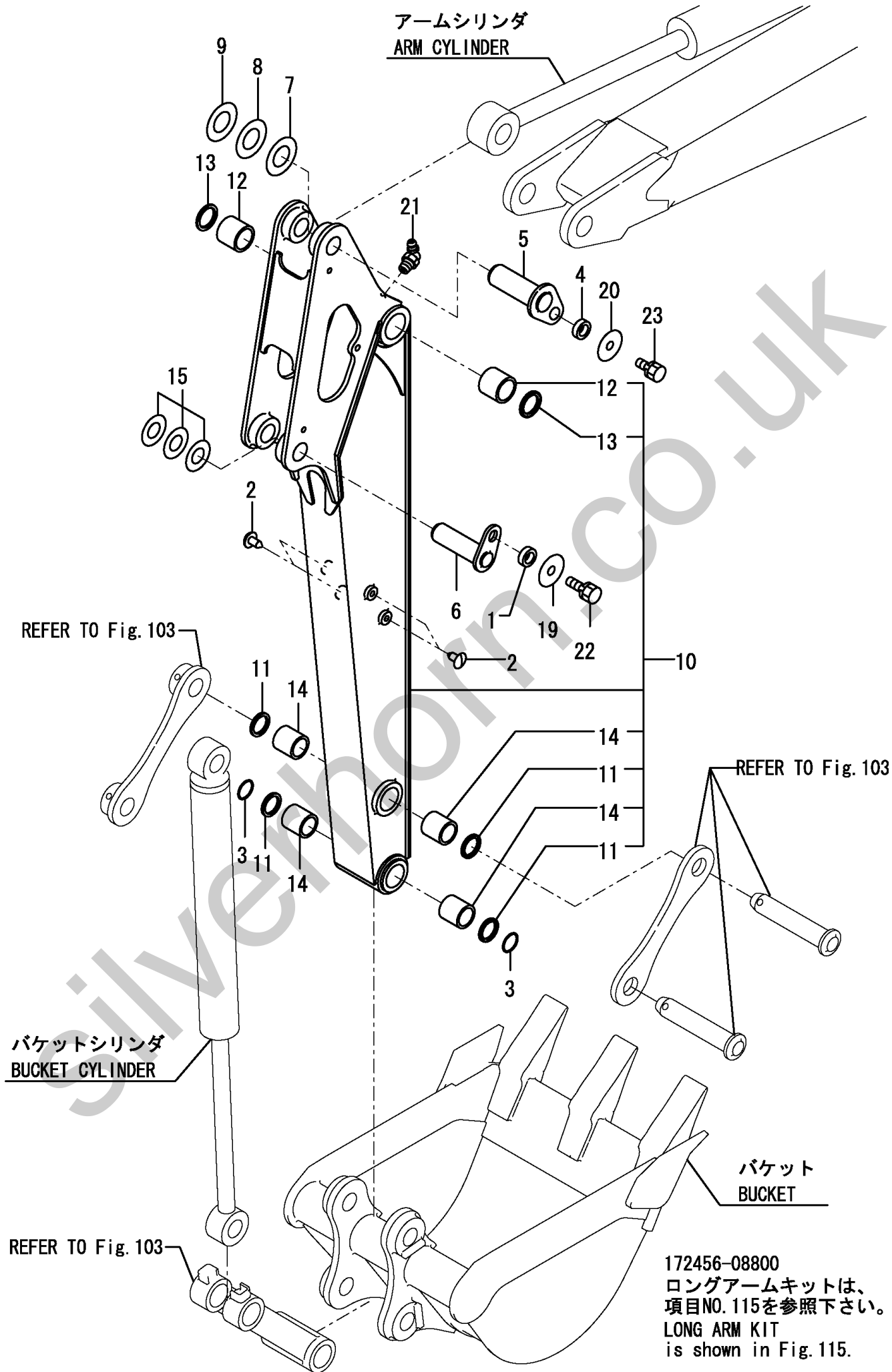
REFER TO Fig. 103

1,1,,172010-01640,,SPACER,,1,,,,,,,,,,,,,,,,,,,,,  
2,1,,172183-81160,,,"TREE CLIP",,4,,,,,,,,,,,,,,,,,,,,,  
3,1,,172171-81270,,,"O-RING",,2,,,,,,,,,,,,,,,,,,,,,  
4,1,,172164-81670,,,"SPACER",,1,,,,,,,,,,,,,,,,,,,,,  
5,1,,172456-81770,,,"PIN 40X116 ASSY",,1,,,,,,,,,,,,,,,,,,,,,  
6,1,,172456-81810,,,"PIN 35X116 ASSY",,1,,,,,,,,,,,,,,,,,,,,,  
7,1,,172165-82580,,,"SHIM 40X75X0.5",,1,,,,,,,,,,,,,,,,,,,,,  
8,1,,172165-82590,,,"SHIM 40X75X1.2",,1,,,,,,,,,,,,,,,,,,,,,  
9,1,,172165-82600,,,"SHIM 40X75X1.6",,1,,,,,,,,,,,,,,,,,,,,,  
10,1,,172456-83200,,,"ARM ,1200 (GREEN:97)",,1,,,,,,,,,,,,,,,,,,,,,  
11,2,,172171-81280,,,"SEAL 35X45X4",,4,,,,,,,,,,,,,,,,,,,,,  
11-1,2,,172448-81610,,,"SEAL  
35X45X4,DUST",,4,,,,,R,,,,72449038,M/#21808,,,,,,I  
12,2,,172456-81650,,,"BUSHING 40X50X45",,2,,,,,,,,,,,,,,,,,,,,,  
13,2,,172165-81750,,,"SEAL 40X50X5, DUST",,2,,,,,,,,,,,,,,,,,,,,,  
13-1,2,,172448-72650,,,"SEAL  
40X50X4,DUST",,2,,,,,R,,,,72449038,M/#21808,,,,,,I  
14,2,,172141-82270,,,"BUSH 35 45",,4,,,,,,,,,,,,,,,,,,,,,  
15,1,,172141-84601,,,"SHIM 35",,1,,,,,,,,,,,,,,,,,,,,,  
19,1,,22157-100000,,,"WASHER 10",,1,,,,,,,,,,,,,,,,,,,,,  
20,1,,22157-120000,,,"WASHER 12",,1,,,,,,,,,,,,,,,,,,,,,  
21,1,,24761-040000,,,"NIPPLE B,GREASE",,1,,,,,,,,,,,,,,,,,,,,,  
22,1,,26013-100252,,,"BOLT W/WASHER M10X25",,1,,,,,,,,,,,,,,,,,,,,,  
23,1,,26013-120252,,,"BOLT M12X 25",,1,,,,,,,,,,,,,,,,,,,,,

Silverhorn.CO.UK



アームシリンダ  
ARM CYLINDER



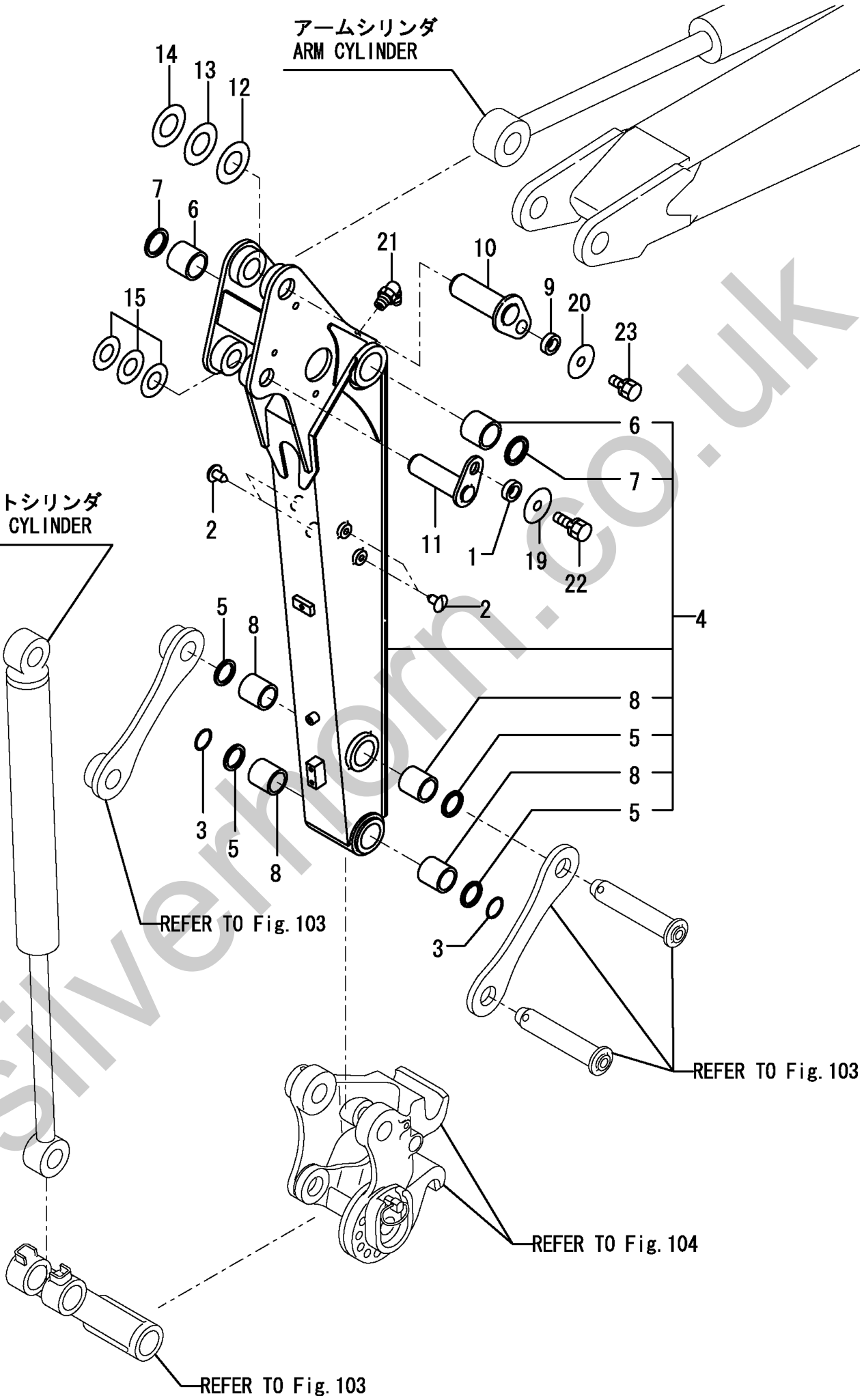
172456-08800  
ロングアームキットは、  
項目NO. 115を参照下さい。  
LONG ARM KIT  
is shown in Fig. 115.

1,1,,172010-01640,,SPACER,1,1,,1,,,,,,,,,,,,,  
2,1,,172183-81160,, "TREE CLIP",4,4,,4,,,,,,,,,,,,,  
3,1,,172171-81270,,O-RING,2,2,,2,,,,,,,,,,,,,  
4,1,,172956-81500,, "ARM ,950 Q(GREEN:97)",1,1,,1,,,,,,,,,,,,,  
5,2,,172171-81280,, "SEAL 35X45X4",,4,,,,,,,,,,,,,  
5-1,2,,172448-81610,, "SEAL  
35X45X4,DUST",4,4,,4,,,R,,,,,72449038,M/#21808,,,,,,,,,I  
6,2,,172456-81650,, "BUSHING 40X50X45",2,2,,2,,,,,,,,,,,,,  
7,2,,172165-81750,, "SEAL 40X50X5, DUST",,2,,,,,,,,,,,,,  
7-1,2,,172448-72650,, "SEAL  
40X50X4,DUST",2,2,,2,,,R,,,,,72449038,M/#21808,,,,,,,,,I  
8,2,,172141-82270,, "BUSH 35 45",4,4,,4,,,,,,,,,,,,,  
9,1,,172164-81670,,SPACER,1,1,,1,,,,,,,,,,,,,  
10,1,,172456-81770,, "PIN 40X116 ASSY",1,1,,1,,,,,,,,,,,,,  
11,1,,172456-81810,, "PIN 35X116 ASSY",1,1,,1,,,,,,,,,,,,,  
12,1,,172165-82580,, "SHIM 40X75X0.5",1,1,,1,,,,,,,,,,,,,  
13,1,,172165-82590,, "SHIM 40X75X1.2",1,1,,1,,,,,,,,,,,,,  
14,1,,172165-82600,, "SHIM 40X75X1.6",1,1,,1,,,,,,,,,,,,,  
15,1,,172141-84601,, "SHIM 35",1,1,,1,,,,,,,,,,,,,  
19,1,,22157-100000,, "WASHER 10",1,1,,1,,,,,,,,,,,,,  
20,1,,22157-120000,, "WASHER 12",1,1,,1,,,,,,,,,,,,,  
21,1,,24761-040000,, "NIPPLE B,GREASE",1,1,,1,,,,,,,,,,,,,  
22,1,,26013-100252,, "BOLT W/WASHER M10X25",1,1,,1,,,,,,,,,,,,,  
23,1,,26013-120252,, "BOLT M12X 25",1,1,,1,,,,,,,,,,,,,



アームシリンダ  
ARM CYLINDER

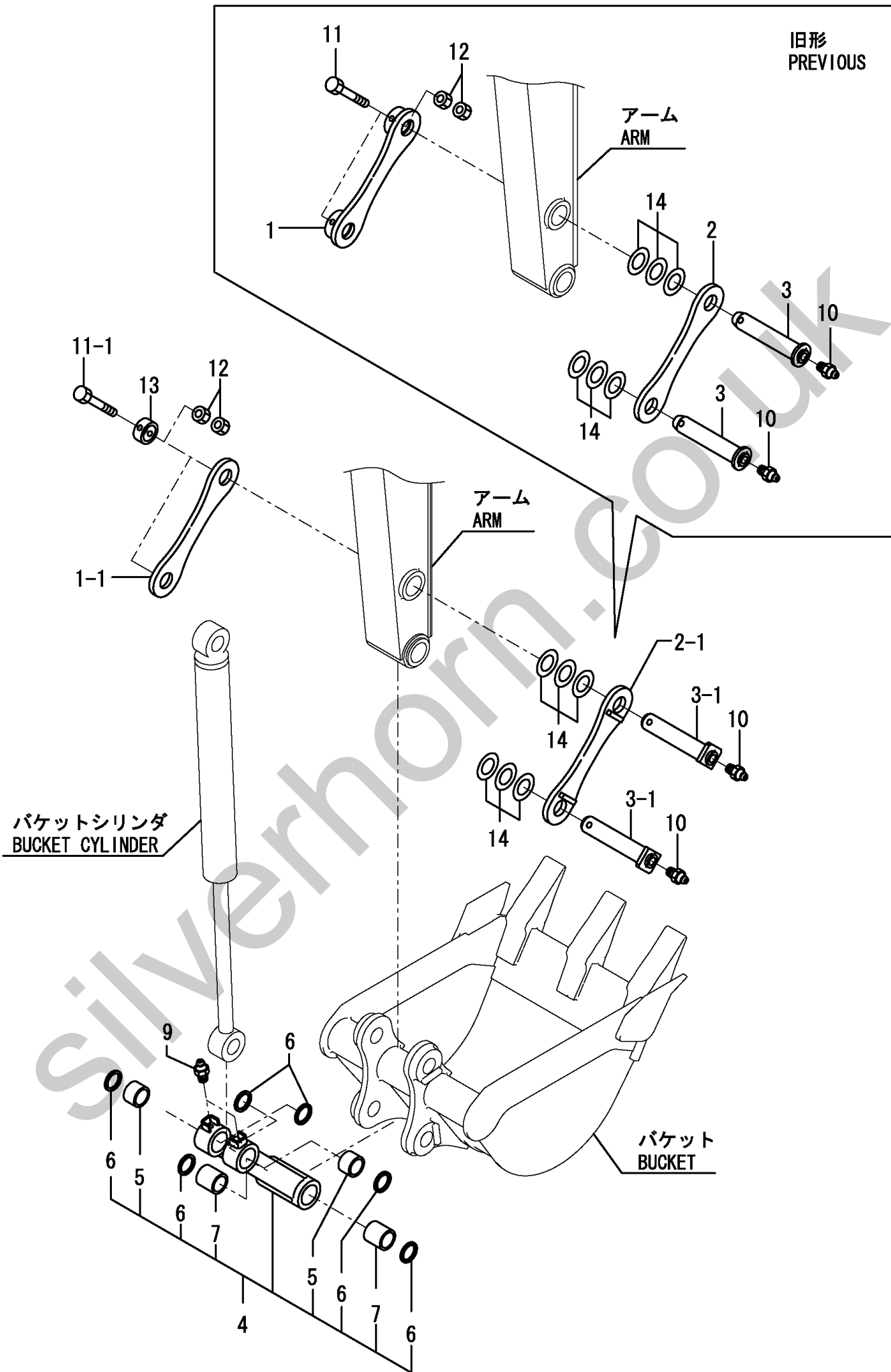
バケットシリンダ  
BUCKET CYLINDER



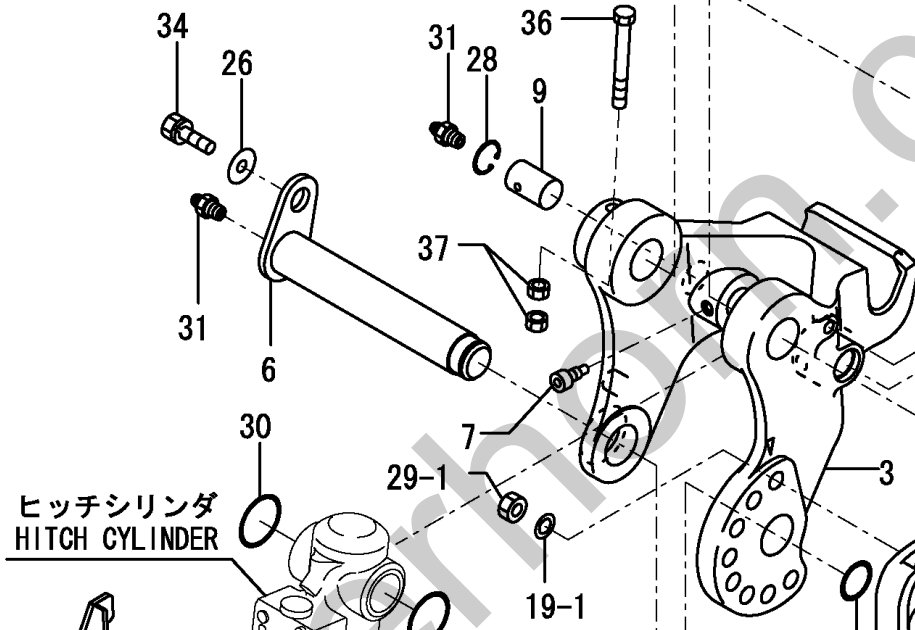
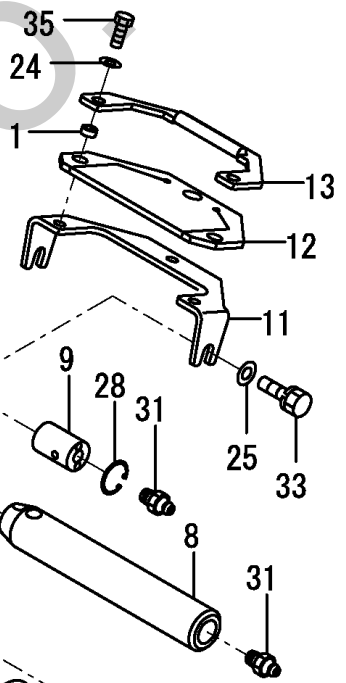
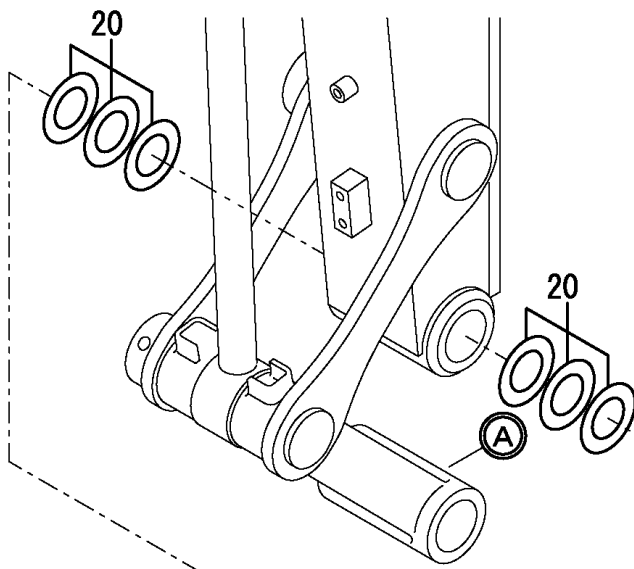
1,1,,172456-82700,, "ARM, BUCKET (GREEN:97)",,1,,,,,,,,,,,,,  
1-1,1,,172456-  
82710,, "ARM, BUCKET (GREEN:97)",,1,1,1,,,S,1,,,72456272,M/#22204,,,,,,,,,I  
2,1,,172456-82710,, "ARM, BUCKET (GREEN:97)",,1,,,,,,,,,,,,,  
2-1,1,,172456-82701,, "ARM ASSY,  
BUCKET(97)",,1,1,1,,,S,1,,,72456272,M/#22204,,,,,,,,,I  
3,1,,172456-82830,, "PIN 35X160 ASSY",,2,,,,,,,,,,,,,  
3-1,1,,172456-82831,, "PIN 35X160  
ASSY",,2,2,2,,,S,1,,,72456272,M/#22204,,,,,,,,,I  
4,1,,172141-84402,, "BUCKET LINK",,1,,,,,,,,,,,,,  
4-1,1,,172141-84403,, "LINK  
ASSY, BUCKET(97)",,1,1,1,,,R,,,,,72456221,M/#21637,,,,,,,,,I  
5,2,,172141-72561,, "BUSH (35-45-30",,2,2,2,,,,,,,,,,,,,  
6,2,,172171-81280,, "SEAL 35X45X4",,6,,,,,,,,,,,,,  
6-1,2,,172448-81610,, "SEAL  
35X45X4,DUST",,6,6,6,,,R,,,,,72456221,M/#21637,,,,,,,,,I  
7,2,,172141-82270,, "BUSH 35 45",,2,2,2,,,,,,,,,,,,,  
9,1,,24761-020000,, "NIPPLE PT1/8,GREASE",,2,2,2,,,,,,,,,,,,,  
10,1,,24761-020000,, "NIPPLE PT1/8,GREASE",,2,2,2,,,,,,,,,,,,,  
11,1,,26116-100752,, "BOLT M10X 75 PLATED",,2,,,,,,,,,,,,,  
11-1,1,,26116-100652,, "BOLT M10X 65  
PLATED",,2,2,2,,,S,1,,,72456272,M/#22204,,,,,,,,,I  
12,1,,26716-100002,, "NUT 10",,4,4,4,,,,,,,,,,,,,  
13,1,,172171-81500,, "COLLAR  
35X48.6X22",,2,2,2,,,W,1,,,72456272,M/#22204,,,,,,,,,I  
14,1,,172141-84601,, "SHIM 35",,2,2,2,,,,,,,,,,,,,

Silverhorn.CO.UK

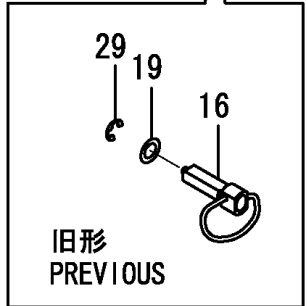
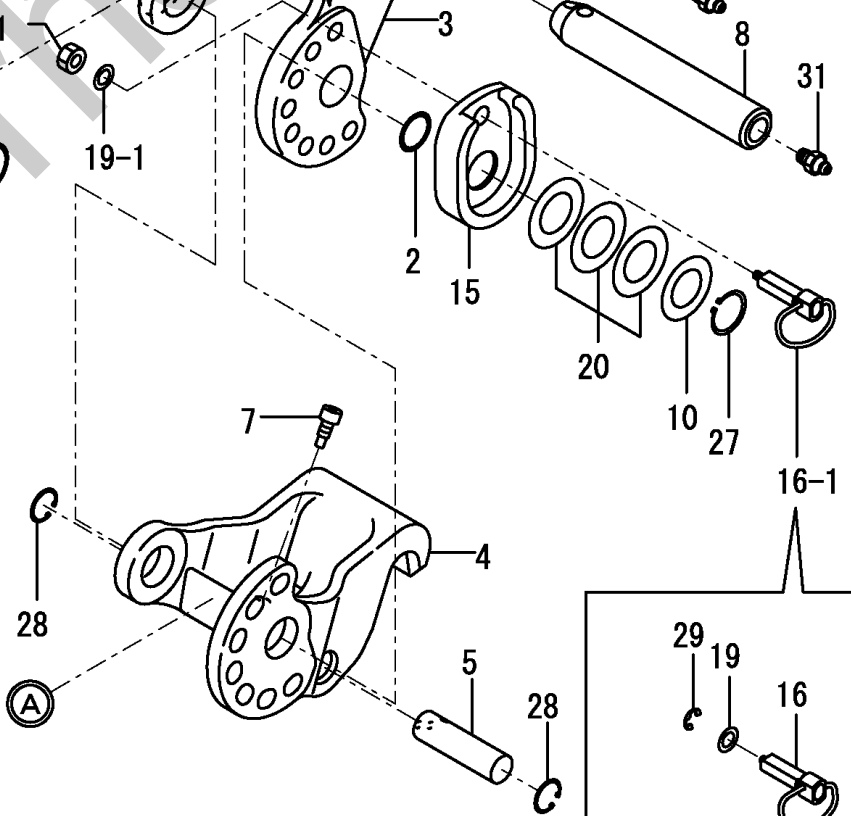
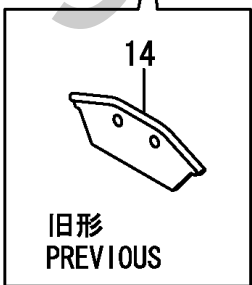
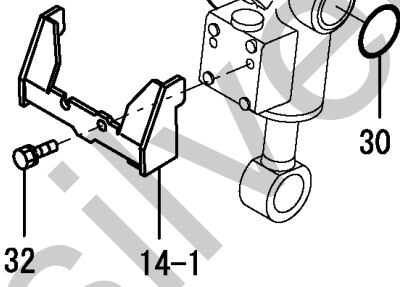
旧形  
PREVIOUS



1,1,,172958-17120,, "COLLER 9X4",,2,,,,,,,,,,,,,,,,,,,,,  
1-1,1,,172958-17120,, "COLLER 9X4",3,3,3,,K,,,,,72956024,M/#21004,,,,,,  
2,1,,172124-46200,, "O-RING 27X5.7",1,1,1,,,,,,,,,,,,,,,,,,,,,  
3,1,,172956-83100,, "BRACKET A (GREEN:97)",,1,,,,,,,,,,,,,,,,,,,,,  
3-1,1,,172956-83101,, "BRACKET A (GREEN:97)",,1,,,,,N,,,,,72956023,M/#20945,,,,,,  
3-2,1,,172956-83102,, "BRACKET A  
(GREEN:97)",,1,1,1,,,,,N,,,,,729580072,M/#25825,,,,,,I  
4,1,,172956-83110,, "BRACKET B (GREEN:97)",,1,,,,,,,,,,,,,,,,,,,,,  
4-1,1,,172956-83111,, "BRACKET B (GREEN:97)",,1,,,,,N,,,,,72956023,M/#20945,,,,,,  
4-2,1,,172956-83112,, "BRACKET B  
(GREEN:97)",,1,1,1,,,,,N,,,,,729580072,M/#25825,,,,,,I  
5,1,,172958-83130,, "PIN 25X86",1,1,1,,,,,,,,,,,,,,,,,,,,,  
6,1,,172956-83140,, "PIN ASSY 35X213.5",1,1,1,,,,,,,,,,,,,,,,,,,,,  
7,1,,172958-83140,, BOLT,3,3,3,,,,,,,,,,,,,,,,,,,,,  
8,1,,172956-83160,, "PIN 35X218",1,1,1,,,,,,,,,,,,,,,,,,,,,  
9,1,,172956-83200,, "PIN 25-38",2,2,2,,,,,,,,,,,,,,,,,,,,,  
10,1,,172956-83220,, "COLLAR 32.5X55X2.3",,1,,,,,,,,,,,,,,,,,,,,,  
10-1,1,,172956-83221,, "COLLAR  
32.5X55X1.2",,1,1,1,,,,,N,,,,,72960024,M/#20980,,,,,,  
11,1,,172956-83250,, "GUARD (GREEN:97)",,1,,,,,,,,,,,,,,,,,,,,,  
11-1,1,,172956-83251,, "GUARD ASSY",,1,,,,,N,,,,,72958058,M/#20945,,,,,,  
11-2,1,,172956-83252,, "GUARD ASSY",1,1,1,,,,,N,,,,,72956024,M/#21004,,,,,,  
12,1,,172956-83280,, "PLATE, RUBBER",,1,,,,,,,,,,,,,,,,,,,,,  
12-1,1,,172956-83281,, "PLATE, RUBBER",1,1,1,,,,,N,,,,,72956024,M/#21004,,,,,,  
13,1,,172956-83290,, "PLATE (GREEN:97)",,1,,,,,,,,,,,,,,,,,,,,,  
13-1,1,,172956-83291,, "PLATE ASSY",,1,,,,,N,,,,,72956024,M/#21004,,,,,,  
14,1,,172956-83310,, "COVER (GREEN:97)",,1,,,,,,,,,,,,,,,,,,,,,  
14-1,1,,172958-  
83291,, "PLATE, GUARD (GREEN:97)",,1,1,1,,,,,N,,,,,72956024,M/#21004,,,,,,  
15,1,,172956-83350,, "PLATE, LOCK (GREEN:97)",,1,1,1,,,,,,,,,,,,,,,,,,,,,  
16,1,,172956-83360,, "PIN ASSY, LOCK",,1,,,,,,,,,,,,,,,,,,,,,  
16-1,1,,172956-83361,, "PIN ASSY, LOCK",1,1,1,,,,,S,1,,72960025,M/#20881,,,,,,  
19,1,,172956-83380,, "WASHER 8.4X14X1.5",,1,,,,,,,,,,,,,,,,,,,,,  
19-1,1,,172956-83381,, "WASHER  
6.4X14X1.5",,1,1,1,,,,,S,1,,72960025,M/#20881,,,,,,  
20,1,,172141-84601,, "SHIM 35",3,3,3,,,,,,,,,,,,,,,,,,,,,  
24,1,,22137-080000,, "WASHER 8, POLISHED",,2,,,,,,,,,,,,,,,,,,,,,  
24-1,1,,22137-080000,, "WASHER 8,  
POLISHED",3,3,3,,K,,,,,72956024,M/#21004,,,,,,  
25,1,,22137-100000,, "WASHER 10, POLISHED",2,2,2,,,,,,,,,,,,,,,,,,,,,  
26,1,,22157-100000,, "WASHER 10",1,1,1,,,,,,,,,,,,,,,,,,,,,  
27,1,,22242-000320,, "CIRCLIP 32",1,1,1,,,,,,,,,,,,,,,,,,,,,  
28,1,,22252-000250,, "CIRCLIP 25",4,4,4,,,,,,,,,,,,,,,,,,,,,  
29,1,,22273-000060,, "CIRCLIP E- 6",,1,,,,,,,,,,,,,,,,,,,,,  
29-1,1,,26756-060002,, "LOCK NUT 6",1,1,1,,,,,S,1,,72960025,M/#20881,,,,,,  
30,1,,24311-000400,, "O-RING 1A P-40.0",2,2,2,,,,,,,,,,,,,,,,,,,,,  
31,1,,24761-020000,, "NIPPLE PT1/8, GREASE",4,4,4,,,,,,,,,,,,,,,,,,,,,  
32,1,,26013-080162,, "BOLT W/WASHER M8X16",2,2,2,,,,,,,,,,,,,,,,,,,,,  
33,1,,26013-100202,, "BOLT W/WASHER M10X20",2,2,2,,,,,,,,,,,,,,,,,,,,,  
34,1,,26013-100252,, "BOLT W/WASHER M10X25",1,1,1,,,,,,,,,,,,,,,,,,,,,  
35,1,,26116-080202,, "BOLT M 8X 20 PLATED",,2,,,,,,,,,,,,,,,,,,,,,  
35-1,1,,26116-080202,, "BOLT M 8X 20  
PLATED",3,3,3,,K,,,,,72956024,M/#21004,,,,,,  
36,1,,26116-100802,, "BOLT M10X 80 PLATED",1,1,1,,,,,,,,,,,,,,,,,,,,,  
37,1,,26716-100002,, "NUT 10",2,2,2,,,,,,,,,,,,,,,,,,,,,



ヒッチシリンダ  
HITCH CYLINDER



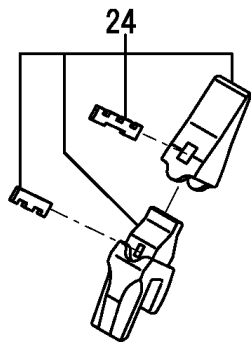
1,1,,172456-82900,, "PIN KIT, BUCKET",2,2,2,2,2,,,1,,,,,,,,,,,,,  
2,2,,172171-81500,, "COLLAR 35X48.6X22",2,2,2,2,2,,,,,,,,,,,,,  
3,2,,172141-84601,, "SHIM 35",2,2,2,2,2,,,,,,,,,,,,,  
7,2,,172141-86252-1,, "PIN 35-195",2,2,2,2,2,,,,,,,,,,,,,  
8,2,,24761-020000,, "NIPPLE PT1/8,GREASE",2,2,2,2,2,,,,,,,,,,,,,  
9,2,,26116-100652,, "BOLT M10X 65 PLATED",2,2,2,2,2,,,,,,,,,,,,,  
10,2,,26716-100002,, "NUT 10",4,4,4,4,4,,,,,,,,,,,,,  
11A,1,,172456-82100,, "BUCKET,290S(GREEN:97)",1,,,,,2,,,,,,,,,,,,,  
11A-1,1,,172456-82101,, "BUCKET(290S)  
(97)",1,,,,,R,2,72456220,M/#21637,,,,,,,,,,,,,I  
11B,1,,172456-82170,, "BUCKET,340S(GREEN:97)",1,,,,,2,,,,,,,,,,,,,  
11B-1,1,,172456-82171,, "BUCKET(340S)  
(97)",1,,,,,R,2,,72456220,M/#21637,,,,,,,,,,,,,I  
11C,1,,172456-82240,, "BUCKET,390S(GREEN:97)",1,,,,,2,,,,,,,,,,,,,  
11C-1,1,,172456-82241,, "BUCKET(390S)  
(97)",1,,,,,R,2,,,,,72456220,M/#21637,,,,,,,,,,,,,I  
11D,1,,172456-82420,, "BUCKET,440S(GREEN:97)",1,,,,,2,,,,,,,,,,,,,  
11D-1,1,,172456-82421,, "BUCKET(440S)  
(97)",1,,,,,R,2,,,,,72456220,M/#21637,,,,,,,,,,,,,I  
11E,1,,172456-82500,, "BUCKET,490S(GREEN:97)",1,,,,,1,,,,,,,,,,,,,  
11E-1,1,,172456-82501,, "BUCKET(490S)  
(97)",1,,,,,R,1,,,,,72456220,M/#21637,,,,,I  
12,2,,172458-82240,, "CUTTER L (GREEN:97)",1,1,1,1,1,,,,,,,,,,,,,  
13,2,,172458-82260,, "CUTTER R (GREEN:97)",1,1,1,1,1,,,,,,,,,,,,,  
14,2,,172458-82280,, "BOLT M14X 40",6,6,6,6,6,,,,,,,,,,,,,  
15,2,,172458-82290,, "NUT 14",6,6,6,6,6,,,,,,,,,,,,,  
17,3,,172458-82230,, ADAPTER,2,3,3,3,3,,,,,,,,,,,,,  
17-1,3,,172448-82530,, "ADAPTER  
16(GREEN:97)",2,3,3,3,3,,N,,72456220,M/#21637,72456220,M/#21637,72456220,M/#2163  
7,72456220,M/#21637,72456220,M/#21637,,,,,I  
18,2,,22217-140000,, "SPRING WASHER 14",6,6,6,6,6,,,,,,,,,,,,,  
19,2,,172165-86500,, "TOOTH KIT, POINT",2,3,3,3,3,,,,,,,,,,,,,  
19-1,2,,172448-82950-1,, "TOOTH KIT,  
POINT(97)",2,3,3,3,3,,R,,72456220,M/#21637,72456220,M/#21637,72456220,M/#21637,7  
2456220,M/#21637,72456220,M/#21637,,,,,I  
20,3,,172151-81600-4,, "POINT,TOOTH 18S (97)",2,3,3,3,3,,,,,,,,,,,,,  
20-1,3,,172448-82570,, "POINT,TOOTH 18S  
(97)",2,3,3,3,3,,R,,72456220,M/#21637,72456220,M/#21637,72456220,M/#21637,724562  
20,M/#21637,72456220,M/#21637,,,,,I  
21,3,,172151-81620,, "PIN ASSY, LOCK",2,3,3,3,3,,,,,,,,,,,,,  
21-1,3,,172448-82960,, "PIN ASSY,  
LOCK",2,3,3,3,3,,R,,72456220,M/#21637,72456220,M/#21637,72456220,M/#21637,724562  
20,M/#21637,72456220,M/#21637,,,,,I  
22,4,,172151-81630,, PIN,2,3,3,3,3,,,,,,,,,,,,,  
22-1,4,,172448-  
82580,, "PIN,LOCK",2,3,3,3,3,,R,,72456220,M/#21637,72456220,M/#21637,72456220,M/#  
21637,72456220,M/#21637,72456220,M/#21637,,,,,I  
23,4,,172151-81640,, "LOCK,RUBBER BIN",2,3,3,3,3,,,,,,,,,,,,,  
23-1,4,,172448-  
82590,, "RUBBER,PIN",2,3,3,3,3,,R,,72456220,M/#21637,72456220,M/#21637,72456220,M  
/#21637,72456220,M/#21637,72456220,M/#21637,,,,,I  
24,1,,772458-82230,, "TOOH ASSY (GREEN:97)",2,3,3,3,3,,,3,,,,,,,,,,,,,  
24-1,1,,772448-82530,, "TOOTH  
ASSY(GREEN:97)",2,3,3,3,3,,R,3,72456220,M/#21637,72456220,M/#21637,72456220,M/#2  
1637,72456220,M/#21637,72456220,M/#21637,,,,,I  
25,1,,172956-81600,, "PIN KIT,BUCKET(QUICK",1,1,1,1,1,,,4,,,,,,,,,,,,,  
26,2,,172171-81500,, "COLLAR 35X48.6X22",2,2,2,2,2,,,,,,,,,,,,,  
27,2,,172956-83120,, "PIN 35-195 ASSY",2,2,2,2,2,,,,,,,,,,,,,  
28,2,,172141-84601,, "SHIM 35",2,2,2,2,2,,,,,,,,,,,,,  
32,2,,26116-100652,, "BOLT M10X 65 PLATED",2,2,2,2,2,,,,,,,,,,,,,  
33,2,,26716-100002,, "NUT 10",4,4,4,4,4,,,,,,,,,,,,,  
34,1,,172956-08120,, "BUCKET PIN KIT Q30",1,1,1,1,1,,,4,,,,,,,,,,,,,  
36,1,,172956-08130,, "BOLT KIT 10X85",1,1,1,1,1,,,4,,,,,,,,,,,,,



37,2,,26116-100852,, "BOLT M10X 85 PLATED",1,1,1,1,1,,,,,,,,,,,,,  
38,2,,26716-100002,, "NUT 10",2,2,2,2,2,,,,,,,,,,,,,  
39,1,,172956-08140,, "BOLT KIT 10X60",1,1,1,1,1,,,4,,,,,,,,,,,,,  
40,2,,172149-83220,, "COLLAR 30X42.7X22",1,1,1,1,1,,,,,,,,,,,,,  
41,2,,26116-100602,, "BOLT M10X 60 PLATED",1,1,1,1,1,,,,,,,,,,,,,  
42,2,,26716-100002,, "NUT 10",2,2,2,2,2,,,,,,,,,,,,,  
43,1,,172142-86500,, "KIT,SIDE CUTTER  
(97)",1,1,1,1,1,,W,3,24580553,M/#20501,24580553,M/#20501,24580  
553,M/#20501,24580553,M/#20501,,,I  
44,2,,172142-86510-4,, "CUTTER(L),SIDE (97)",1,1,1,1,1,,,,,,,,,,,,,I  
45,2,,172142-86520-4,, "CUTTER(R),SIDE (97)",1,1,1,1,1,,,,,,,,,,,,,I  
46,2,,172142-86540,, "BOLT M14X 30",6,6,6,6,6,,,,,,,,,,,,,I  
47,2,,22217-140000,, "SPRING WASHER 14",6,6,6,6,6,,,,,,,,,,,,,I

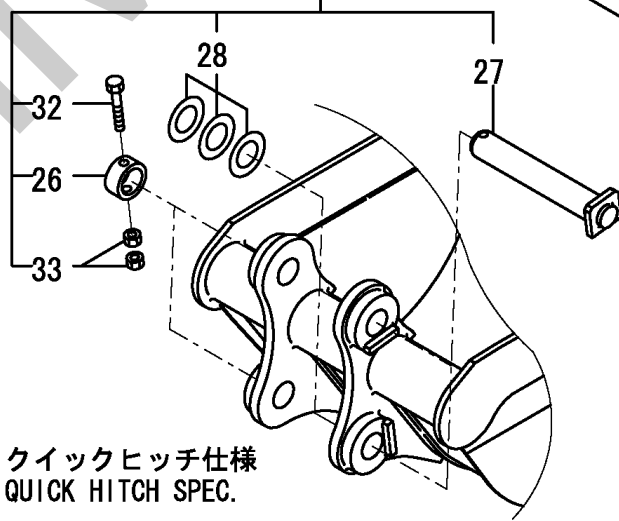
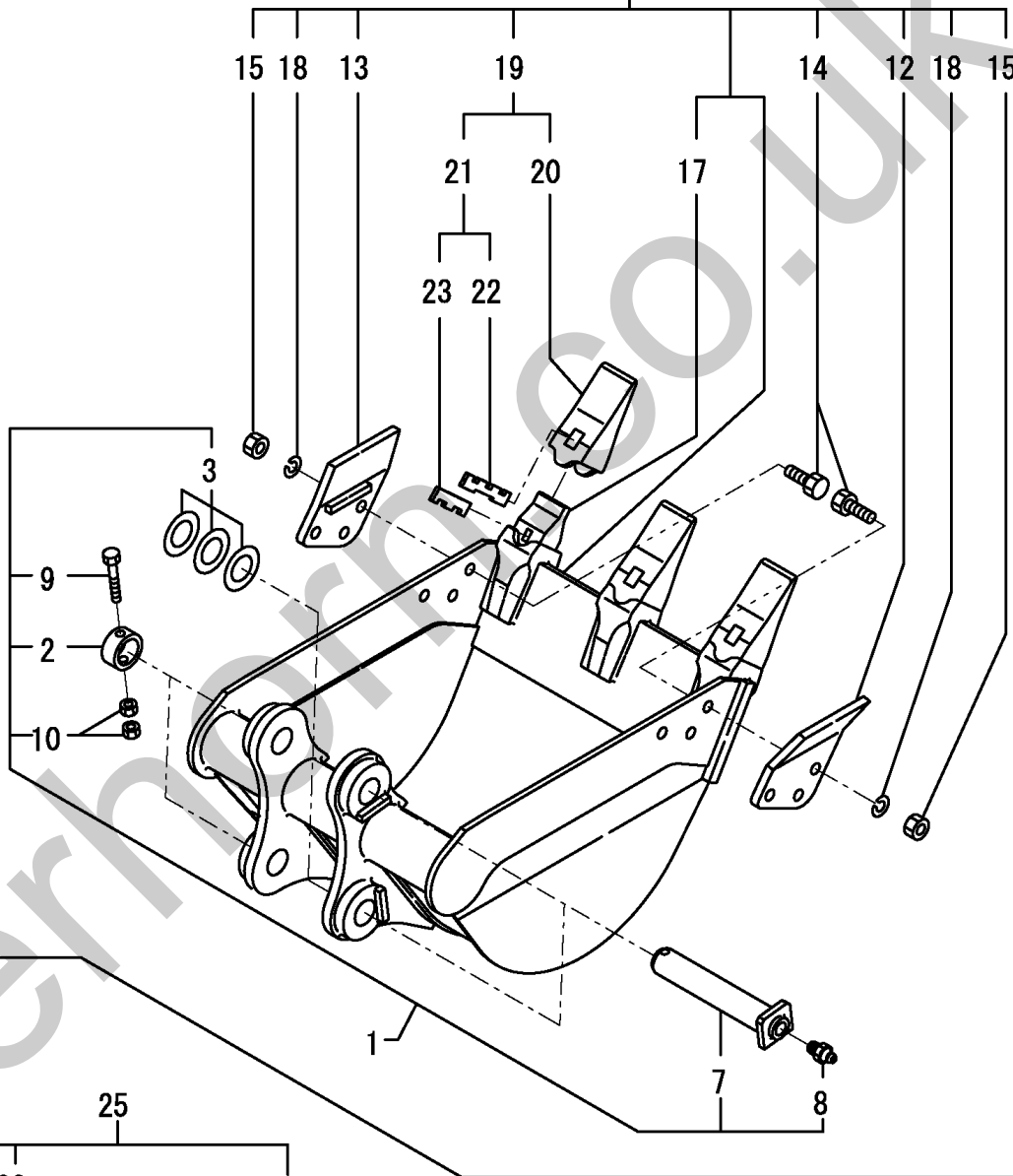
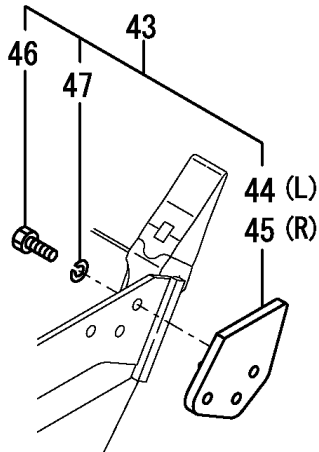
Silverhorn.CO.UK

補用品  
REPAIR PARTS

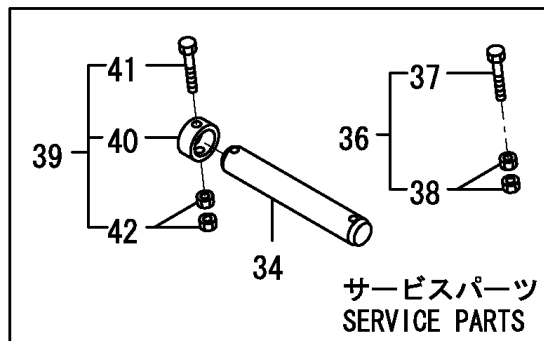


- 11A (290S) (アタッチメント. ATTACHMENT)
- 11B (340S) (アタッチメント. ATTACHMENT)
- 11C (390S) (アタッチメント. ATTACHMENT)
- 11D (440S) (アタッチメント. ATTACHMENT)
- 11E (490S) (標準. STANDARD)

補用品  
REPAIR PARTS



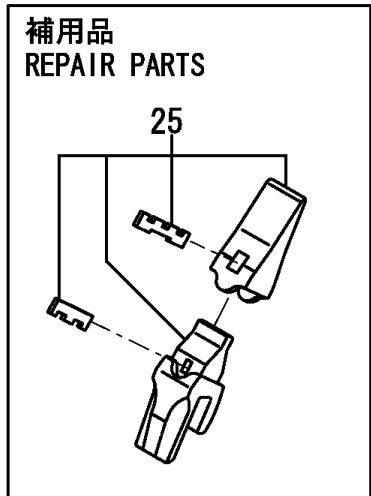
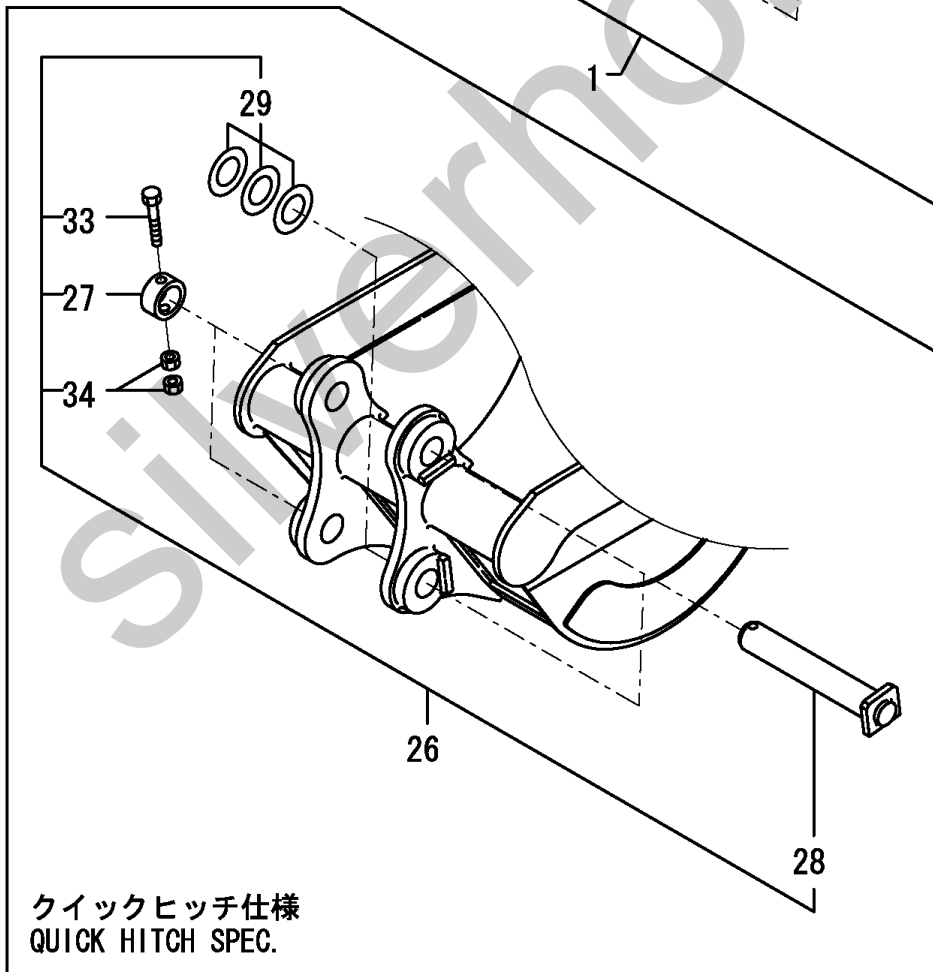
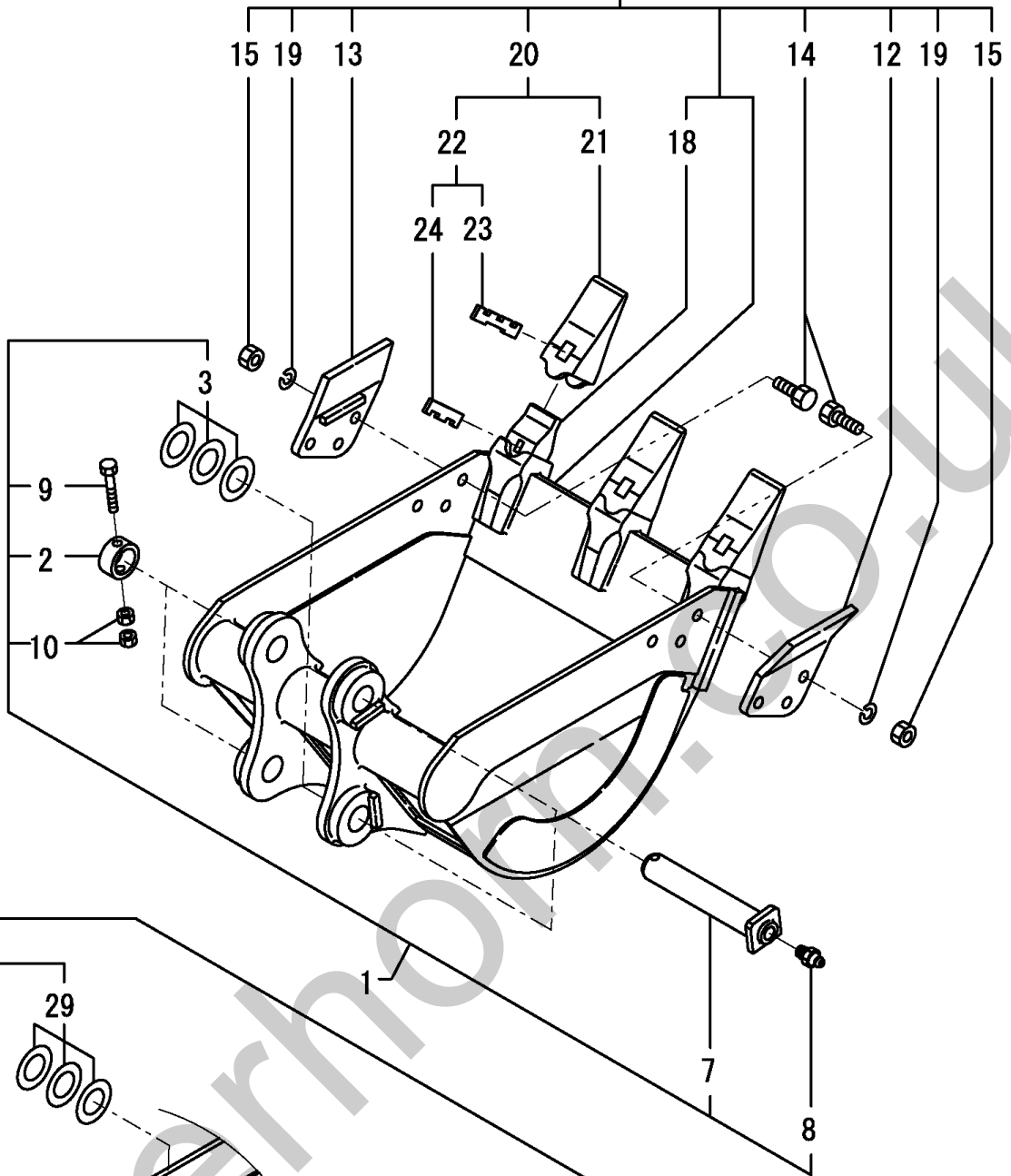
クイックヒッチ仕様  
QUICK HITCH SPEC.



サービスパーツ  
SERVICE PARTS

1,1,,172456-82900,, "PIN KIT, BUCKET",2,,,,,,,,1,,,,,,,,,  
2,2,,172171-81500,, "COLLAR 35X48.6X22",2,,,,,,,,,  
3,2,,172141-84601,, "SHIM 35",2,,,,,,,,,  
7,2,,172141-86252-1,, "PIN 35-195",2,,,,,,,,,  
8,2,,24761-020000,, "NIPPLE PT1/8,GREASE",2,,,,,,,,,  
9,2,,26116-100652,, "BOLT M10X 65 PLATED",2,,,,,,,,,  
10,2,,26716-100002,, "NUT 10",4,,,,,,,,,  
11,1,,172456-82750,, "BUCKET,H490S(GREEN97)",1,,,,,,,,,  
12,2,,172458-82240,, "CUTTER L (GREEN:97)",1,,,,,,,,,  
13,2,,172458-82260,, "CUTTER R (GREEN:97)",1,,,,,,,,,  
14,2,,172458-82280,, "BOLT M14X 40",6,,,,,,,,,  
15,2,,172458-82290,, "NUT 14",6,,,,,,,,,  
18,4,,172458-82230,, ADAPTER,3,,,,,,,,,  
19,2,,22217-140000,, "SPRING WASHER 14",6,,,,,,,,,  
20,2,,172165-86500,, "TOOTH KIT, POINT",3,,,,,,,,,  
21,3,,172151-81600-4,, "POINT,TOOTH 18S (97)",3,,,,,,,,,  
22,3,,172151-81620,, "PIN ASSY, LOCK",3,,,,,,,,,724580567,,724580567,,,,,,,,,I  
23,4,,172151-81630,, PIN,3,,,,,,,,,  
24,4,,172151-81640,, "LOCK,RUBBER BIN",3,,,,,,,,,  
25,1,,772458-82230,, "TOOH ASSY (GREEN:97)",3,,,,,,,,,2,,,,,,,,,  
26,1,,172956-81600,, "PIN KIT,BUCKET(QUICK",1,,,,,,,,,3,,,,,,,,,  
27,2,,172171-81500,, "COLLAR 35X48.6X22",2,,,,,,,,,  
28,2,,172956-83120,, "PIN 35-195 ASSY",2,,,,,,,,,  
29,2,,172141-84601,, "SHIM 35",2,,,,,,,,,  
33,2,,26116-100652,, "BOLT M10X 65 PLATED",2,,,,,,,,,  
34,2,,26716-100002,, "NUT 10",4,,,,,,,,,

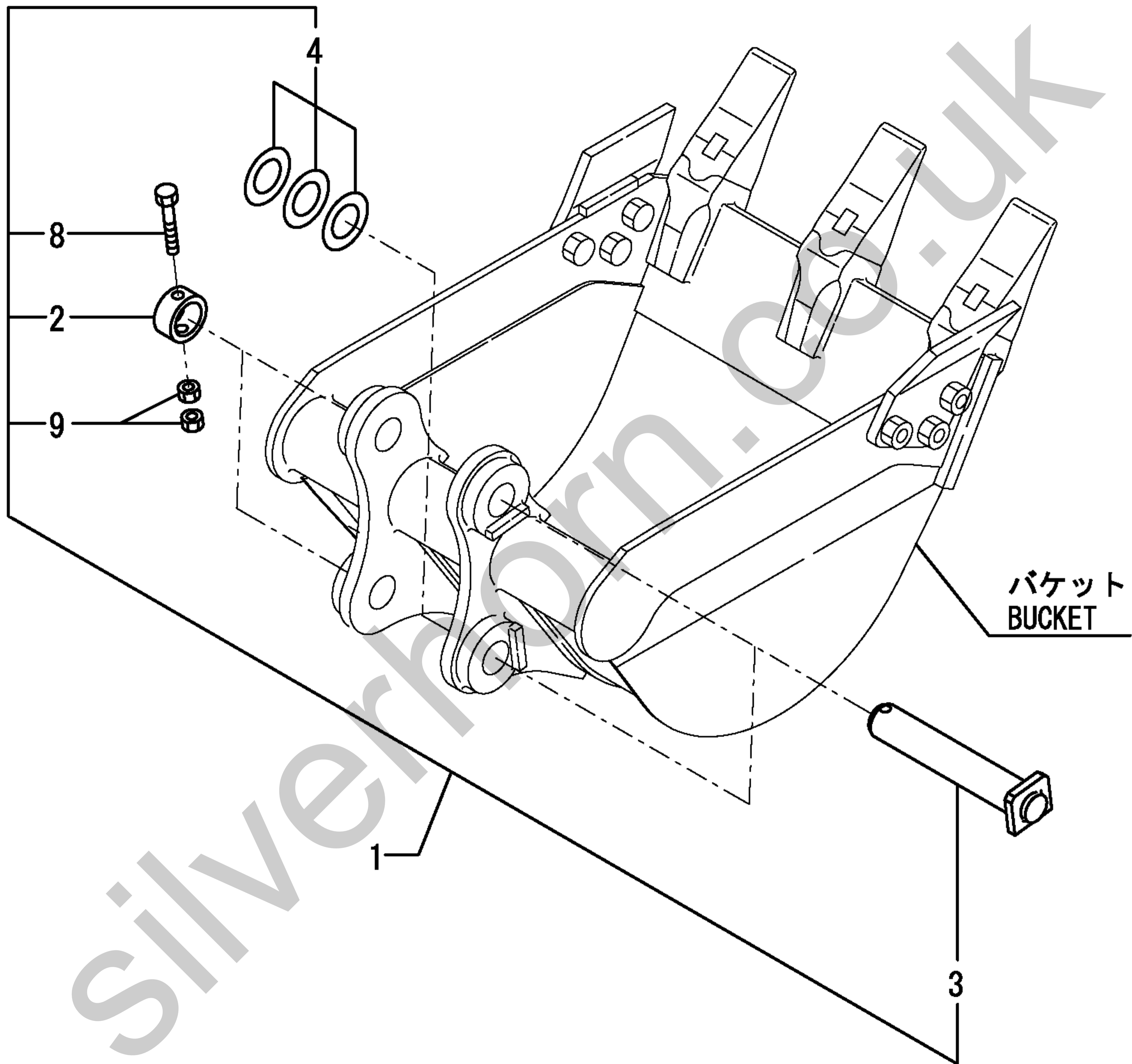
Silverhorn.CO.UK



クイックヒッチ仕様  
QUICK HITCH SPEC.

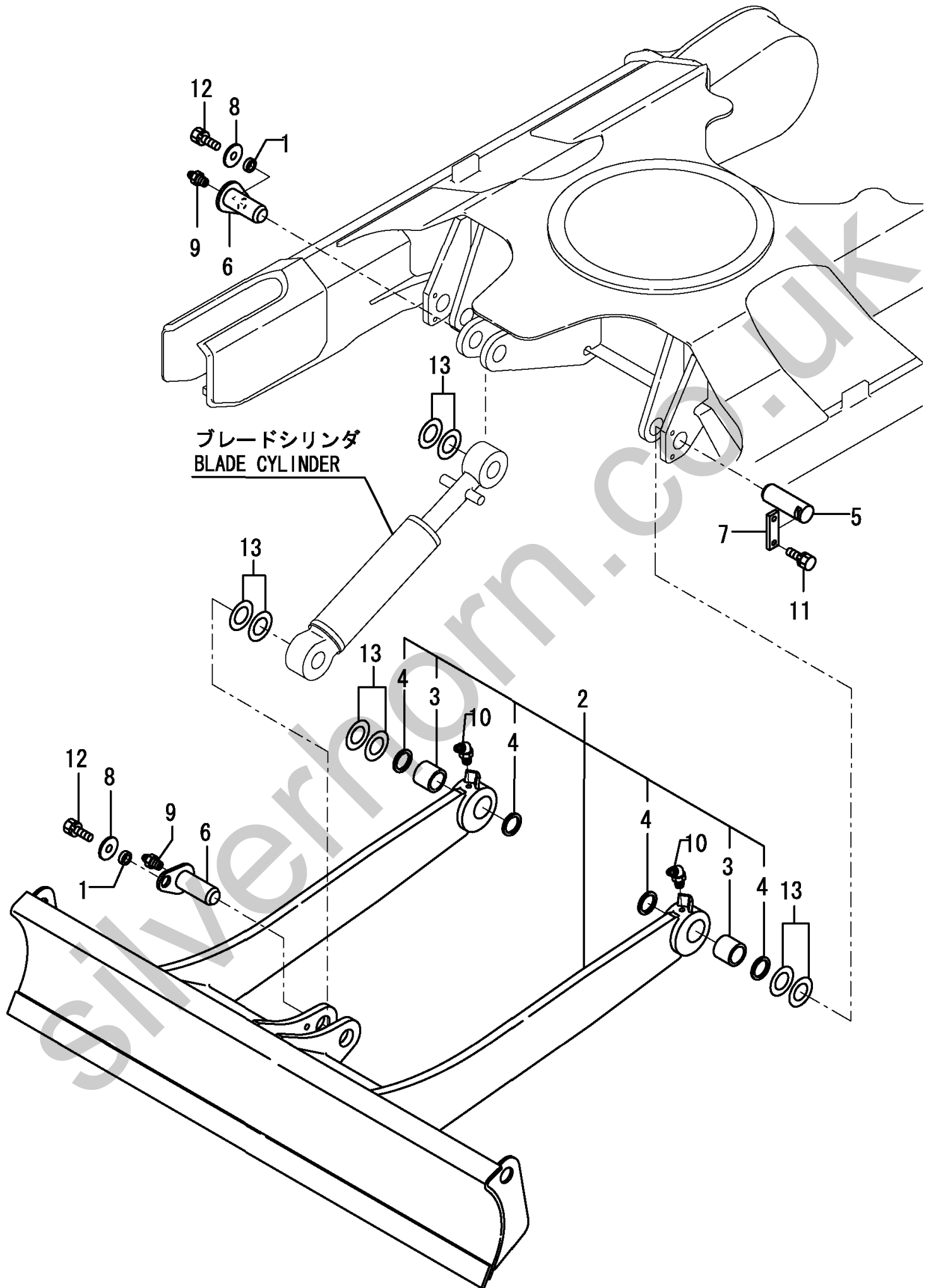
1,1,,172956-81600,, "PIN KIT,BUCKET(QUICK" ,,,,1,,,,,,,,,,,,,,,,,,,,,I  
2,1,,172171-81500,, "COLLAR 35X48.6X22" ,,,,2,,,,,,,,,,,,,,,,,,,,,I  
3,1,,172956-83120,, "PIN 35-195 ASSY" ,,,,2,,,,,,,,,,,,,,,,,,,,,I  
4,1,,172141-84601,, "SHIM 35" ,,,,2,,,,,,,,,,,,,,,,,,,,,I  
8,1,,26116-100652,, "BOLT M10X 65 PLATED" ,,,,2,,,,,,,,,,,,,,,,,,,,,I  
9,1,,26716-100002,, "NUT 10" ,,,,4,,,,,,,,,,,,,,,,,,,,,I

Silverhorn.CO.UK



1,1,,172164-81670,,SPACER,2,2,,2,,,,,,,,,,,,,,,,,,,,,  
2,1,,172456-94100,,,"BLADE (GREEN:88)",,1,,,,,,,,,,,,,,,,,,,,,  
2-1,1,,172456-94101,,,"BLADE  
ASSY(GREEN:88)",,1,1,,1,,R,,,,,72456217,M/#21637,,,,,,,,,,,,,I  
3,2,,172168-72240,,,"BUSH 38X50X40",,2,2,,2,,,,,,,,,,,,,,,,,,,,,  
4,2,,172168-81270,,,"SEAL,DUST 38X50X4",,4,4,,4,,,,,,,,,,,,,,,,,,,,,  
5,1,,172422-94210,,,"PIN 38X 114",,2,2,,2,,,,,,,,,,,,,,,,,,,,,  
6,1,,172141-94271,,,"PIN 38-94",,2,2,,2,,,,,,,,,,,,,,,,,,,,,  
7,1,,172124-94310,,,"PLATE, LOCK",,2,2,,2,,,,,,,,,,,,,,,,,,,,,  
8,1,,22157-120000,,,"WASHER 12",,2,2,,2,,,,,,,,,,,,,,,,,,,,,  
9,1,,24761-020000,,,"NIPPLE PT1/8,GREASE",,2,2,,2,,,,,,,,,,,,,,,,,,,,,  
10,1,,24761-040000,,,"NIPPLE B,GREASE",,2,2,,2,,,,,,,,,,,,,,,,,,,,,  
11,1,,26013-100252,,,"BOLT W/WASHER M10X25",,4,4,,4,,,,,,,,,,,,,,,,,,,,,  
12,1,,26013-120302,,,"BOLT W/WASHER M12X30",,2,2,,2,,,,,,,,,,,,,,,,,,,,,  
13,1,,933171-29751,,,"SHIM SET,38X(0.8,1.2)",,4,4,,4,,,,,,,,,,,,,,,,,,,,,

Silverhorn.CO.UK





1,1,,172456-08200,, "DECEL. KIT",1,1,,,,,1,,,,,,,,,,,,,I  
2,2,,172456-12100,, "CABEL, ACCEL. OD",1,1,,,,,,,,,,,,,I  
3,2,,172164-12160,, "LINK B CMP",1,1,,,,,,,,,,,,,I  
5,3,,24550-014200,, "BUSH 14X20",1,1,,,,,,,,,,,,,I  
6,2,,172164-12200,, "SHAFT CMP",1,1,,,,,,,,,,,,,I  
7,2,,172456-12200,, "BASE ASSY",1,1,,,,,,,,,,,,,I  
9,3,,24550-014200,, "BUSH 14X20",1,1,,,,,,,,,,,,,I  
10,2,,172175-12230,, "LINK A",1,1,,,,,,,,,,,,,I  
11,2,,172175-12350,, "SPRING, RETURN",1,1,,,,,,,,,,,,,I  
12,2,,172175-12360,, "CABLE, ACCELERATOR",1,1,,,,,,,,,,,,,I  
13,2,,172175-12370,, "PLATE",1,1,,,,,,,,,,,,,I  
14,2,,172456-14660,, "BRACKET",1,1,,,,,,,,,,,,,I  
15,2,,172137-16560,, "BAND",1,1,,,,,,,,,,,,,I  
16,2,,172460-16570,, "HARNES DECEL ASSY",1,1,,,,,,,,,,,,,I  
18,3,,29420-200000,, "HUSE",2,2,,,,,,,,,,,,,I  
19,2,,172460-17110,, "BRACKET, TIMER",1,1,,,,,,,,,,,,,I  
20,2,,172162-17180,, "SOLENOID",1,1,,,,,,,,,,,,,I  
21,2,,172190-17220,, "RELEY, TIMER",1,1,,,,,,,,,,,,,I  
22,2,,172190-45080,, "LEVER L CMP(DECEL",1,1,,,,,,,,,,,,,I  
23,2,,172176-47870,, "KNOB",1,1,,,,,,,,,,,,,I  
24,2,,1C6281-52310,, "PIN 6,COME-OFF SNAP",6,6,,,,,,,,,,,,,I  
25,2,,1A3809-56915,, "PIN 6X 20",1,1,,,,,,,,,,,,,I  
26,2,,119620-66820,, "JOINT",1,1,,,,,,,,,,,,,I  
27,2,,22137-060000,, "WASHER 6, POLISHED",7,7,,,,,,,,,,,,,I  
28,2,,22217-100000,, "SPRING WASHER 10",1,1,,,,,,,,,,,,,I  
29,2,,22351-040025,, "PIN 4X25,SPRING",1,1,,,,,,,,,,,,,I  
30,2,,24311-000210,, "O-RING 1A P-21.0",4,4,,,,,,,,,,,,,I  
31,2,,26013-060162,, "BOLT M 6X 16",2,2,,,,,,,,,,,,,I  
32,2,,26013-080202,, "BOLT W/WASHER M8X20",2,2,,,,,,,,,,,,,I  
33,2,,26013-120252,, "BOLT M12X 25",2,2,,,,,,,,,,,,,I  
34,2,,26022-060252,, "SCREW M 6X 25",2,2,,,,,,,,,,,,,I  
35,2,,26116-100162,, "BOLT M10X 16 PLATED",1,1,,,,,,,,,,,,,I  
36,2,,26587-040062,, "SCREW M 4X 6",1,1,,,,,,,,,,,,,I  
37,2,,26716-060002,, "NUT 6",1,1,,,,,,,,,,,,,I  
38,2,,933152-09280,, "BAND 170",6,6,,,,,,,,,,,,,I  
39,2,,933166-17730,, "WASHER 10.5X30",1,1,,,,,,,,,,,,,I  
40,2,,933168-55770,, "BAND 146",2,2,,,,,,,,,,,,,I

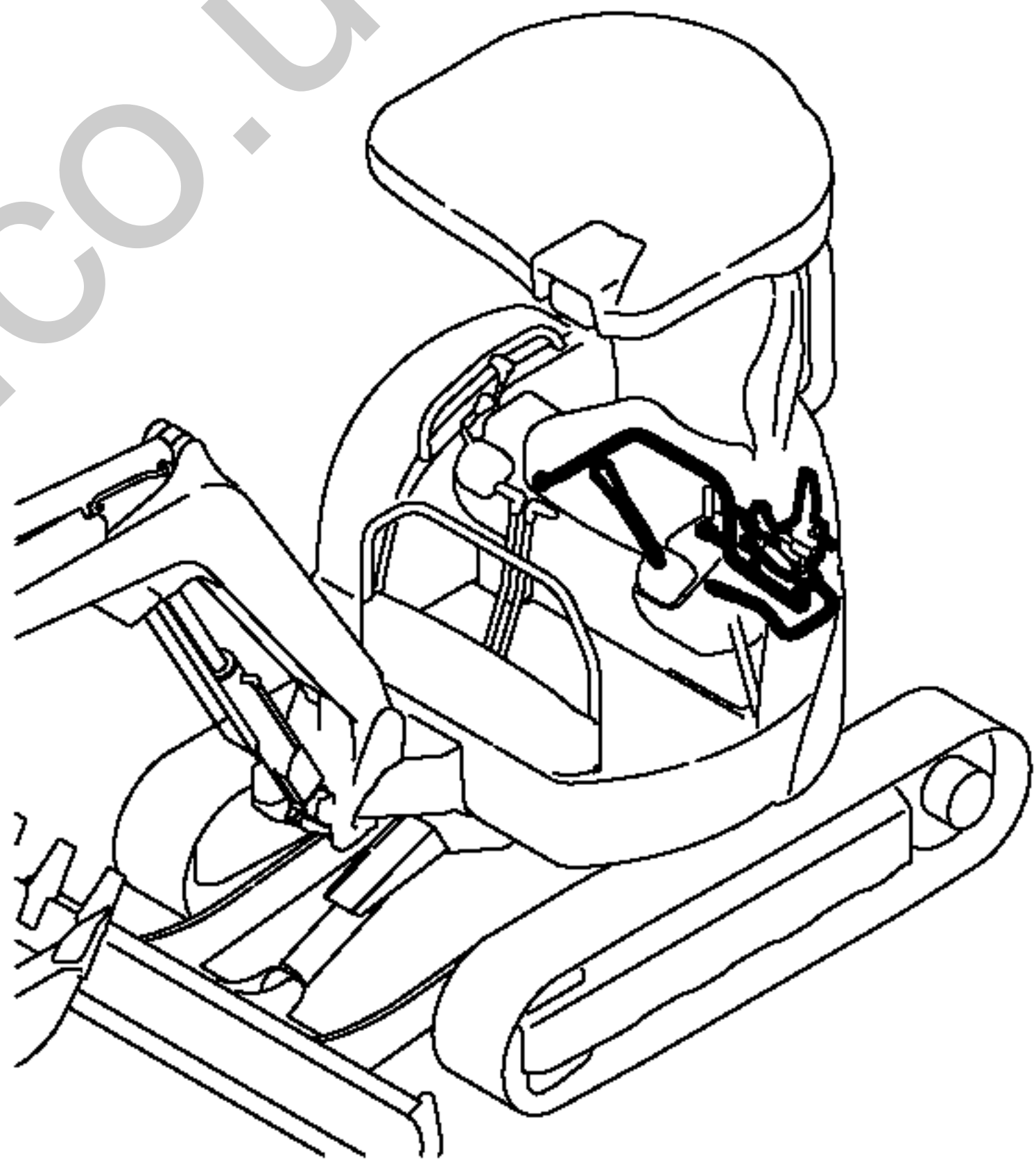


172456-08200  
デセルキット  
DECCEL KIT

エンジンコントロールの標準仕様に  
ワンタッチデセル機能を追加する為の  
リンクとワイヤーの改装部品です。

LINK & WIRE PARTS IN ORDER  
TO ADD ONE-TOUCH DECCEL  
SYSTEM TO STANDARD SPEC.  
OF ENGINE CONTROL.

Fig. 14 ワンタッチデセル(オプション)  
ONE TOUCH DECCEL (OPTIONAL)



1,1,,172456-08510,, "4-WAY MULTI V.KIT",,1,,,,,1,,,,,,,,,,,,,I  
1-1,1,,172A02-08510,, "MULTI KIT, 4-  
WAY",1,1,,,,,N,1,,,72456280,M/#22501,,,,,,,,,,,,,I  
2,2,,172444-03290,,MAGNET,1,1,,,,,,,,,,,,,I  
3,2,,172151-03551,,LABEL,1,1,,,,,,,,,,,,,I  
4,2,,172126-11510,, "BAND 300",4,4,,,,,,,,,,,,,I  
5,2,,172165-45490,,CUSHION,,1,,,,,Z,,,,,72456280,M/#22501,,,,,,,,,,,,,I  
6,2,,172456-74200,, "BRACKET,MULTI",,1,,,,,,,,,,,,,I  
6-1,2,,172487-74200,, "BRACKET,MULTI",1,1,,,,,F,2,,,,,72456280,M/#22501,,,,,,,,,,,,,I  
7,2,,172151-74601,,VALVE,1,1,,,,,,,,,,,,,I  
8,3,,182900-16530,,COVER,1,1,,,,,,,,,,,,,I  
9,3,,182900-22300,,SPRING,1,1,,,,,,,,,,,,,I  
10,3,,172151-74740,, "PLATE, MARK",1,1,,,,,,,,,,,,,I  
11,3,,182900-77190,,BOLT,8,8,,,,,,,,,,,,,I  
12,3,,182900-77200,,BOLT,8,8,,,,,,,,,,,,,I  
13,3,,182900-77210,, "DUST SEAL",1,1,,,,,,,,,,,,,I  
14,3,,182900-77220,,COVER,1,1,,,,,,,,,,,,,I  
15,3,,182900-77230,, "WING BOLT",1,1,,,,,,,,,,,,,I  
16,3,,182900-77240,,BOLT,2,2,,,,,,,,,,,,,I  
17,3,,182900-77250,,LEVER,1,1,,,,,,,,,,,,,I  
18,3,,24190-100001,, "BALL 5/16, STEEL",1,1,,,,,,,,,,,,,I  
19,3,,24311-000280,, "O-RING 1A P-28.0",1,1,,,,,,,,,,,,,I  
20,3,,24321-000600,, "O-RING 1A G-60.0",2,2,,,,,,,,,,,,,I  
21,3,,953KM0-00220,,WASHER,2,2,,,,,,,,,,,,,I  
22,3,,953KM0-00220,,WASHER,1,1,,,,,,,,,,,,,I  
23,3,,953KM0-10894,, "PLUG PT1/8",1,1,,,,,,,,,,,,,I  
24,2,,172173-76101,, "CONNECTOR PF1/4-45",3,3,,,,,,,,,,,,,I  
25,2,,172123-76121,, "JOINT PF1/4",2,2,,,,,,,,,,,,,I  
26,2,,172141-76180,,CONNECTOR,11,11,,,,,,,,,,,,,I  
27,3,,24315-000110,, "O-RING 1B P-11.0",11,11,,,,,,,,,,,,,I  
28,2,,172456-78320,, "HOSE F403BB107S",1,1,,,,,,,,,,,,,I  
29,2,,172456-78330,, "HOSE F403BB100S",1,1,,,,,,,,,,,,,I  
30,2,,172456-78340,, "HOSE F403BB125S",1,1,,,,,,,,,,,,,I  
31,2,,172456-78370,, "HOSE F403BB156S",1,1,,,,,,,,,,,,,I  
32,2,,172456-78380,, "HOSE F403BB117S",1,1,,,,,,,,,,,,,I  
33,2,,172456-78390,, "HOSE F403BB152S",1,1,,,,,,,,,,,,,I  
34,2,,172456-78400,, "HOSE F403BB112S",1,1,,,,,,,,,,,,,I  
35,2,,172456-78420,, "HOSE F403CE065S",1,1,,,,,,,,,,,,,I  
36,2,,172458-78570,, "SPONGE,HOSE",1,1,,,,,,,,,,,,,I  
37,2,,172458-78610,, "HOSE F403BE057",1,1,,,,,,,,,,,,,I  
38,2,,172458-78620,, "HOSE F403BC030",1,1,,,,,,,,,,,,,I  
39,2,,172458-78630,, "HOSE F403BC027",1,1,,,,,,,,,,,,,I  
40,2,,172458-78640,, "HOSE F403BC027",1,1,,,,,,,,,,,,,I  
41,2,,172458-78650,, "HOSE F403BB055",1,1,,,,,,,,,,,,,I  
42,2,,172458-78660,, "HOSE F403BC030",1,1,,,,,,,,,,,,,I  
43,2,,172458-78670,, "HOSE F403BC065S",1,1,,,,,,,,,,,,,I  
44,2,,172458-78790,, "HOSE F403BB116S",1,1,,,,,,,,,,,,,I  
45,2,,172444-78800,, "SPONGE, HOSE",1,1,,,,,,,,,,,,,I  
46,2,,22252-000280,, "CIRCLIP 28",,1,,,,,Z,,,,,72456280,M/#22501,,,,,,,,,,,,,I  
47,2,,24315-000110,, "O-RING 1B P-11.0",4,4,,,,,,,,,,,,,I  
48,2,,26013-100202,, "BOLT W/WASHER M10X20",3,3,,,,,,,,,,,,,I  
49,2,,26013-100202,, "BOLT W/WASHER M10X20",3,3,,,,,,,,,,,,,I  
50,2,,26106-100352,, "BOLT M10X 35 PLATED",,1,,,,,,,,,,,,,I  
50-1,2,,26013-100352,, "BOLT M10X 35",1,1,,,,,S,,,,,72456280,M/#22501,,,,,,,,,,,,,I

Fig. 37 コントロールバルブ台  
CONTROL VALVE PLATE

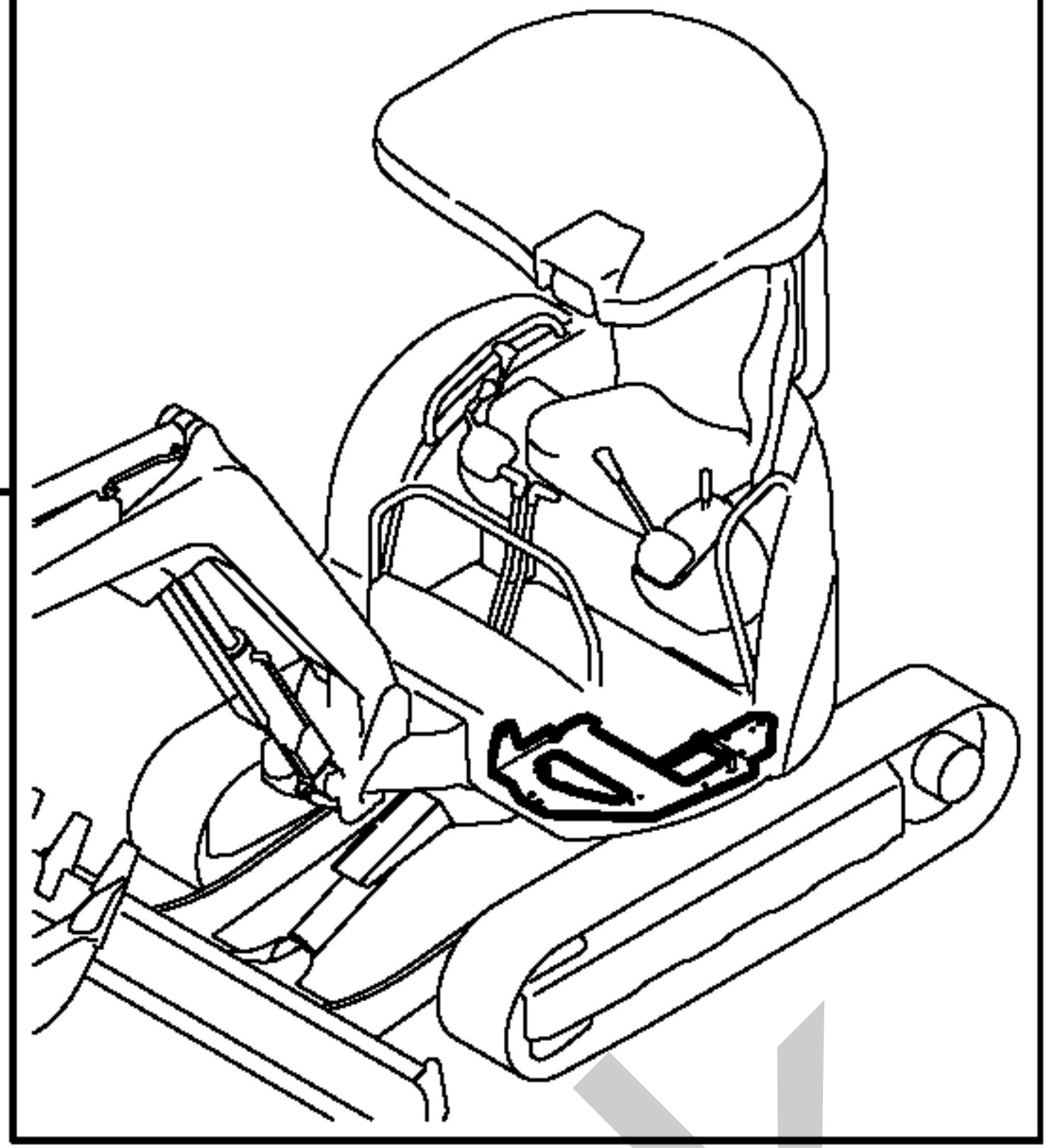


Fig. 82 ロータリバルブ (4ウェイ仕様)  
ROTARY VALVE  
(4-WAY SPEC.)

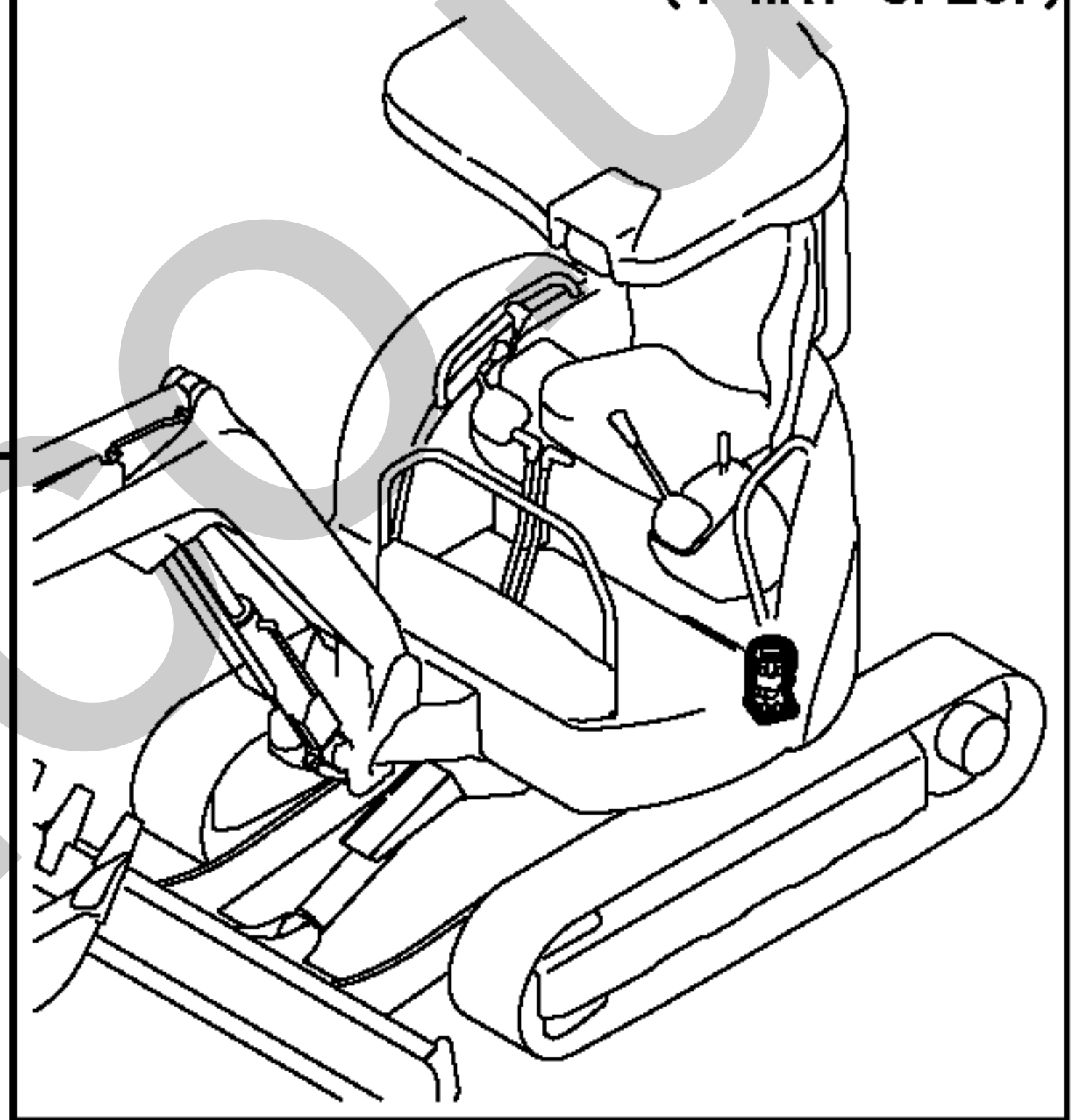


Fig. 95 コントロール配管 (リモコン  
~ロータリV:4ウェイ仕様)  
CONTROL PIPING (REMOTE  
CONTROL V. ~ROTARY V.  
:4-WAY SPEC.)

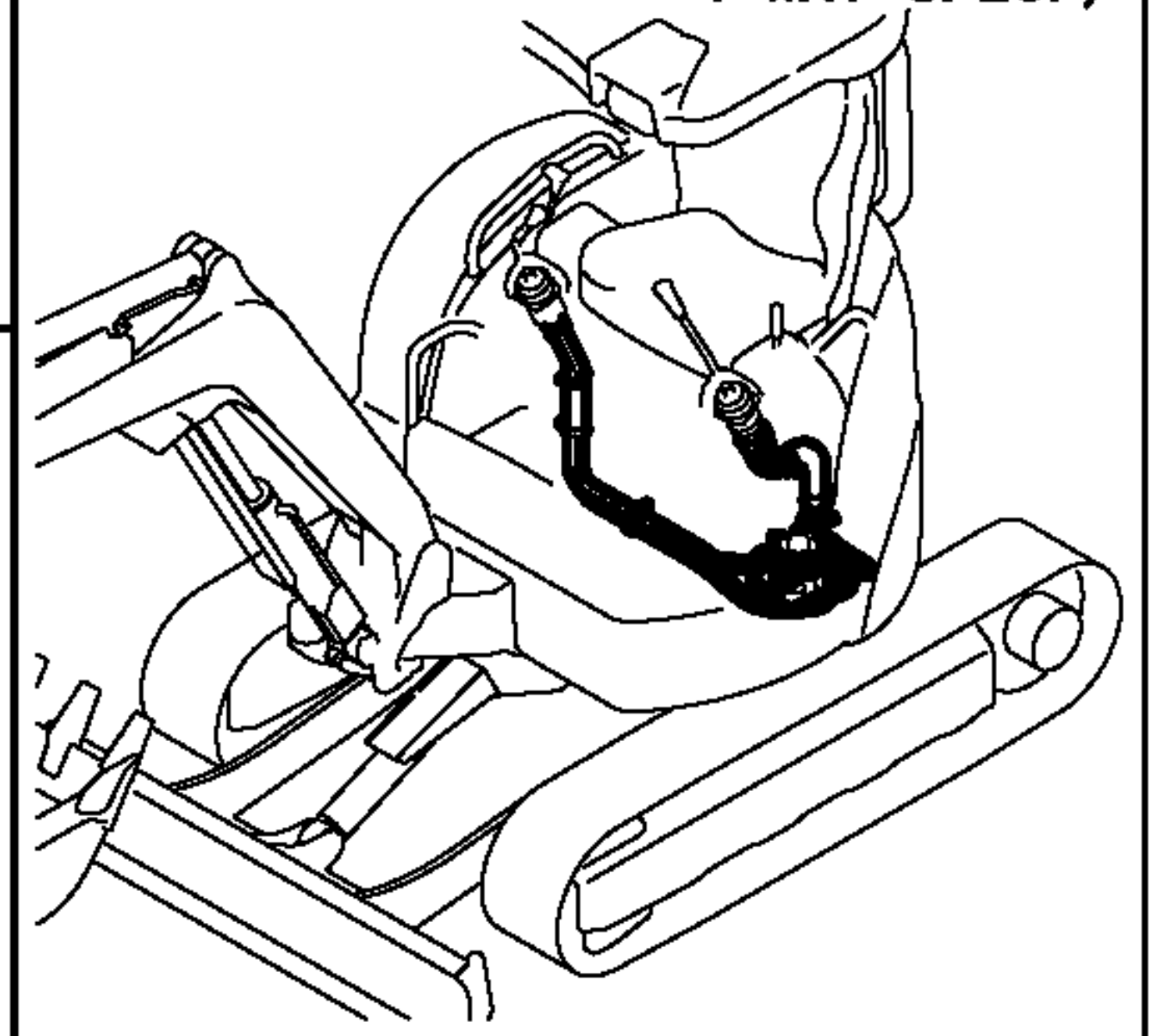
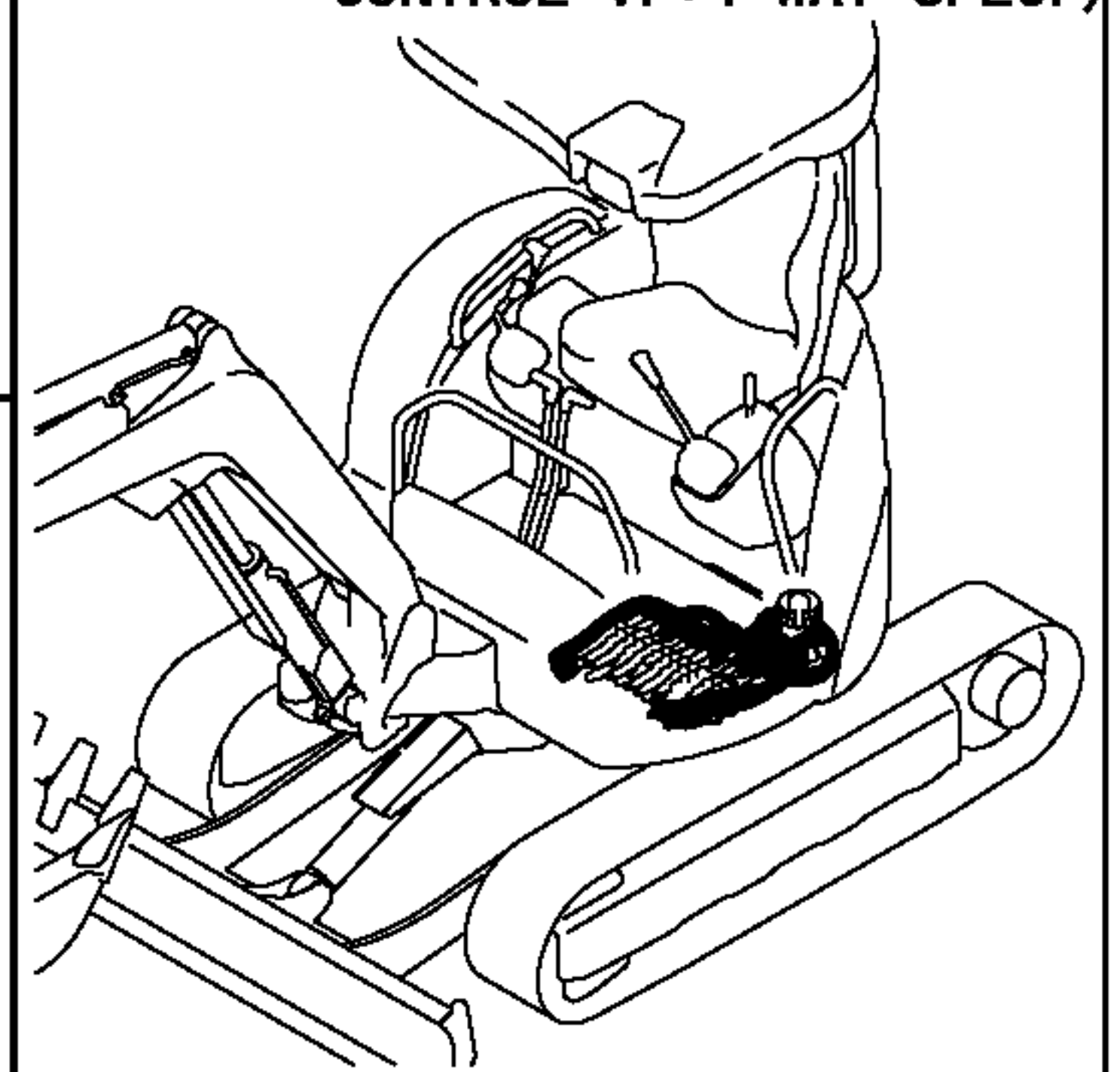


Fig. 96 コントロール配管 (ロータリV  
~コントロールV:4ウェイ仕様)  
CONTROL PIPING (ROTARY V.  
~CONTROL V. :4-WAY SPEC.)



172456-08510  
4ウェイマルチバルブキット  
4-WAY MULTI VALVE KIT

標準操作パターン (JIS. ヤンマーパターン) を  
ワンタッチで他社パターンに変更可能な切替  
えバルブ等を追加する為の部品です。

CUTOFF VALVE PARTS, ECT. WHICH CAN CHANGE  
FROM STANDARD OPERATION PATTERN  
(JIS. YANMAR PATTERN) TO ANOTHER CORPORATION  
PATTERN PROMPTLY.

1

1,1,,172458-08530,, "2-WAY KIT",1,1,,,,,1,,,,,,,,,,,,,I  
2,2,,172458-03550,, LABEL,1,1,,,,,,,,,,,,,I  
3,2,,172458-03560,, LABEL,1,1,,,,,,,,,,,,,I  
4,2,,172458-03570,, LABEL,1,1,,,,,,,,,,,,,I  
5,2,,172458-08540,, "LEVER ASS,2W",1,1,,,,,,,,,,,,,I  
6,3,,1C6141-35370,, "SPRING,LOCK",1,1,,,,,,,,,,,,,I  
7,3,,172458-74470,, SHAFT,1,1,,,,,,,,,,,,,I  
8,3,,172458-74480,, SLEEVE,1,1,,,,,,,,,,,,,I  
9,3,,172458-74490,, "LEVER KNOB BL",1,1,,,,,,,,,,,,,I  
10,3,,26712-080002,, "NUT M 8",1,1,,,,,,,,,,,,,I

Silverhorn.CO.UK

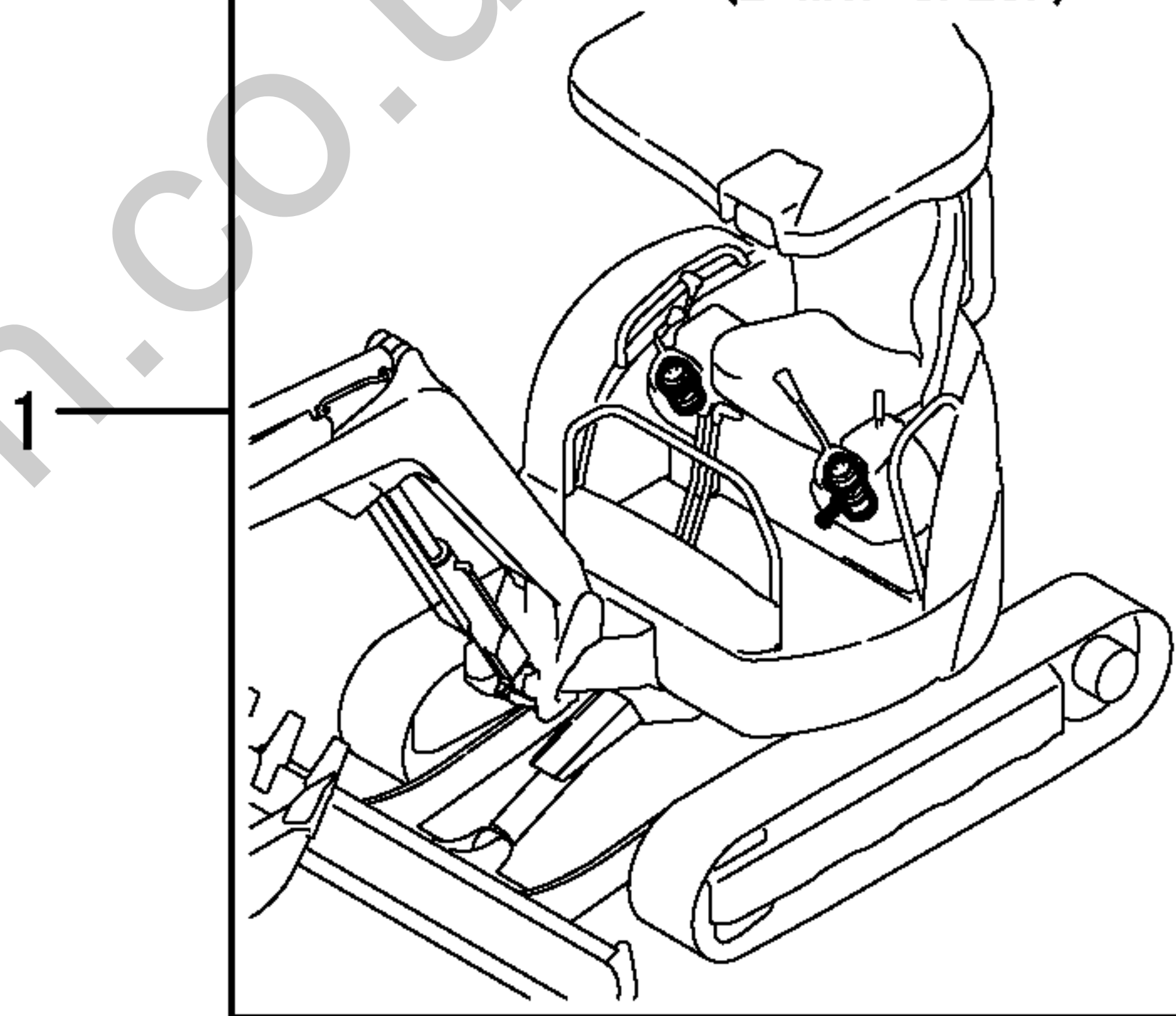
172458-08530

2ウェイマルチバルブキット  
2-WAY MULTI VALVE KIT

標準操作パターン(JIS. ヤンマーパターン)をワンタッチで小松パターンに変更可能な切替バルブ等を追加する為の部品です。

CUTOFF VALVE PARTS, ECT. WHICH CAN CHANGE FROM STANDARD OPERATION PATTERN (JIS. YANMAR PATTERN) TO KOMATSU PATTERN PROMPTLY.

Fig. 81 リモコンバルブ (2ウェイ仕様)  
REMOTE CONTROL VALVE  
(2-WAY SPEC.)



1,1,,172456-08700,, "P.T.O. KIT",1,1,,,,,1,,,,,,,,,,,,,I  
2,2,,172458-03240,, "LABEL,LOCK",1,1,,,,,,,,,,,,,I  
3,2,,172458-03270,, LABEL,,1,,,,,,,,,,,,,I  
3-1,2,,172490-03210,, "LABEL,  
P.T.O.",,1,,,,,N,,724600328,,724600328,M/#25604,,,,,,,,,I  
3-1,2,,172490-03210,, "LABEL, P.T.O.",1,1,,,,,N,,724600328,M/#25604,,,,,,,,,I  
4,2,,172068-28490,, "SPRING 8",2,2,,,,,,,,,,,,,I  
5,2,,172068-28490,, "SPRING 8",2,2,,,,,,,,,,,,,I  
6,2,,172110-36010,, COLLAR,2,2,,,,,,,,,,,,,I  
7,2,,194200-37780,, "LS-NUT 8",1,1,,,,,,,,,,,,,I  
8,2,,172734-41300,, "LINK BALL 8L",1,1,,,,,,,,,,,,,I  
9,2,,172823-45000,, "ROD 54, SPOOL",1,1,,,,,,,,,,,,,I  
10,2,,172456-45170,, "ROD, P.T.O.",1,1,,,,,,,,,,,,,I  
11,2,,1A1040-45890,, "WASHER 10 36 4.5",2,2,,,,,,,,,,,,,I  
12,2,,172458-46100,, "LINK A ASSY, P.T.O.",1,1,,,,,,,,,,,,,I  
13,3,,172141-41370,, "BUSH 2015",2,2,,,,,,,,,,,,,I  
15,2,,172458-46121,, "LINK B ASSY, P.T.O.",1,1,,,,,,,,,,,,,I  
16,3,,172141-41370,, "BUSH 2015",2,2,,,,,,,,,,,,,I  
18,2,,172458-46150,, "BRACKET,P.T.O. (72)",1,1,,,,,,,,,,,,,I  
19,2,,172124-46200,, "O-RING 27X5.7",4,4,,,,,,,,,,,,,I  
20,2,,172458-46230,, "PEDAL A (GRAY:72)",1,1,,,,,,,,,,,,,I  
21,3,,172141-41360,, "BUSH 1415",2,2,,,,,,,,,,,,,I  
22,3,,172110-45050,, "BUSH 12X12",2,2,,,,,,,,,,,,,I  
24,2,,172458-46280,, "PEDAL B (72)",1,1,,,,,,,,,,,,,I  
25,2,,172458-46290,, PLATE,1,1,,,,,,,,,,,,,I  
26,2,,172458-46350,, "PLATE,LOCK (GRAY:72)",1,1,,,,,,,,,,,,,I  
27,2,,172458-46371,, "BASE,PEDAL(BLACK:12)",1,1,,,,,,,,,,,,,I  
29,3,,172458-46380,, RUBBER,1,1,,,,,,,,,,,,,I  
30,2,,172187-46400-4,, "BRACKET (GRAY:72)",1,1,,,,,,,,,,,,,I  
31,2,,172187-46430,, SHAFT,1,1,,,,,,,,,,,,,I  
32,2,,172122-46590,, "ELBALL 8",4,4,,,,,,,,,,,,,I  
33,2,,172116-46630,, "KNOB, LOCK LEVER",1,1,,,,,,,,,,,,,I  
34,2,,172183-74820,, "STOP VALVE",2,2,,,,,,,,,,,,,I  
35,2,,172162-76130,, "ADAPTER,DOUBLE MALE",1,1,,,,,,,,,,,,,I  
36,2,,172422-76180,, CONNECTOR,1,1,,,,,,,,,,,,,I  
37,2,,172183-76250,, "PLATE (GREEN:97)",2,2,,,,,,,,,,,,,I  
38,2,,172456-76250,, "JOINT 3/8,SWIVEL",1,1,,,,,,,,,,,,,I  
39,3,,172456-76260,, "SEAL SET 3/8",1,1,,,,,W,,72456274,M/#20501,,,,,,,,,I  
40,2,,172142-76270,, "JOINT 1/2, SWIVEL",1,1,,,,,,,,,,,,,I  
41,3,,172142-77040,, "SEAL SET",1,1,,,,,,,,,,,,,I  
42,2,,172456-76600,, "TUBE L,P.T.O. (97)",1,1,,,,,,,,,,,,,I  
43,2,,172175-76640,, "BOSS COMP (GREEN:97)",1,1,,,,,,,,,,,,,I  
44,2,,172456-76650,, "TUBE L,P.T.O. (97)",1,1,,,,,,,,,,,,,I  
45,2,,172458-76680,, "STAY (GREEN:97)",2,2,,,,,,,,,,,,,I  
46,2,,172456-76700,, "JOINT,P.T.O",1,1,,,,,,,,,,,,,I  
47,2,,172175-76750,, "CLAMP 1/2 (GREEN:97)",1,1,,,,,,,,,,,,,I  
48,2,,172456-76800,, "TUBE,F-END(GREEN:97)",1,1,,,,,,,,,,,,,I  
49,2,,172456-76880,, "PLATE (GREEN:97)",1,1,,,,,,,,,,,,,I  
50,2,,172142-76950-4,, "CLAMP 1/2 (GREEN:97)",4,4,,,,,,,,,,,,,I  
51,2,,172456-78910,, "HOSE H208AB060W",2,2,,,,,,,,,,,,,I  
52,2,,172456-78920,, "HOSE H206BB068",1,1,,,,,,,,,,,,,I  
53,2,,172456-78930,, "HOSE H208BB065",1,1,,,,,,,,,,,,,I  
54,2,,172456-78940,, "HOSE H208BC090",1,1,,,,,,,,,,,,,I  
55,2,,172456-78950,, "HOSE H206BC077",1,1,,,,,,,,,,,,,I  
56,2,,172456-78960,, "HOSE H208BC056",1,1,,,,,,,,,,,,,I  
57,2,,172456-78970,, "HOSE H206BC058",1,1,,,,,,,,,,,,,I  
58,2,,22117-080000,, "WASHER 8",3,3,,,,,,,,,,,,,I  
59,2,,22137-080000,, "WASHER 8, POLISHED",1,1,,,,,,,,,,,,,I  
60,2,,22137-080000,, "WASHER 8, POLISHED",1,1,,,,,,,,,,,,,I  
61,2,,22217-100000,, "SPRING WASHER 10",2,2,,,,,,,,,,,,,I  
62,2,,22417-160160,, "COTTER PIN 1.6X16",1,1,,,,,,,,,,,,,I  
63,2,,23871-040000,, "PLUG PT1/2,SCREW",2,2,,,,,,,,,,,,,I  
64,2,,24311-000210,, "O-RING 1A P-21.0",2,2,,,,,,,,,,,,,I

65,2,,24315-000140,, "O-RING 1B P-14.0",2,2,,,,,,,,,,,,,,,,,,,,,I  
66,2,,24761-050000,, "NIPPLE C,GREASE",2,2,,,,,,,,,,,,,,,,,,,,,I  
67,2,,26013-080162,, "BOLT W/WASHER M8X16",1,1,,,,,,,,,,,,,,,,,,,,,I  
68,2,,26013-080162,, "BOLT W/WASHER M8X16",3,3,,,,,,,,,,,,,,,,,,,,,I  
69,2,,26013-080252,, "BOLT M 8X 25",2,2,,,,,,,,,,,,,,,,,,,,,I  
70,2,,26013-100202,, "BOLT W/WASHER M10X20",2,2,,,,,,,,,,,,,,,,,,,,,I  
71,2,,26013-100202,, "BOLT W/WASHER M10X20",2,2,,,,,,,,,,,,,,,,,,,,,I  
72,2,,26013-100252,, "BOLT W/WASHER M10X25",4,4,,,,,,,,,,,,,,,,,,,,,I  
73,2,,26013-100252,, "BOLT W/WASHER M10X25",2,2,,,,,,,,,,,,,,,,,,,,,I  
74,2,,26013-100252,, "BOLT W/WASHER M10X25",2,2,,,,,,,,,,,,,,,,,,,,,I  
75,2,,26013-120302,, "BOLT W/WASHER M12X30",2,2,,,,,,,,,,,,,,,,,,,,,I  
76,2,,26013-120402,, "BOLT M12X 40",2,2,,,,,,,,,,,,,,,,,,,,,I  
77,2,,26013-120502,, "BOLT M12X 50",2,2,,,,,,,,,,,,,,,,,,,,,I  
78,2,,26013-120552,, "BOLT M12X55",1,1,,,,,,,,,,,,,,,,,,,,,I  
79,2,,26051-080002,, "NUT M 8",7,7,,,,,,,,,,,,,,,,,,,,,I  
80,2,,26116-080202,, "BOLT M 8X 20 PLATED",1,,,,,,,,,,,,,,,,,,,,,I  
80-1,2,,26116-080254,, "BOLT M 8X 25  
PLATED",1,1,,,,,N,,,,,72458513,M/#21858,,,,,,,,,,,,,I  
81,2,,26116-080254,, "BOLT M 8X 25 PLATED",1,1,,,,,,,,,,,,,,,,,,,,,I  
82,2,,26116-080304,, "BOLT M8 X 30 PLATED",1,1,,,,,,,,,,,,,,,,,,,,,I  
83,2,,26116-080354,, "BOLT M 8X 35 PLATED",1,1,,,,,,,,,,,,,,,,,,,,,I  
84,2,,26116-100202,, "BOLT M10X 20 PLATED",2,2,,,,,,,,,,,,,,,,,,,,,I  
85,2,,26658-080002,, "CAP NUT M 8",1,1,,,,,,,,,,,,,,,,,,,,,I  
86,2,,26716-080002,, "NUT M 8",2,2,,,,,,,,,,,,,,,,,,,,,I  
87,2,,26756-080002,, "LOCK NUT M 8 PLATED",2,2,,,,,,,,,,,,,,,,,,,,,I  
88,2,,26756-080002,, "LOCK NUT M 8 PLATED",1,1,,,,,,,,,,,,,,,,,,,,,I  
89,2,,26756-080002,, "LOCK NUT M 8 PLATED",1,1,,,,,,,,,,,,,,,,,,,,,I  
90,2,,933110-54100,, "PIN 4.75X14",1,1,,,,,,,,,,,,,,,,,,,,,I





Fig. **35** 操縦装置 (PTOペダル)  
CONTROL EQUIPMENT  
(P. T. O. PEDAL)

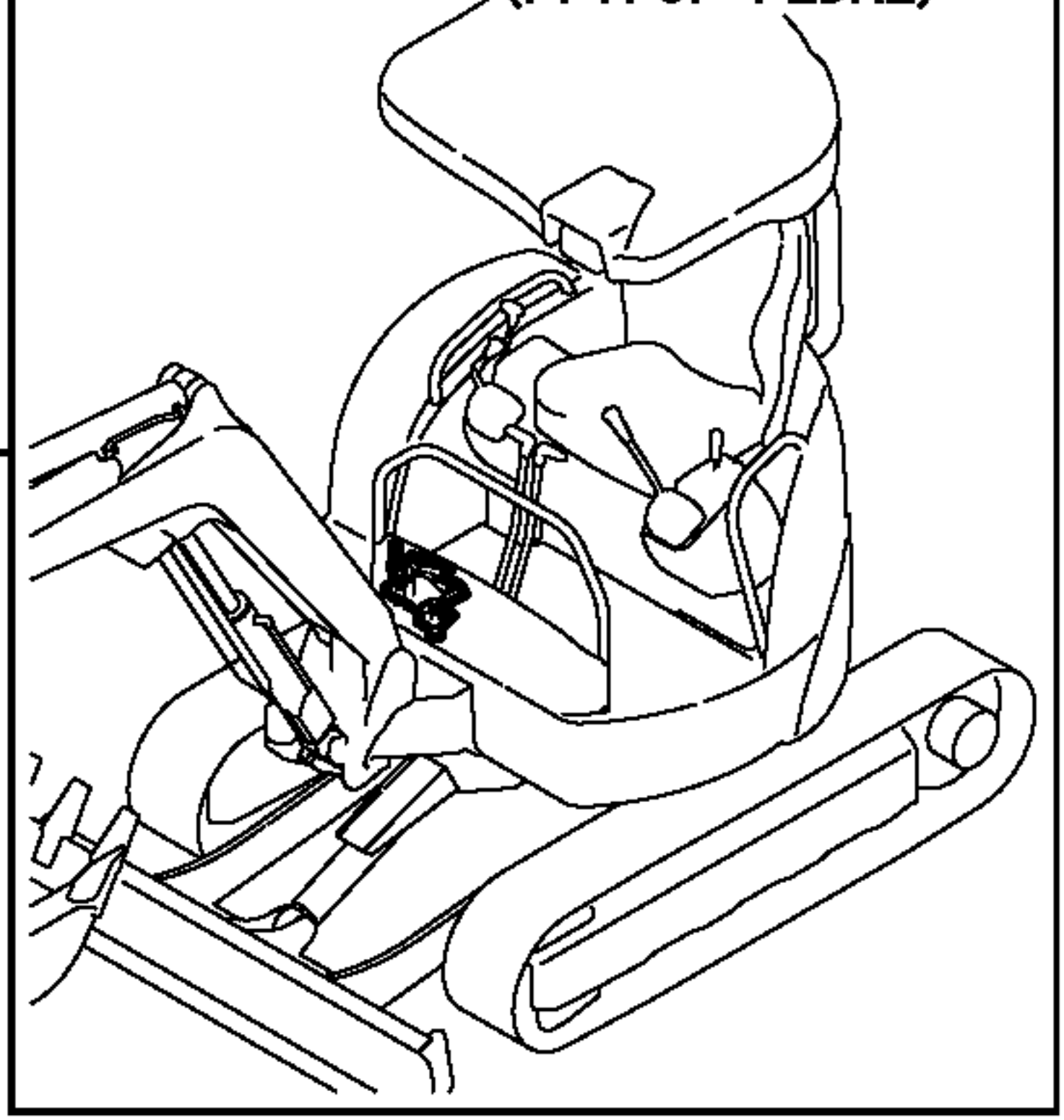


Fig. **36** 操縦装置 (PTOリンク)  
CONTROL EQUIPMENT  
(P. T. O. LINK)

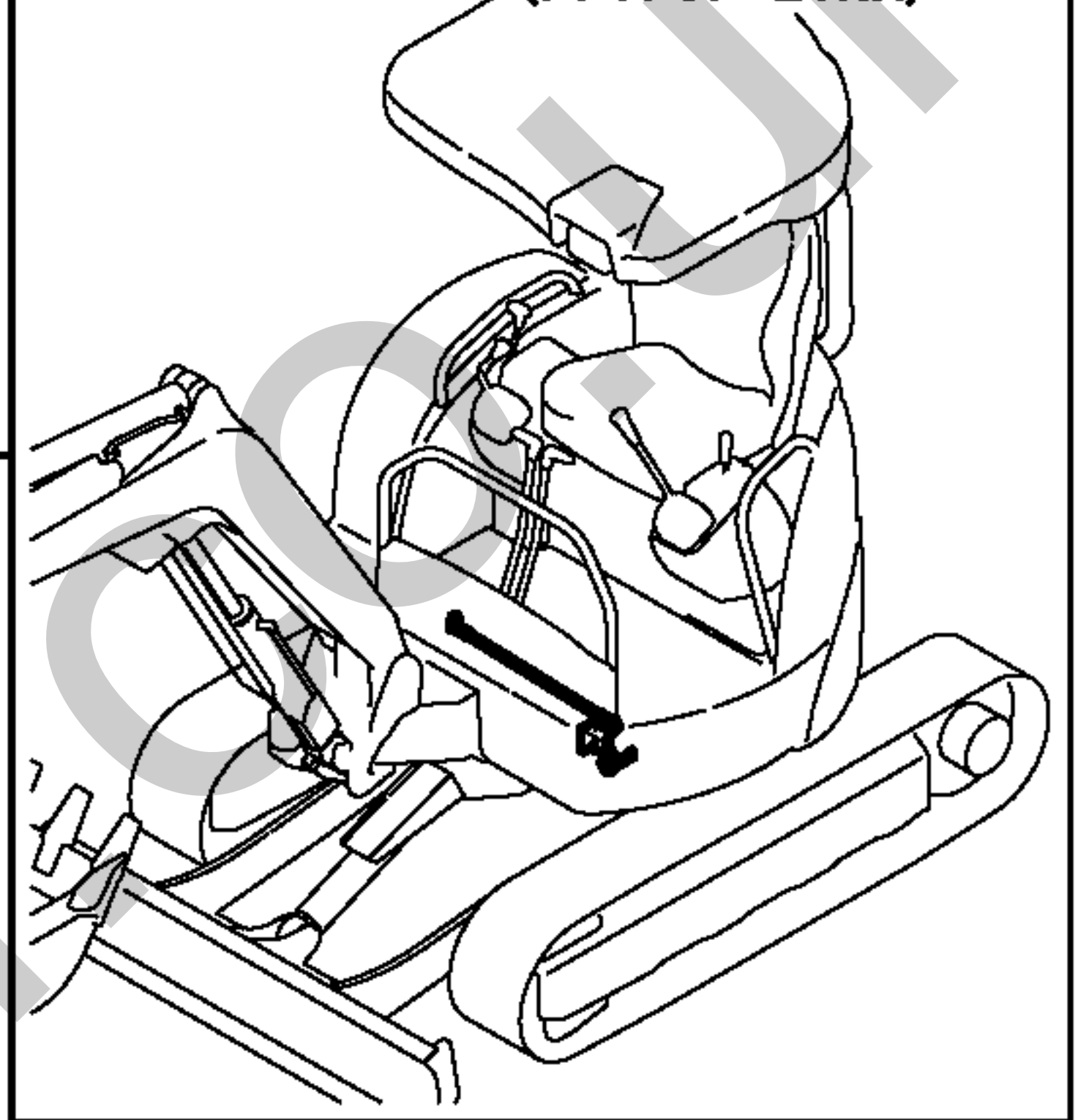


Fig. **88** 油圧配管 (PTO, フレームエンド)  
HYD. OIL PIPING  
(P. T. O., FRAME END)

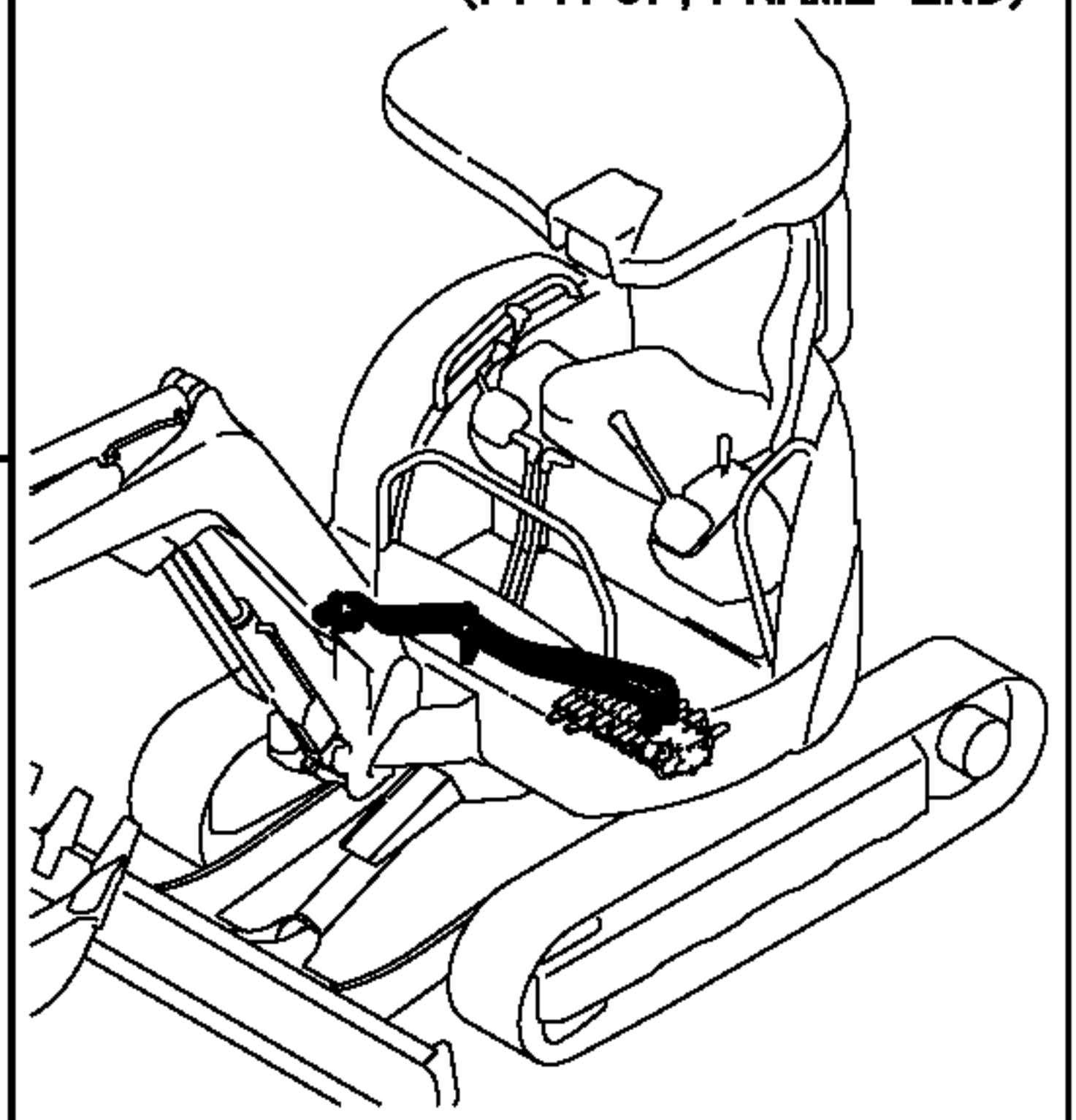
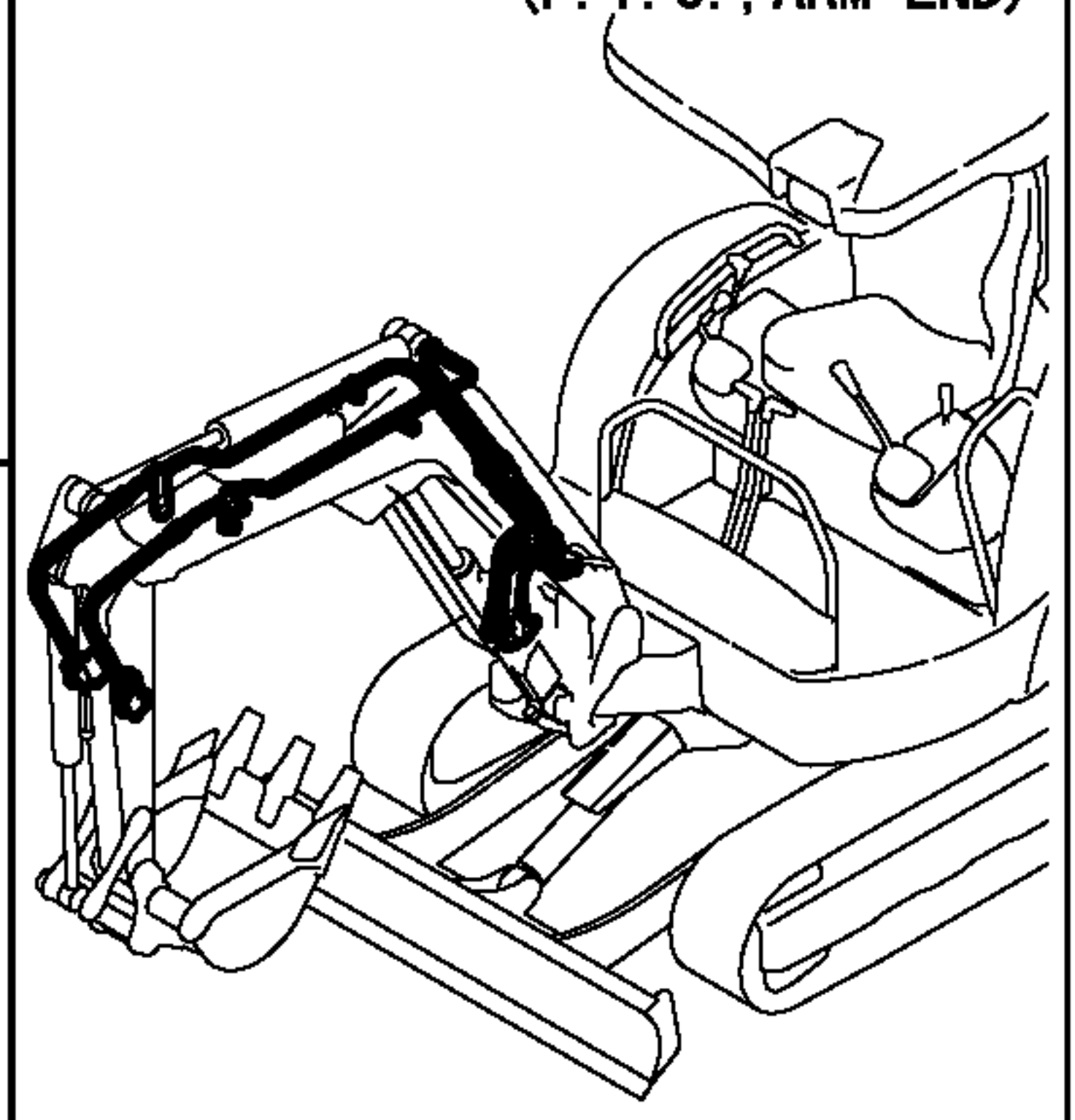


Fig. **91** 油圧配管 (PTO, アームエンド)  
HYD. OIL PIPING  
(P. T. O., ARM END)



172456-08700  
P T Oキット  
P. T. O. KIT

P T O配管のまったく付いていない  
標準仕様に配管、リンク及びカバー  
を加える改装部品です。

PARTS IN ORDER TO ADD PIPING,  
LINK & COVER TO STANDARD SPEC.  
WITH NO P. T. O. PIPING.

1,1,,172456-08710,, "P.T.O. KIT, LONG ARM",,1,,,,,1,,,,,I  
2,2,,172458-03240,, "LABEL,LOCK",,1,,,,,I  
3,2,,172458-03270,, LABEL,,1,,,,,I  
3-1,2,,172490-03210,, "LABEL,  
P.T.O.",,1,,,,,N,,724600328,,724600328,M/#25604,,,,,I  
3-1,2,,172490-03210,, "LABEL, P.T.O.",,1,,,,,N,,724600328,M/#25604,,,,,I  
4,2,,172068-28490,, "SPRING 8",,2,,,,,I  
5,2,,172068-28490,, "SPRING 8",,2,,,,,I  
6,2,,172110-36010,, COLLAR,,2,,,,,I  
7,2,,194200-37780,, "LS-NUT 8",,1,,,,,I  
8,2,,172734-41300,, "LINK BALL 8L",,1,,,,,I  
9,2,,172823-45000,, "ROD 54, SPOOL",,1,,,,,I  
10,2,,172456-45170,, "ROD, P.T.O.",,1,,,,,I  
11,2,,1A1040-45890,, "WASHER 10 36 4.5",,2,,,,,I  
12,2,,172458-46100,, "LINK A ASSY, P.T.O.",,1,,,,,I  
13,3,,172141-41370,, "BUSH 2015",,2,,,,,I  
15,2,,172458-46121,, "LINK B ASSY, P.T.O.",,1,,,,,I  
16,3,,172141-41370,, "BUSH 2015",,2,,,,,I  
18,2,,172458-46150,, "BRACKET,P.T.O. (72)",,1,,,,,I  
19,2,,172124-46200,, "O-RING 27X5.7",,4,,,,,I  
20,2,,172458-46230,, "PEDAL A (GRAY:72)",,1,,,,,I  
21,3,,172141-41360,, "BUSH 1415",,2,,,,,I  
22,3,,172110-45050,, "BUSH 12X12",,2,,,,,I  
24,2,,172458-46280,, "PEDAL B (72)",,1,,,,,I  
25,2,,172458-46290,, PLATE,,1,,,,,I  
26,2,,172458-46350,, "PLATE,LOCK (GRAY:72)",,1,,,,,I  
27,2,,172458-46371,, "BASE,PEDAL(BLACK:12)",,1,,,,,I  
29,3,,172458-46380,, RUBBER,,1,,,,,I  
30,2,,172187-46400-4,, "BRACKET (GRAY:72)",,1,,,,,I  
31,2,,172187-46430,, SHAFT,,1,,,,,I  
32,2,,172122-46590,, "ELBALL 8",,4,,,,,I  
33,2,,172116-46630,, "KNOB, LOCK LEVER",,1,,,,,I  
34,2,,172183-74820,, "STOP VALVE",,2,,,,,I  
35,2,,172162-76130,, "ADAPTER,DOUBLE MALE",,1,,,,,I  
36,2,,172422-76180,, CONNECTOR,,1,,,,,I  
37,2,,172183-76250,, "PLATE (GREEN:97)",,2,,,,,I  
38,2,,172456-76250,, "JOINT 3/8,SWIVEL",,1,,,,,I  
39,3,,172456-76260,, "SEAL SET 3/8",,1,,,,,W,,72456274,M/#20501,,,,,I  
40,2,,172142-76270,, "JOINT 1/2, SWIVEL",,1,,,,,I  
41,3,,172142-77040,, "SEAL SET",,1,,,,,I  
42,2,,172456-76600,, "TUBE L,P.T.O. (97)",,1,,,,,I  
43,2,,172175-76640,, "BOSS COMP (GREEN:97)",,1,,,,,I  
44,2,,172456-76650,, "TUBE L,P.T.O. (97)",,1,,,,,I  
45,2,,172458-76680,, "STAY (GREEN:97)",,2,,,,,I  
46,2,,172456-76700,, "JOINT,P.T.O",,1,,,,,I  
47,2,,172175-76750,, "CLAMP 1/2 (GREEN:97)",,1,,,,,I  
48,2,,172456-76800,, "TUBE,F-END(GREEN:97)",,1,,,,,I  
49,2,,172456-76880,, "PLATE (GREEN:97)",,1,,,,,I  
50,2,,172142-76950-4,, "CLAMP 1/2 (GREEN:97)",,4,,,,,I  
51,2,,172456-78900,, "HOSE H206AB082W",,2,,,,,I  
52,2,,172456-78920,, "HOSE H206BB068",,1,,,,,I  
53,2,,172456-78930,, "HOSE H208BB065",,1,,,,,I  
54,2,,172456-78940,, "HOSE H208BC090",,1,,,,,I  
55,2,,172456-78950,, "HOSE H206BC077",,1,,,,,I  
56,2,,172456-78960,, "HOSE H208BC056",,1,,,,,I  
57,2,,172456-78970,, "HOSE H206BC058",,1,,,,,I  
58,2,,22117-080000,, "WASHER 8",,3,,,,,I  
59,2,,22137-080000,, "WASHER 8, POLISHED",,1,,,,,I  
60,2,,22137-080000,, "WASHER 8, POLISHED",,1,,,,,I  
61,2,,22217-100000,, "SPRING WASHER 10",,2,,,,,I  
62,2,,22417-160160,, "COTTER PIN 1.6X16",,1,,,,,I  
63,2,,23871-040000,, "PLUG PT1/2,SCREW",,2,,,,,I  
64,2,,24311-000210,, "O-RING 1A P-21.0",,2,,,,,I

65,2,,24315-000140,, "O-RING 1B P-14.0" ,,2,,,,,,,,,,,,,,,,,,,,,I  
 66,2,,24761-050000,, "NIPPLE C,GREASE" ,,2,,,,,,,,,,,,,,,,,,,,,I  
 67,2,,26013-080162,, "BOLT W/WASHER M8X16" ,,1,,,,,,,,,,,,,,,,,,,,,I  
 68,2,,26013-080162,, "BOLT W/WASHER M8X16" ,,3,,,,,,,,,,,,,,,,,,,,,I  
 69,2,,26013-080252,, "BOLT M 8X 25" ,,2,,,,,,,,,,,,,,,,,,,,,I  
 70,2,,26013-100202,, "BOLT W/WASHER M10X20" ,,2,,,,,,,,,,,,,,,,,,,,,I  
 71,2,,26013-100202,, "BOLT W/WASHER M10X20" ,,2,,,,,,,,,,,,,,,,,,,,,I  
 72,2,,26013-100252,, "BOLT W/WASHER M10X25" ,,4,,,,,,,,,,,,,,,,,,,,,I  
 73,2,,26013-100252,, "BOLT W/WASHER M10X25" ,,2,,,,,,,,,,,,,,,,,,,,,I  
 74,2,,26013-100252,, "BOLT W/WASHER M10X25" ,,2,,,,,,,,,,,,,,,,,,,,,I  
 75,2,,26013-120302,, "BOLT W/WASHER M12X30" ,,2,,,,,,,,,,,,,,,,,,,,,I  
 76,2,,26013-120402,, "BOLT M12X 40" ,,2,,,,,,,,,,,,,,,,,,,,,I  
 77,2,,26013-120502,, "BOLT M12X 50" ,,2,,,,,,,,,,,,,,,,,,,,,I  
 78,2,,26013-120552,, "BOLT M12X55" ,,1,,,,,,,,,,,,,,,,,,,,,I  
 79,2,,26051-080002,, "NUT M 8" ,,7,,,,,,,,,,,,,,,,,,,,,I  
 80,2,,26116-080202,, "BOLT M 8X 20 PLATED" ,,1,,,,,,,,,,,,,,,,,,,,,I  
 80-1,2,,26116-080254,, "BOLT M 8X 25  
 PLATED" ,,1,,,,,N,,,,,72458513,M/#21858,,,,,,,,,,,,,I  
 81,2,,26116-080254,, "BOLT M 8X 25 PLATED" ,,1,,,,,,,,,,,,,,,,,,,,,I  
 82,2,,26116-080304,, "BOLT M8 X 30 PLATED" ,,1,,,,,,,,,,,,,,,,,,,,,I  
 83,2,,26116-080354,, "BOLT M 8X 35 PLATED" ,,1,,,,,,,,,,,,,,,,,,,,,I  
 84,2,,26116-100202,, "BOLT M10X 20 PLATED" ,,2,,,,,,,,,,,,,,,,,,,,,I  
 85,2,,26658-080002,, "CAP NUT M 8" ,,1,,,,,,,,,,,,,,,,,,,,,I  
 86,2,,26716-080002,, "NUT M 8" ,,2,,,,,,,,,,,,,,,,,,,,,I  
 87,2,,26756-080002,, "LOCK NUT M 8 PLATED" ,,2,,,,,,,,,,,,,,,,,,,,,I  
 88,2,,26756-080002,, "LOCK NUT M 8 PLATED" ,,1,,,,,,,,,,,,,,,,,,,,,I  
 89,2,,26756-080002,, "LOCK NUT M 8 PLATED" ,,1,,,,,,,,,,,,,,,,,,,,,I  
 90,2,,933110-54100,, "PIN 4.75X14" ,,1,,,,,,,,,,,,,,,,,,,,,I



Fig. **35** 操縦装置 (PTOペダル)  
CONTROL EQUIPMENT  
(P. T. O. PEDAL)

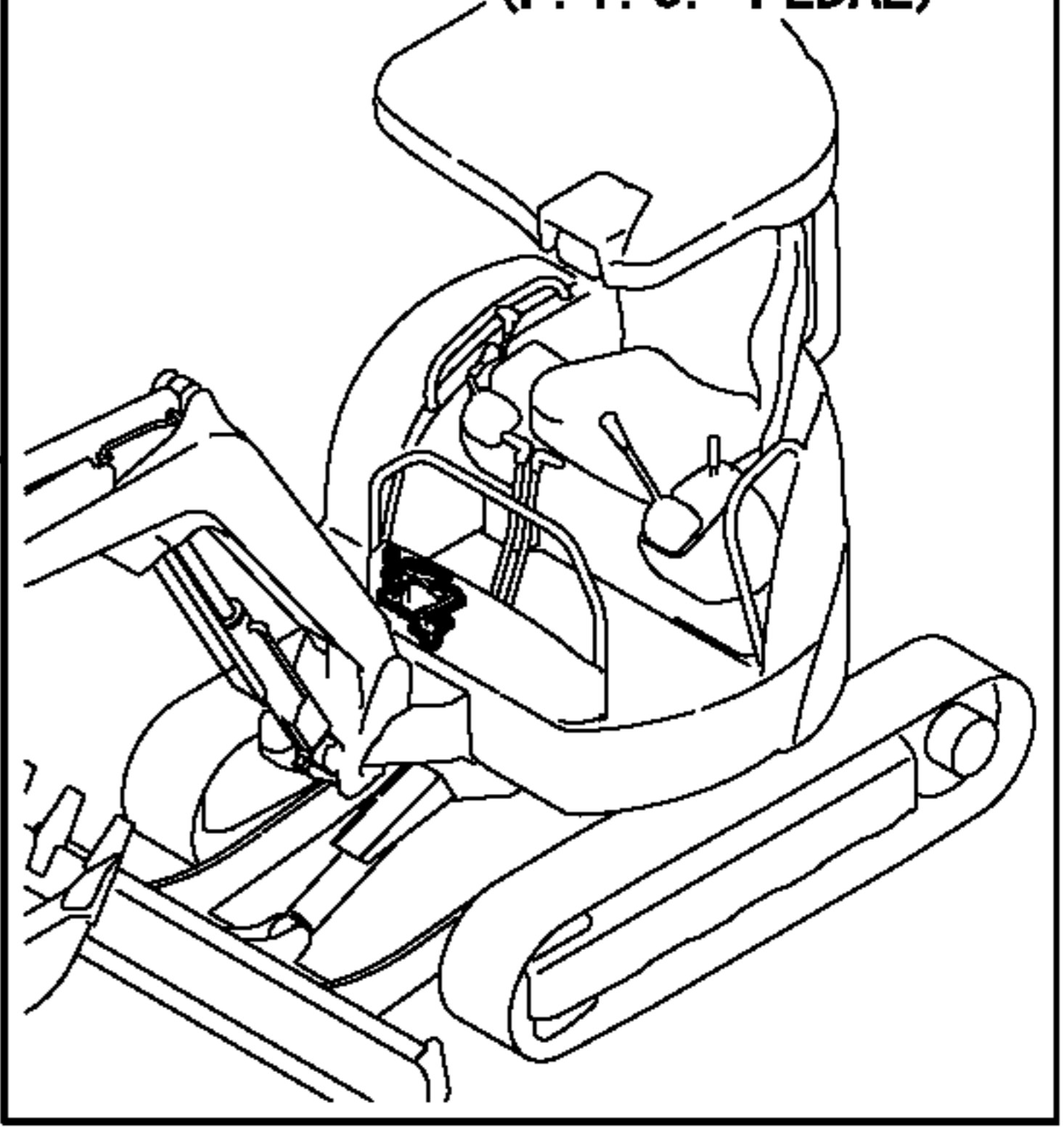


Fig. **36** 操縦装置 (PTOリンク)  
CONTROL EQUIPMENT  
(P. T. O. LINK)

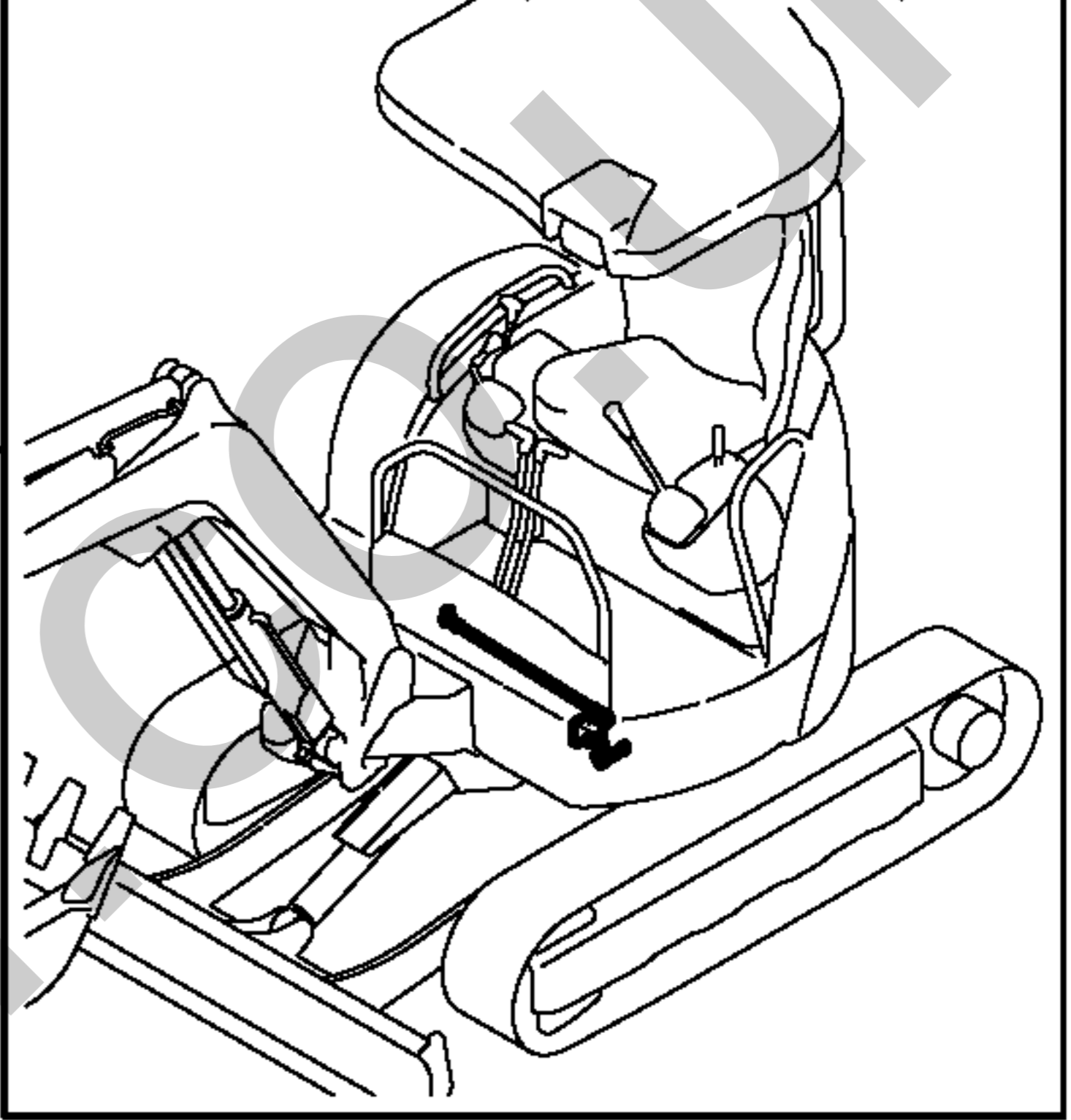


Fig. **88** 油圧配管 (PTO, フレームエンド)  
HYD. OIL PIPING  
(P. T. O., FRAME END)

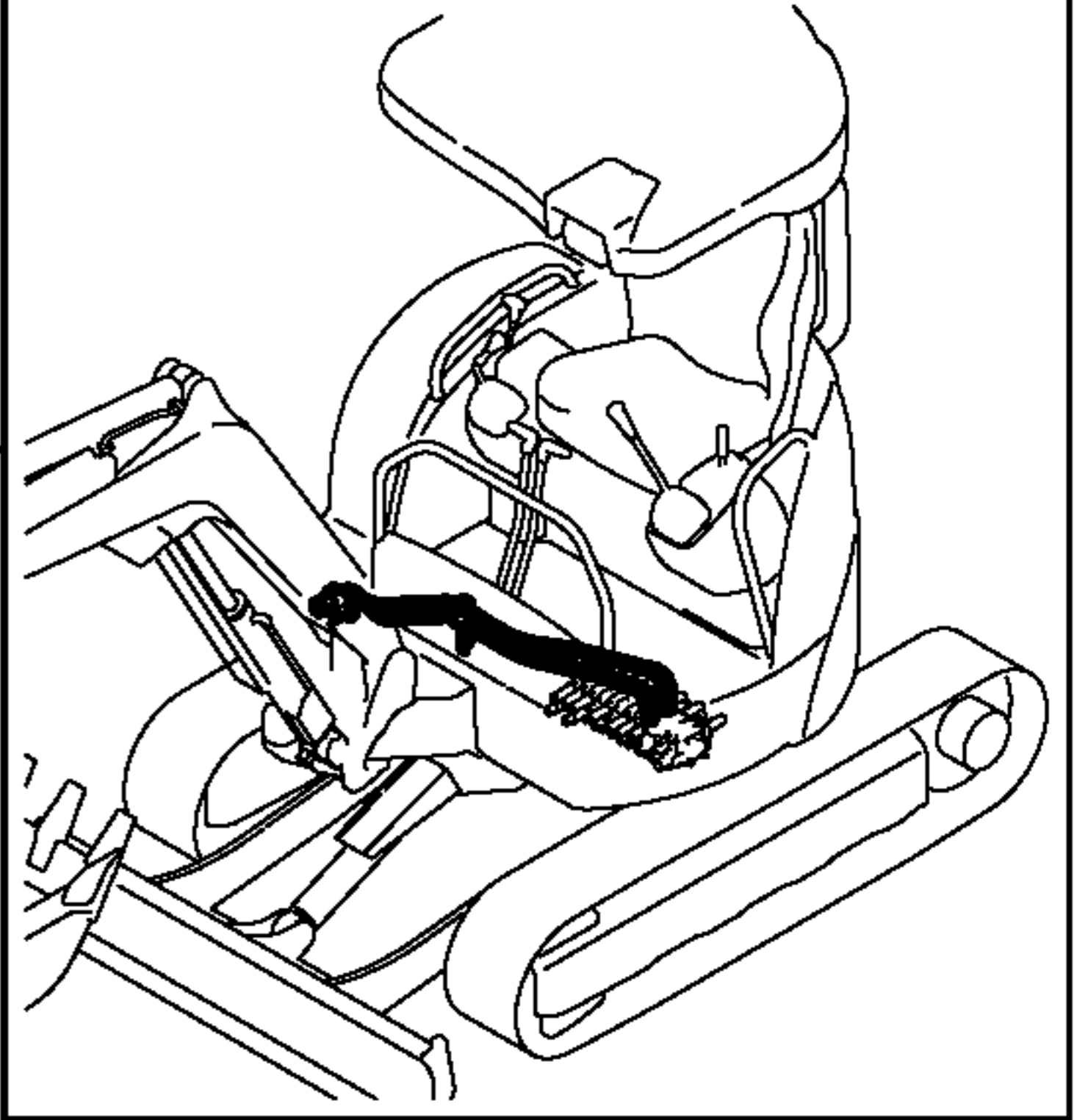
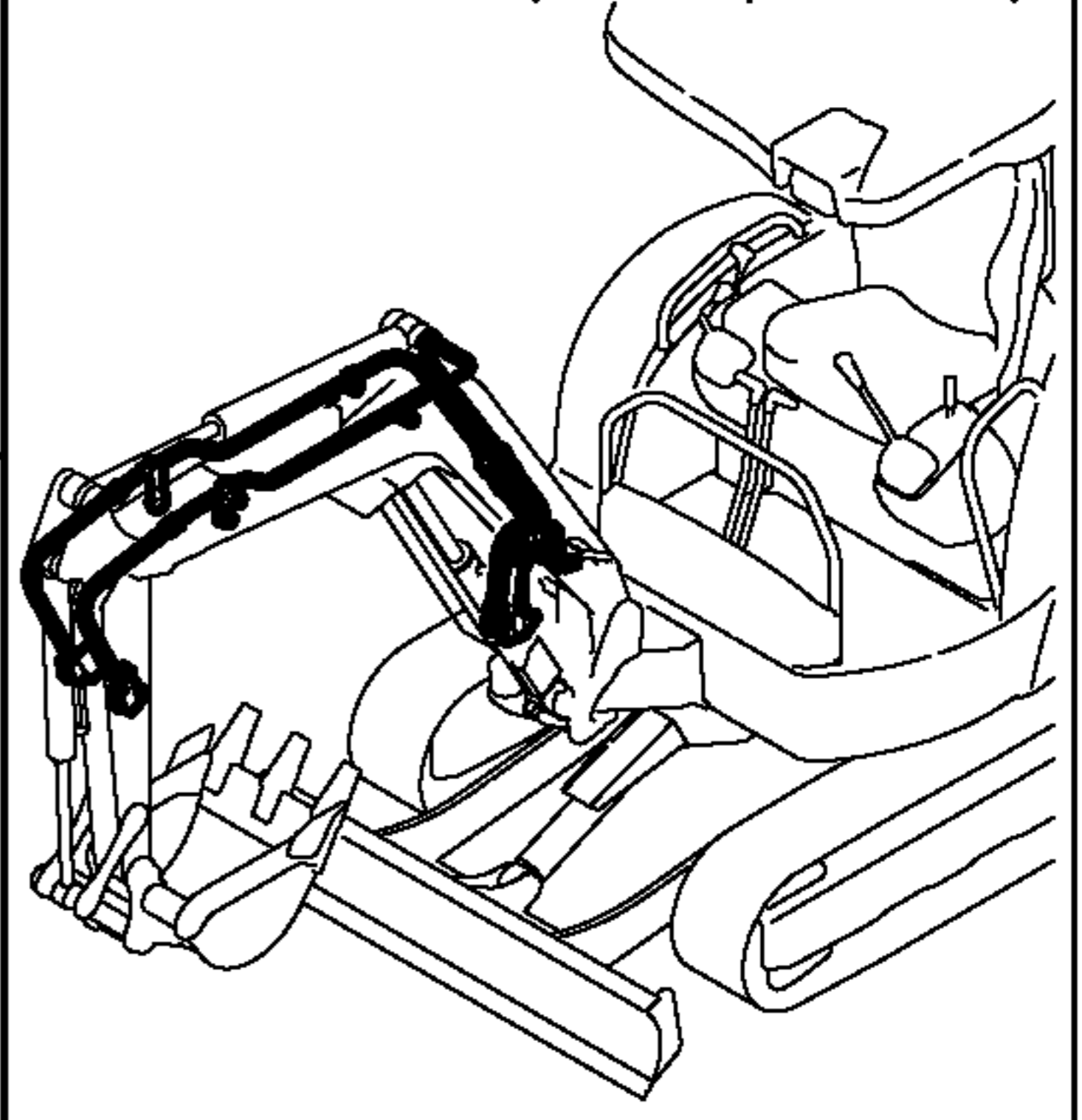


Fig. **91** 油圧配管 (PTO, アームエンド)  
HYD. OIL PIPING  
(P. T. O., ARM END)



172456-08710

P T Oキット (ロングアーム仕様)  
P. T. O. KIT (LONG ARM SPEC.)

P T O配管のまったく付いていない  
ロングアーム仕様に配管、リンク及び  
カバーを加える改装部品です。

PARTS IN ORDER TO ADD PIPING,  
LINK & COVER TO LONG ARM SPEC.  
WITH NO P. T. O. PIPING.

1

1,1,,172456-08720,, "P.T.O. KIT (FE",1,1,,,,,1,,,,,,I  
2,2,,172490-03210,, "LABEL, P.T.O.",1,1,,,,,,I  
3,2,,172458-03240,, "LABEL,LOCK",1,1,,,,,,I  
4,2,,172068-28490,, "SPRING 8",2,2,,,,,,I  
5,2,,172068-28490,, "SPRING 8",2,2,,,,,,I  
6,2,,172110-36010,, "COLLAR,2,2,,,,,,I  
7,2,,194200-37780,, "LS-NUT 8",1,1,,,,,,I  
8,2,,172734-41300,, "LINK BALL 8L",1,1,,,,,,I  
9,2,,172823-45000,, "ROD 54, SPOOL",1,1,,,,,,I  
10,2,,172456-45170,, "ROD, P.T.O.",1,1,,,,,,I  
11,2,,1A1040-45890,, "WASHER 10 36 4.5",2,2,,,,,,I  
12,2,,172458-46100,, "LINK A ASSY, P.T.O.",1,1,,,,,,I  
13,3,,172141-41370,, "BUSH 2015",2,2,,,,,,I  
15,2,,172458-46121,, "LINK B ASSY, P.T.O.",1,1,,,,,,I  
16,3,,172141-41370,, "BUSH 2015",2,2,,,,,,I  
18,2,,172458-46150,, "BRACKET,P.T.O. (72)",1,1,,,,,,I  
19,2,,172124-46200,, "O-RING 27X5.7",4,4,,,,,,I  
20,2,,172458-46230,, "PEDAL A (GRAY:72)",1,1,,,,,,I  
21,3,,172141-41360,, "BUSH 1415",2,2,,,,,,I  
22,3,,172110-45050,, "BUSH 12X12",2,2,,,,,,I  
24,2,,172458-46280,, "PEDAL B (72)",1,1,,,,,,I  
25,2,,172458-46290,, "PLATE,1,1,,,,,,I  
26,2,,172458-46350,, "PLATE,LOCK (GRAY:72)",1,1,,,,,,I  
27,2,,172458-46371,, "BASE,PEDAL(BLACK:12)",1,1,,,,,,I  
29,3,,172458-46380,, "RUBBER,1,1,,,,,,I  
30,2,,172187-46400-4,, "BRACKET (GRAY:72)",1,1,,,,,,I  
31,2,,172187-46430,, "SHAFT,1,1,,,,,,I  
32,2,,172122-46590,, "ELBALL 8",4,4,,,,,,I  
33,2,,172116-46630,, "KNOB, LOCK LEVER",1,1,,,,,,I  
34,2,,1A6380-48870,, "CAP, G3/8",1,1,,,,,,I  
35,2,,172137-75570,, "ADAPTER PF1/2",1,1,,,,,,I  
36,2,,172162-76130,, "ADAPTER,DOUBLE MALE",1,1,,,,,,I  
37,2,,172422-76180,, "CONNECTOR,1,1,,,,,,I  
38,2,,172456-76800,, "TUBE,F-END(GREEN:97)",1,1,,,,,,I  
39,2,,172456-76880,, "PLATE (GREEN:97)",1,1,,,,,,I  
40,2,,172456-78960,, "HOSE H208BC056",1,1,,,,,,I  
41,2,,172456-78970,, "HOSE H206BC058",1,1,,,,,,I  
42,2,,22117-080000,, "WASHER 8",3,3,,,,,,I  
43,2,,22137-080000,, "WASHER 8, POLISHED",1,1,,,,,,I  
44,2,,22137-080000,, "WASHER 8, POLISHED",1,1,,,,,,I  
45,2,,22217-100000,, "SPRING WASHER 10",2,2,,,,,,I  
46,2,,22417-160160,, "COTTER PIN 1.6X16",1,1,,,,,,I  
47,2,,24311-000210,, "O-RING 1A P-21.0",2,2,,,,,,I  
48,2,,24315-000140,, "O-RING 1B P-14.0",2,2,,,,,,I  
49,2,,24761-050000,, "NIPPLE C,GREASE",2,2,,,,,,I  
50,2,,26013-080162,, "BOLT W/WASHER M8X16",1,1,,,,,,I  
51,2,,26013-080162,, "BOLT W/WASHER M8X16",3,3,,,,,,I  
52,2,,26013-080252,, "BOLT M 8X 25",2,2,,,,,,I  
53,2,,26013-100202,, "BOLT W/WASHER M10X20",2,2,,,,,,I  
54,2,,26013-100202,, "BOLT W/WASHER M10X20",2,2,,,,,,I  
55,2,,26013-100252,, "BOLT W/WASHER M10X25",2,2,,,,,,I  
56,2,,26051-080002,, "NUT M 8",7,7,,,,,,I  
57,2,,26116-080254,, "BOLT M 8X 25 PLATED",1,1,,,,,,I  
58,2,,26116-080304,, "BOLT M8 X 30 PLATED",1,1,,,,,,I  
59,2,,26658-080002,, "CAP NUT M 8",1,1,,,,,,I  
60,2,,26716-080002,, "NUT M 8",1,1,,,,,,I  
61,2,,26756-080002,, "LOCK NUT M 8 PLATED",2,2,,,,,,I  
62,2,,26756-080002,, "LOCK NUT M 8 PLATED",1,1,,,,,,I  
63,2,,26756-080002,, "LOCK NUT M 8 PLATED",1,1,,,,,,I  
64,2,,933110-54100,, "PIN 4.75X14",1,1,,,,,,I  
65,2,,26116-100202,, "BOLT M10X 20 PLATED",2,2,,,,,,I

Fig. **35** 操縦装置 (PTOペダル)  
CONTROL EQUIPMENT  
(P. T. O. PEDAL)

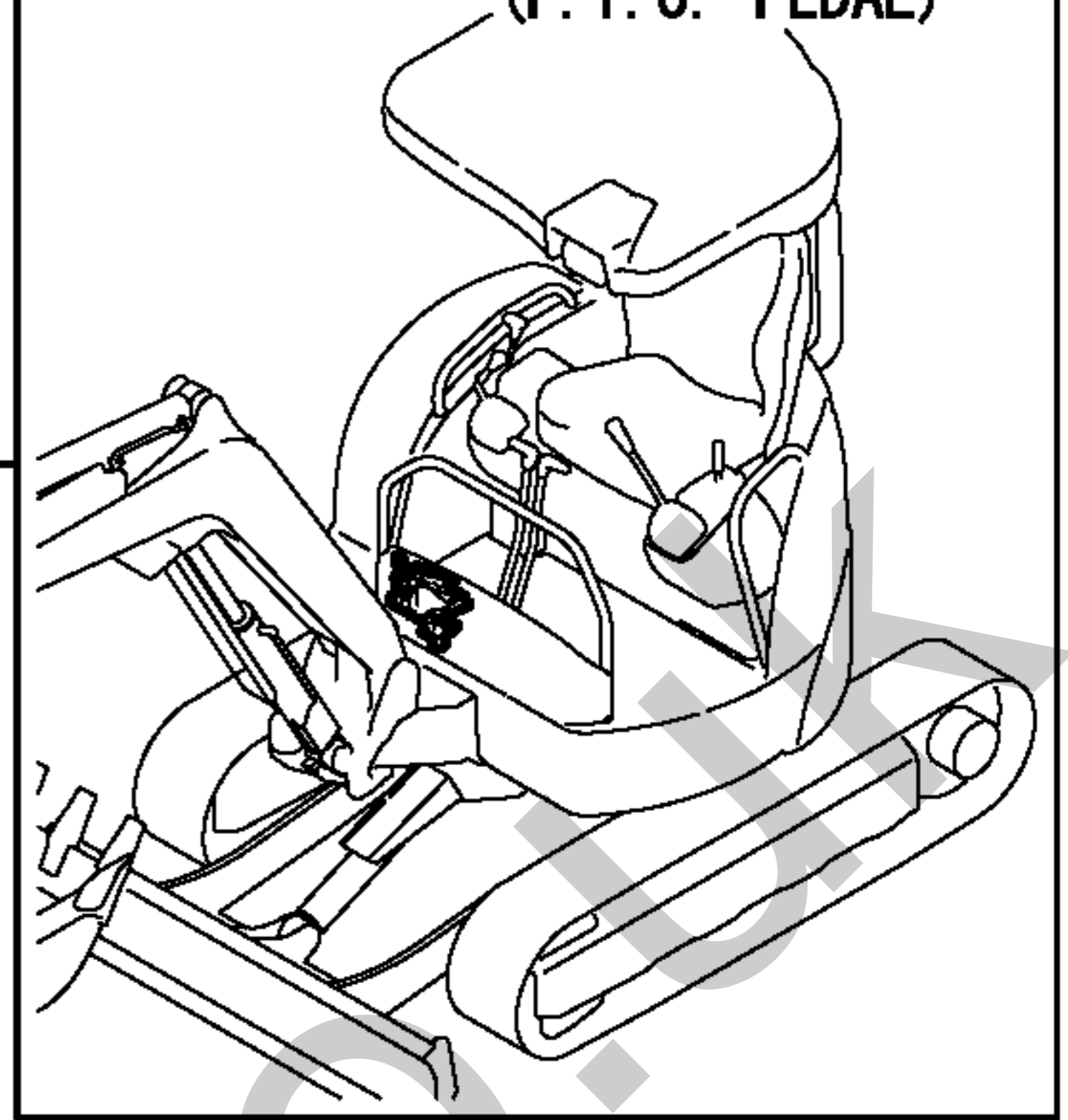


Fig. **36** 操縦装置 (PTOリンク)  
CONTROL EQUIPMENT  
(P. T. O. LINK)

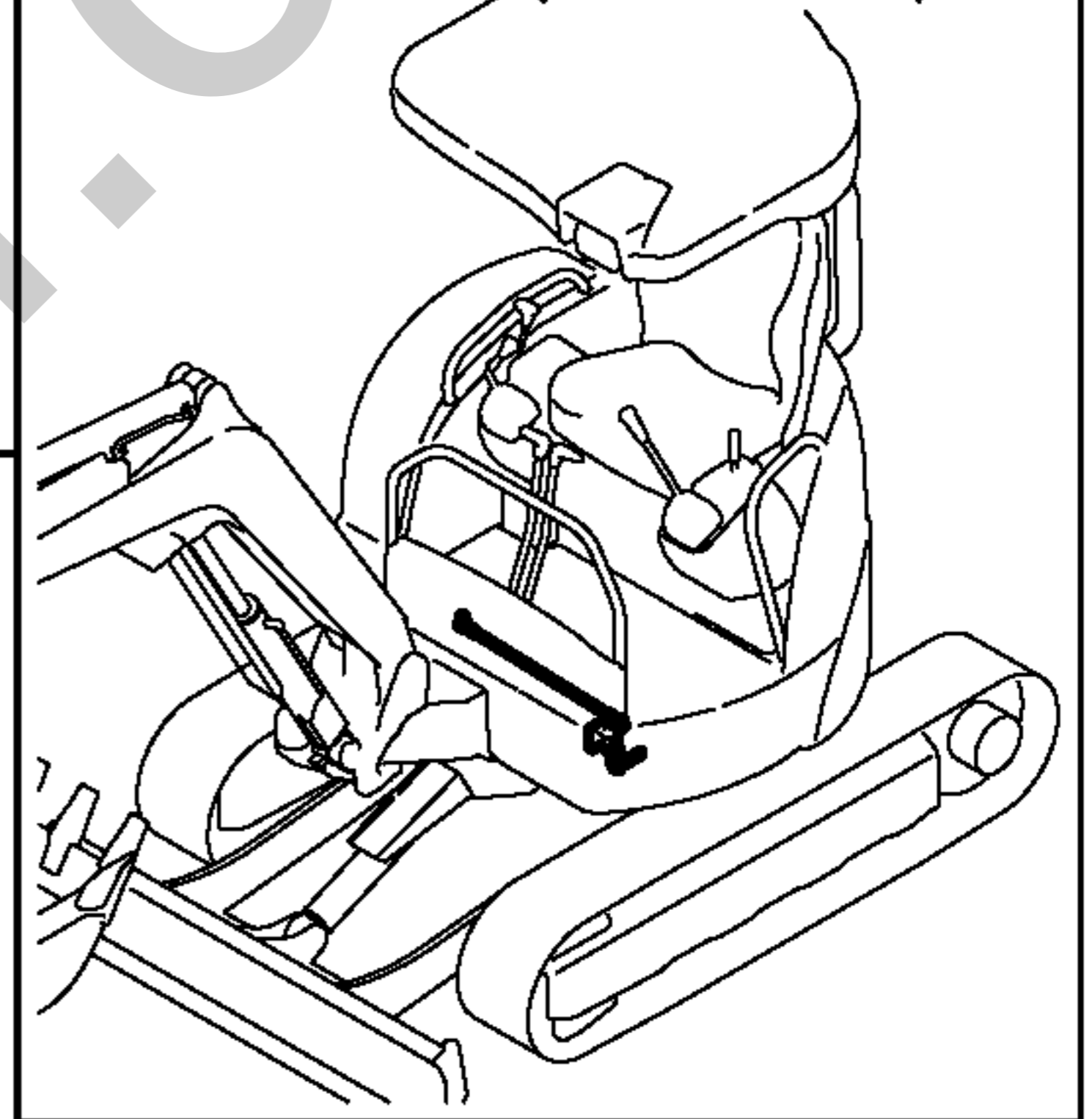
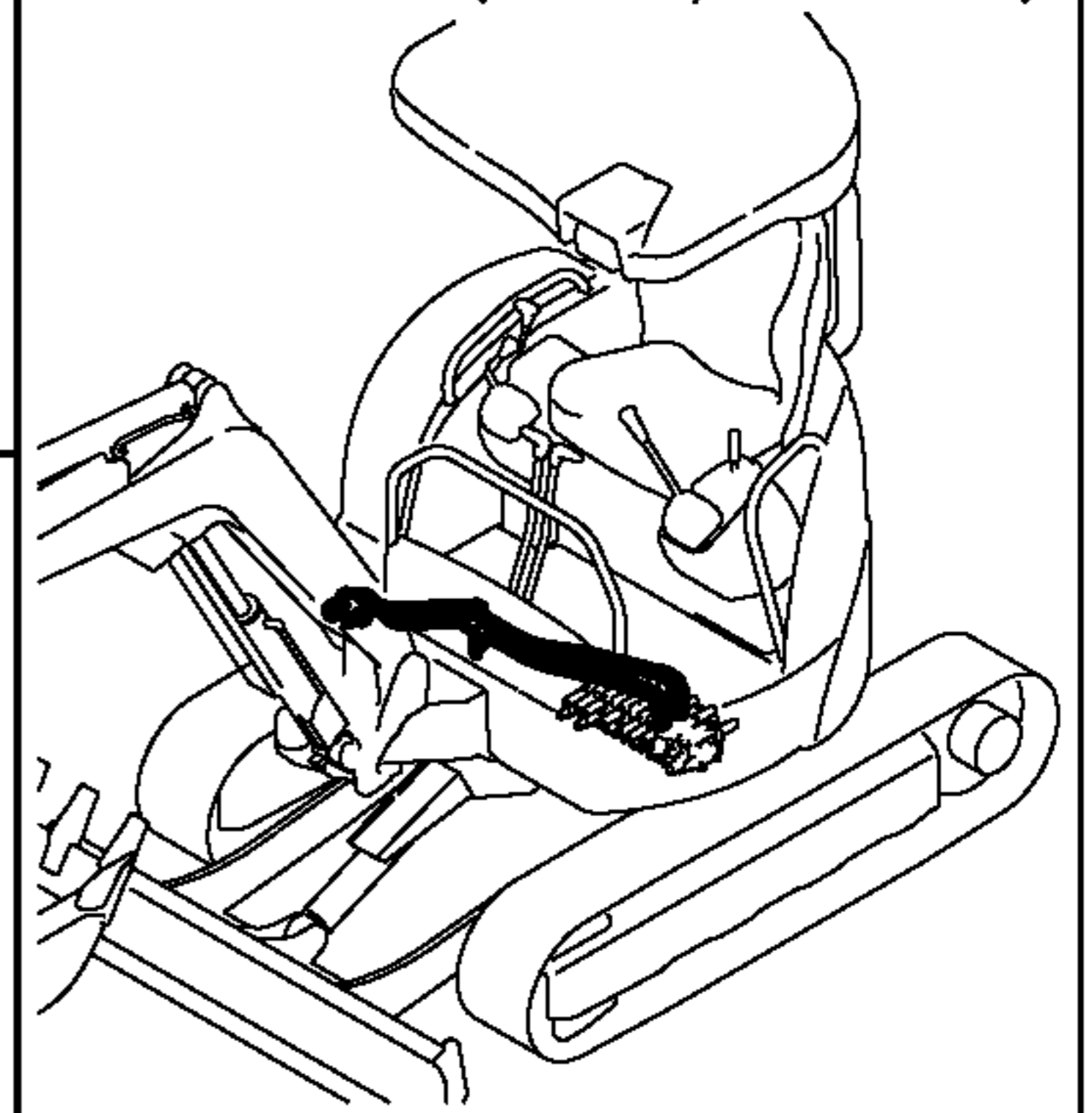


Fig. **88** 油圧配管 (PTO, フレームエンド)  
HYD. OIL PIPING  
(P. T. O. , FRAME END)



172456-08720  
P T Oキット (フレームエンド)  
P. T. O. KIT (FRAME END)

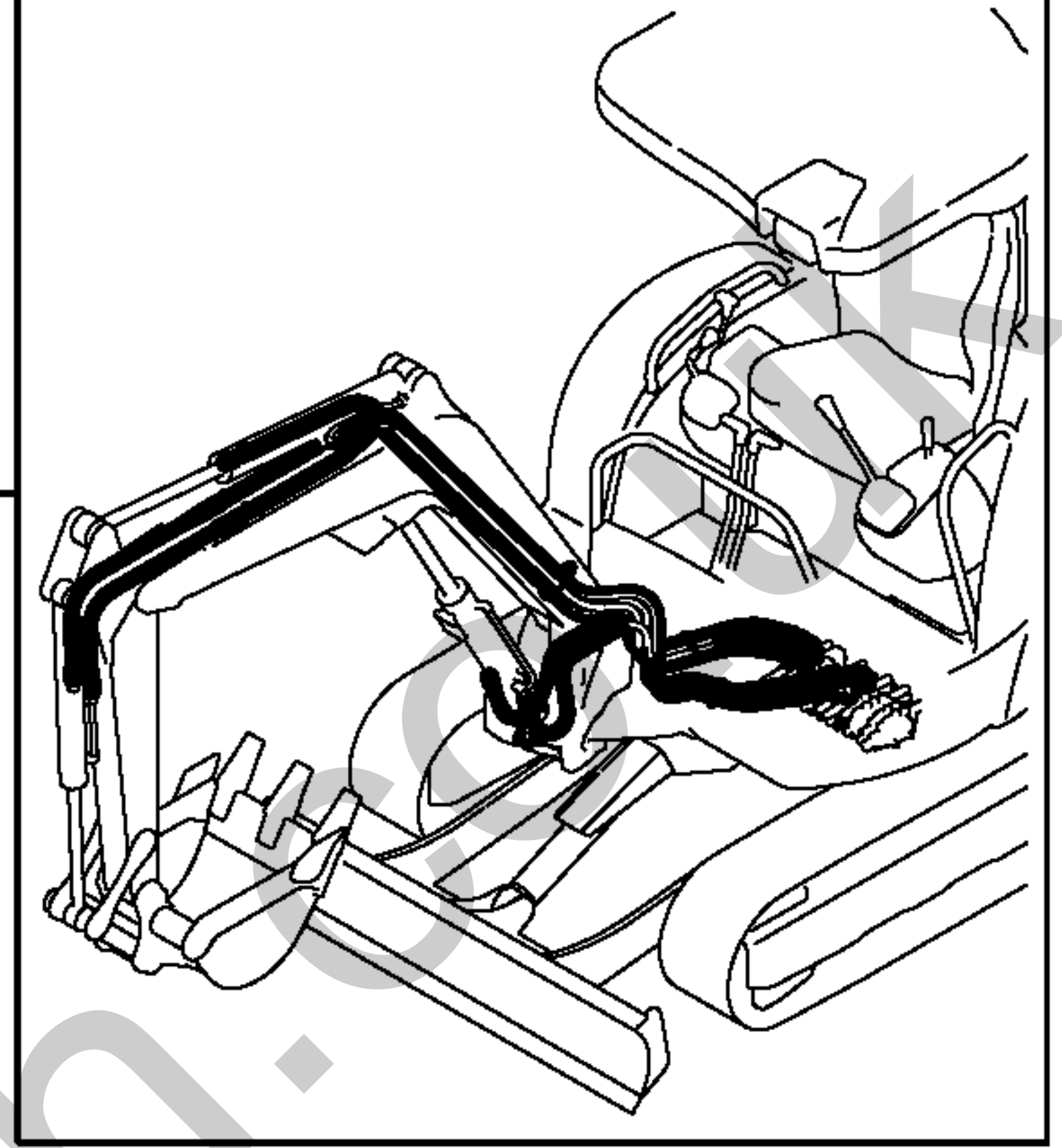
P T O配管のまったく付いていない  
標準仕様に、フレームエンドまでの  
配管、リンク及びカバーを加える  
改装部品です。

PARTS IN ORDER TO ADD PIPING,  
LINK & COVER OF REAME END  
TO STANDARD SPEC.  
WITH NO P. T. O. PIPING.

1,1,,172456-08800,, "LONG ARM KIT",1,1,,,,,1,,,,,I  
 2,2,,172010-01640,, SPACER,1,1,,,,,I  
 3,2,,172456-78510,, "HOSE H206BB094W",2,2,,,,,I  
 4,2,,172183-81160,, "TREE CLIP",4,4,,,,,I  
 5,2,,172171-81270,, O-RING,2,2,,,,,I  
 6,2,,172164-81670,, SPACER,1,1,,,,,I  
 7,2,,172456-81770,, "PIN 40X116 ASSY",1,1,,,,,I  
 8,2,,172456-81810,, "PIN 35X116 ASSY",1,1,,,,,I  
 9,2,,172165-82580,, "SHIM 40X75X0.5",1,1,,,,,I  
 10,2,,172165-82590,, "SHIM 40X75X1.2",1,1,,,,,I  
 11,2,,172165-82600,, "SHIM 40X75X1.6",1,1,,,,,I  
 12,2,,172456-83200,, "ARM ,1200 (GREEN:97)",1,1,,,,,I  
 13,3,,172171-81280,, "SEAL 35X45X4",,4,,,,,I  
 13-1,3,,172448-81610,, "SEAL  
 35X45X4,DUST",4,4,,,,,R,,,,72449038,M/#21808,,,,,I  
 14,3,,172456-81650,, "BUSHING 40X50X45",2,2,,,,,I  
 15,3,,172165-81750,, "SEAL 40X50X5, DUST",,2,,,,,I  
 15-1,3,,172448-72650,, "SEAL  
 40X50X4,DUST",2,2,,,,,R,,,,72449038,M/#21808,,,,,I  
 16,3,,172141-82270,, "BUSH 35 45",4,4,,,,,I  
 17,2,,172141-84601,, "SHIM 35",1,1,,,,,I  
 21,2,,22157-100000,, "WASHER 10",1,1,,,,,I  
 22,2,,22157-120000,, "WASHER 12",1,1,,,,,I  
 23,2,,24761-040000,, "NIPPLE B,GREASE",1,1,,,,,I  
 24,2,,26013-100252,, "BOLT W/WASHER M10X25",1,1,,,,,I  
 25,2,,26013-100252,, "BOLT W/WASHER M10X25",1,1,,,,,I



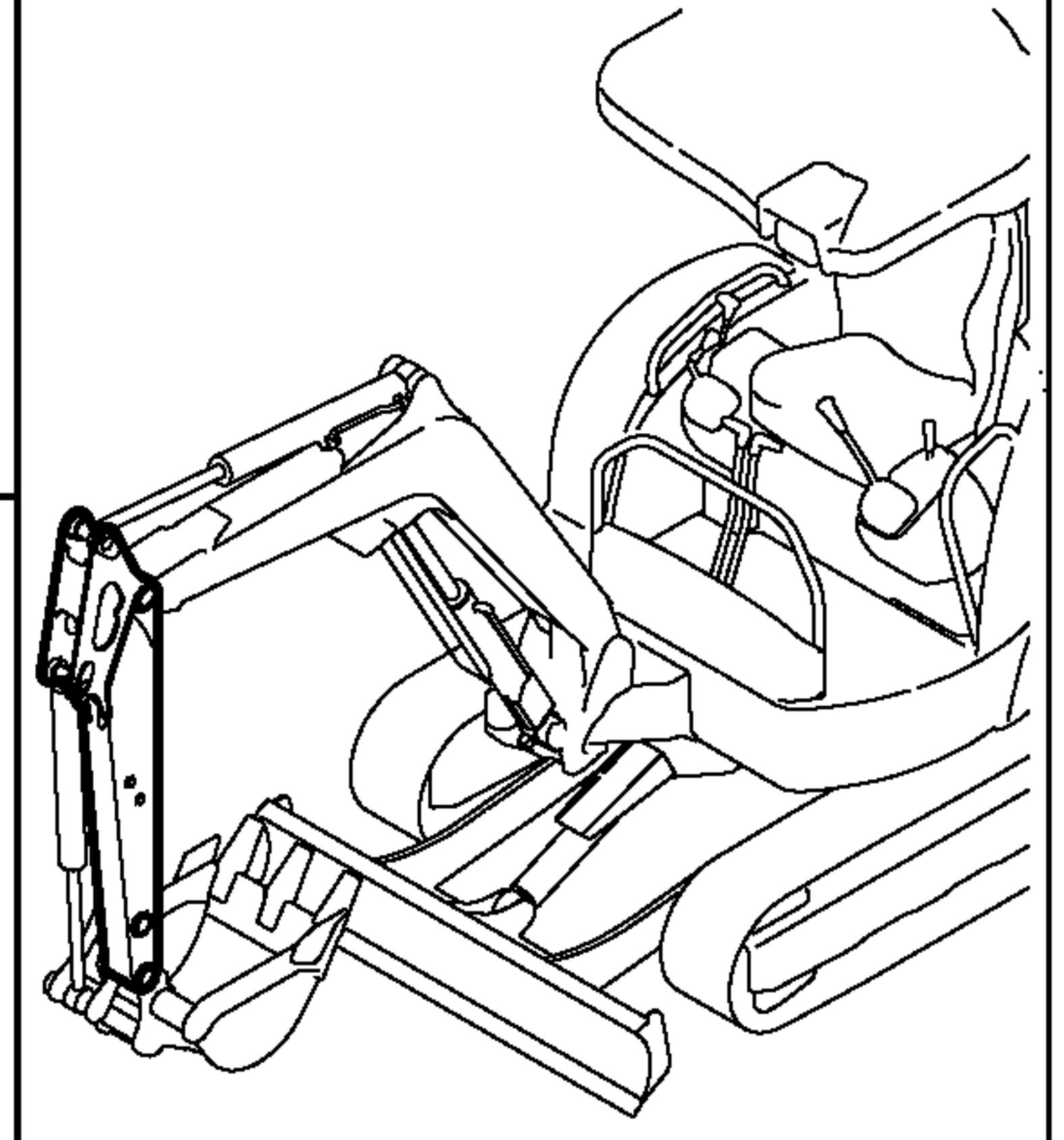
Fig. 90 油圧配管(ブーム)  
HYD. OIL PIPING (BOOM)



1

172456-08800  
ロングアームキット  
LONG ARM KIT

Fig. 101 アーム(ロングアーム仕様)  
ARM (LONG ARM SPEC.)





[ Info ]  
PcNo=Y00K3762  
PcName=VIO20-2(JP,EX)  
JpnUse=1  
JpnSec1=Ēš<@  
JpnSec2=fofbfNfz [ ]  
JpnSec3=VIO  
JpnPreface=1  
EngUse=1  
EngSec1=CONSTRUCTION  
EngSec2=EXCAVATOR (Vio)  
EngSec3=VIO  
EngPreface=1

Silverhorn.CO.UK